

Vivian® Thermostatic Mixing Valve Trim

FEATURES

- Temperature control trim with anti-scald safety stop
- Lever handle
- For use with the Thermostatic Mixing Valve (TSST)

COLORS/FINISHES

- #CP Polished Chrome
- #BN Brushed Nickel
- #PN Polished Nickel

CODES/STANDARDS

- Meets or exceeds ASME A112.18.1/CSA B125.1
- Certifications: IAPMO(cUPC), State of Massachusetts and others
- Code Compliance: UPC, IPC, NSPC, NPC Canada, and others
- ADA compliant



PRODUCT SPECIFICATION

Thermostatic mixing valve trim shall have anti-scald safety stop. Product shall have a lever handle. Product shall be TOTO Model TS220T#____ and required valve shall be TSST sold separately.

TS220T

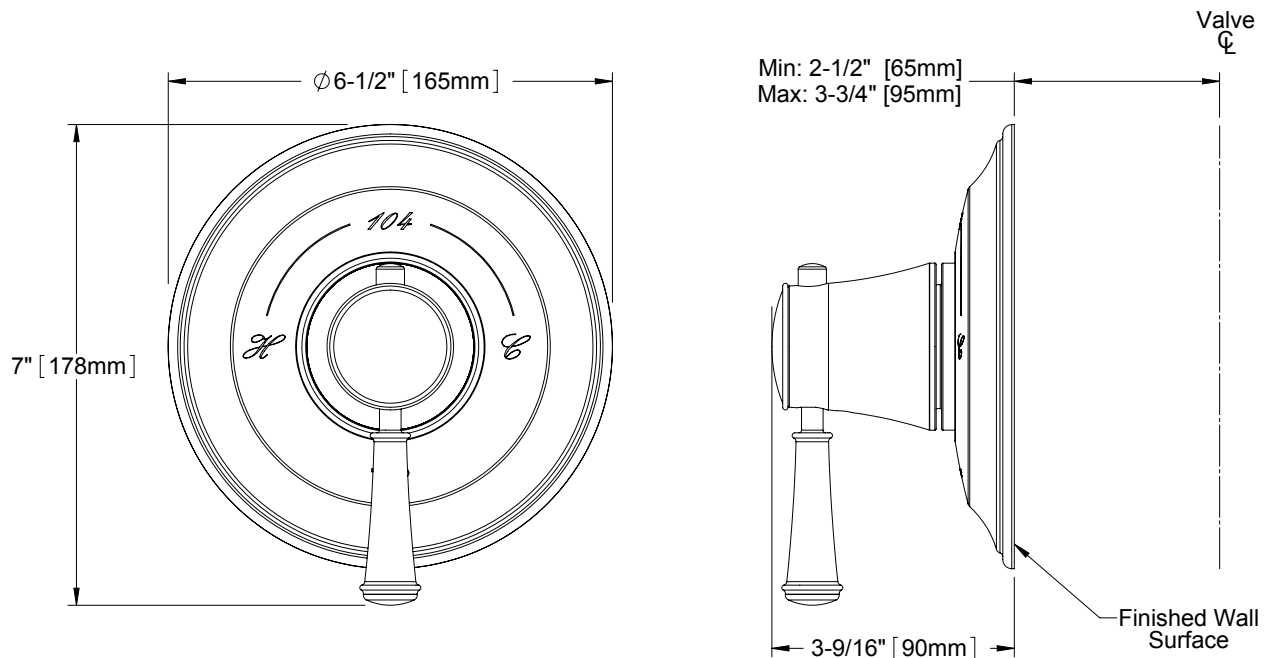
Vivian® Thermostatic Mixing Valve Trim

SPECIFICATIONS

- Warranty Lifetime Limited Warranty (Residential Use)
One Year (Commercial Use)
- Material Brass
- Shipping Weight 2.3 lbs.
- Shipping Dimensions 8-1/2"L x 7-1/2"W x 5-1/2"H

INSTALLATION NOTES

VALVE REQUIRED:
1/2" Thermostatic mixing valve model TSST sold separately.



TOTO®

These dimensions and specifications are subject to change without notice