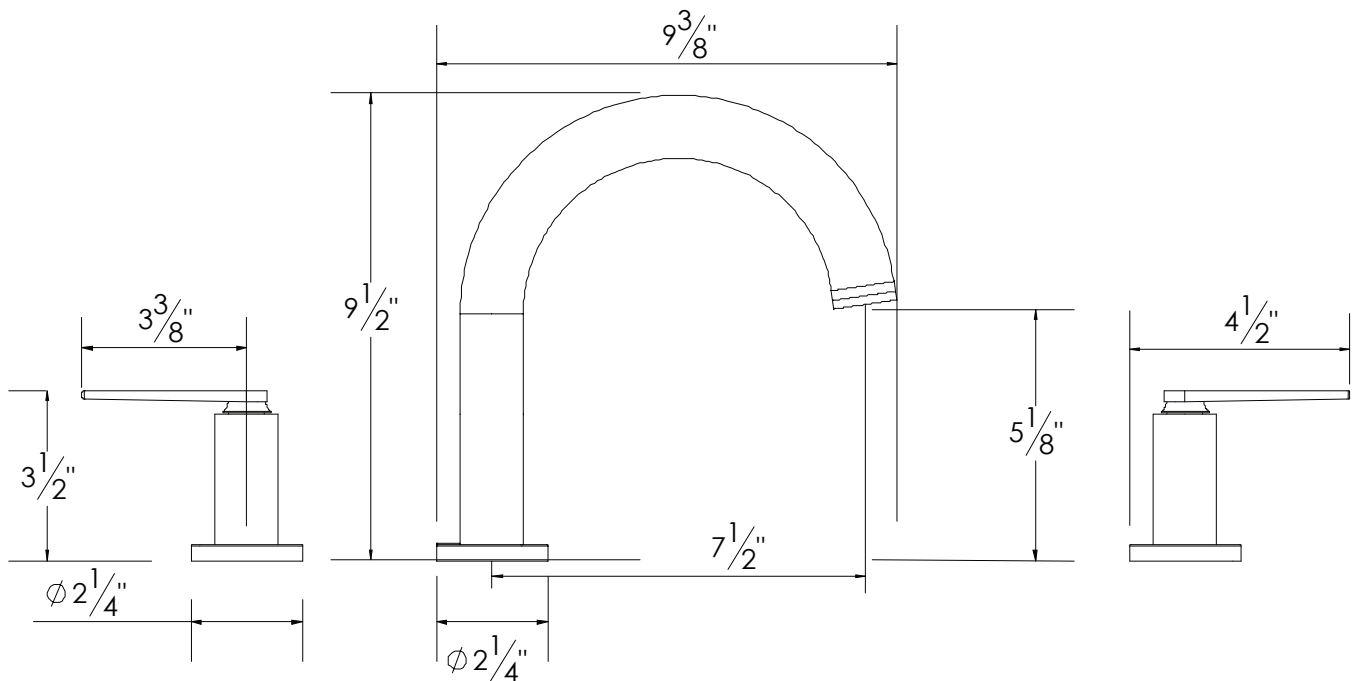


PRODUCT SPECIFICATION SHEET

ITEM # 4550HN-TM TRIM Roman tub filler

- "HO" style handles
- 16 GPM
- ROUGH NOT INCLUDED
- USE P0006 ROUGH



The measurements shown are for reference only. Products and specifications shown are subject to change without notice.