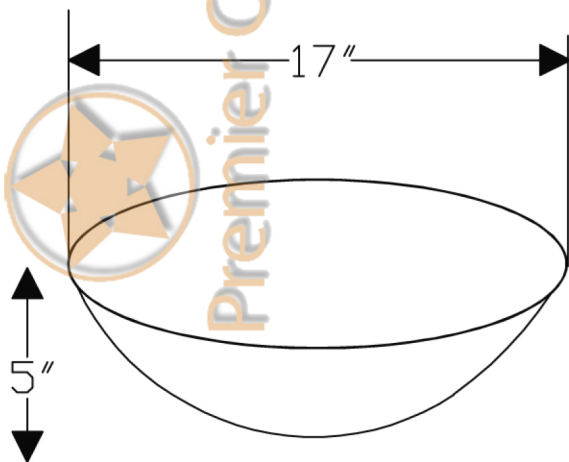
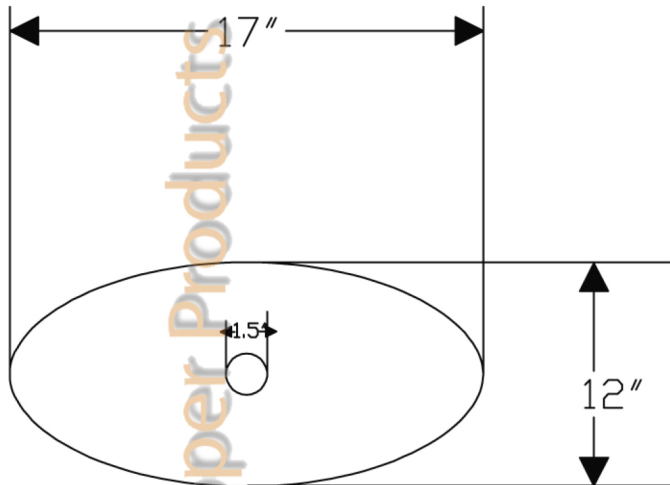




PREMIER
COPPER PRODUCTS

MODEL NUMBER: VO17WEN

- * Description: Oval Wired Rimmed Vessel Hammered Copper Sink in Electroless Nickel
- * Outer Dimensions: 17" x 12" x 5"
- * Inner Dimensions: 17" x 12" x 5"
- * Drain Opening: 1.5" w/o Overflow
- * Finish: Electroless Nickel



This product is hand crafted, small variances in color and size may occur.
Dimensions may vary up to 1/4". Do not make any installation cuts until you receive your item(s).