

Features

- Brushed nickel finish
- Solid brass body
- Modern design
- Lever style handle
- 1 hole mount (escutcheon included)
- Flexible hose included
- 1.2 GPM max flow rate
- Ceramic disc technology cartridge

Standards/Codes


- CSA certified
- US standards approved
- NSF/ANSI 372-2016 standards
- ASME A112.18.1-2018/CSA B125.1-18
- California drought compliant
- Low lead compliant
- US safe drinking water act compliant
- Meets standards set by ADA

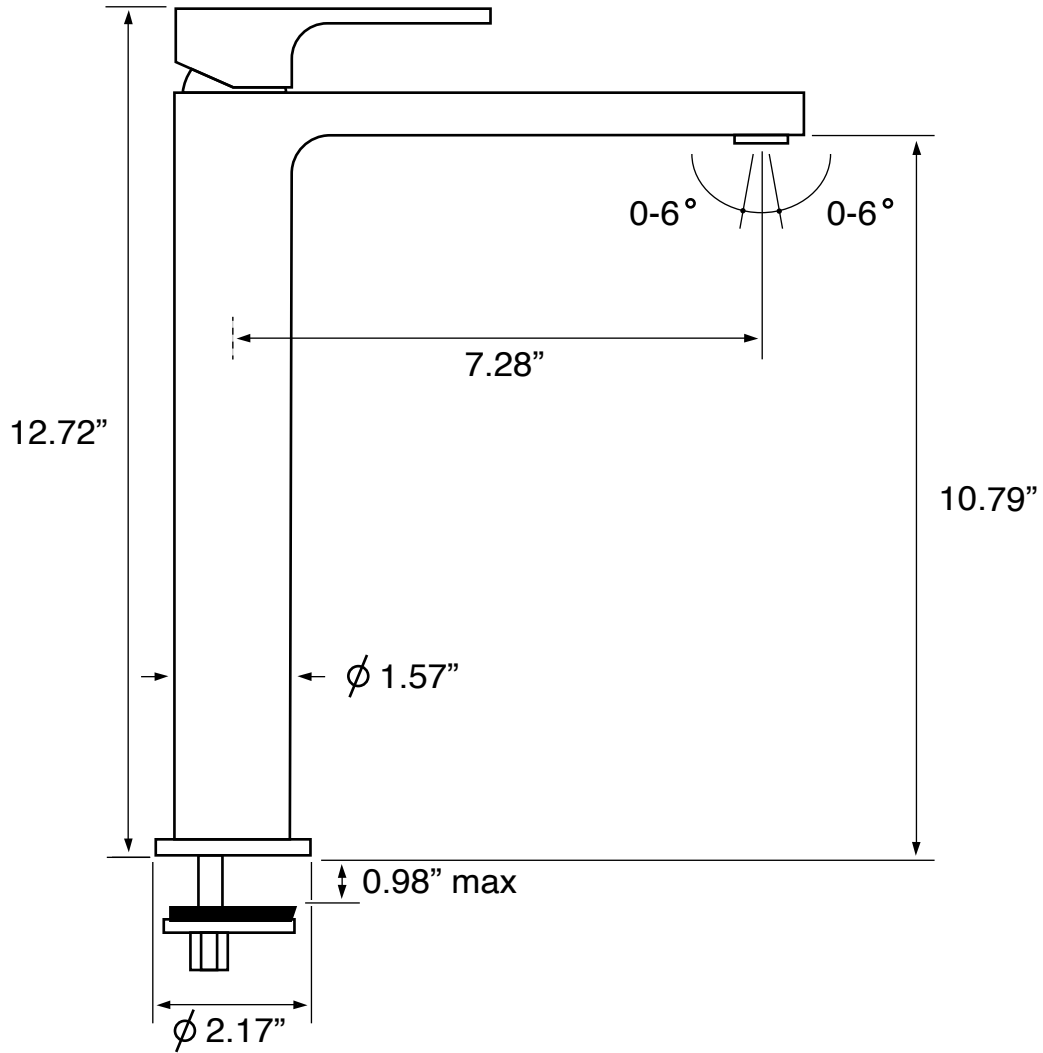


Nameek's One-Year Limited Warranty

See website for warranty information details.

Color/Finish Details

Color	Code	Description
	NB	Brushed nickel



Technical Information

Installation:	Deck mount One hole
Spout dimensions:	Reach: 7.28" Height: 10.79"
Handle style:	Lever
Weight:	7.5 lbs

Notes

Install this product according to the installation instructions.