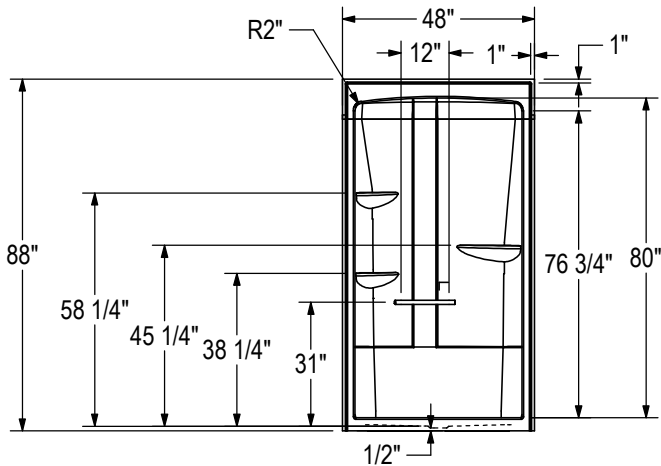
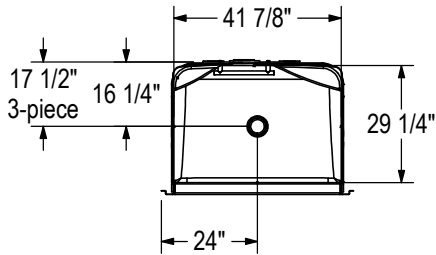
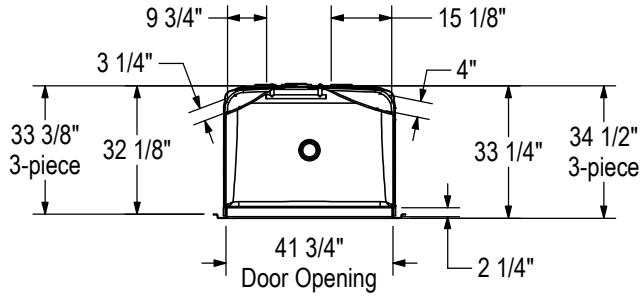
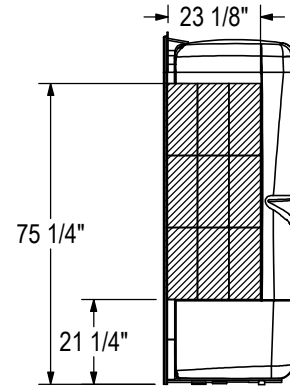


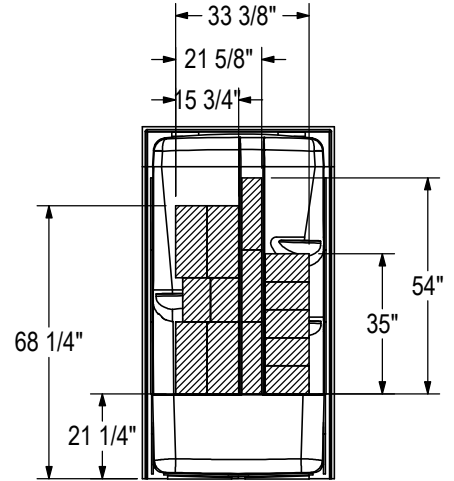
STANDARD
1-PIECE MODEL SHOWN



OPTIONNAL REINFORCEMENT
(Left shown, Right symmetrical)



OPTIONNAL REINFORCEMENT
(Back Wall)



All dimensions are approximate. Structure measurements must be verified against the unit to ensure proper fit.