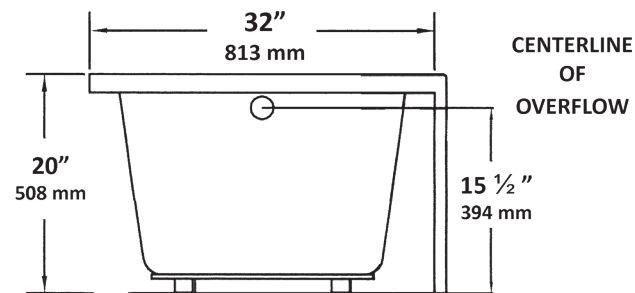
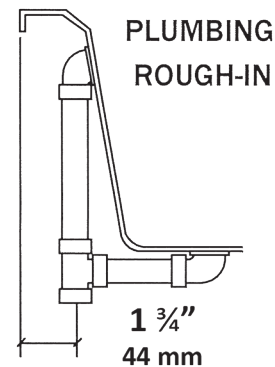
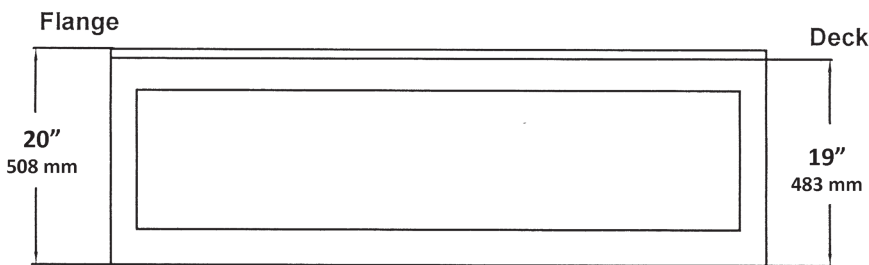
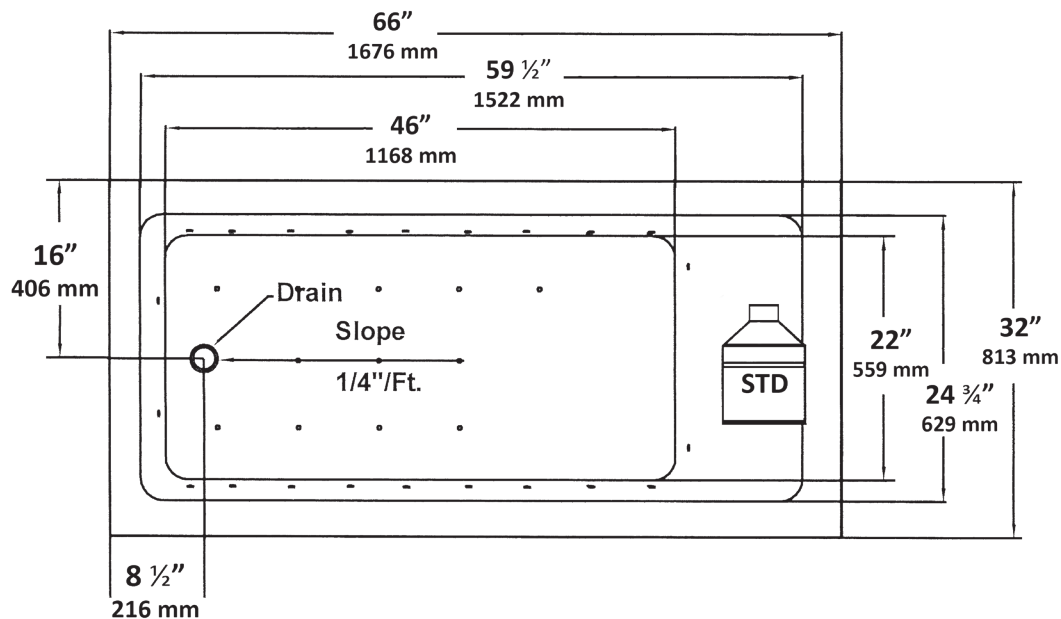


PRO-FIT[®] AIR MASSAGE BATH

3266 TFS 66" x 32" x 20"

Model number: 6456 LH, 6457 RH



Notes:

1. Blower location shown for clarity.
2. Required blower motor access is 20" W x 15" H.
3. Measurements may vary 1/4" (+/-)
4. Apron is integral with optional removable access panel.
5. Removable access panel provides access to blower/motor.
6. Specify LH or RH drain when ordering.

SPECIFICATIONS:

Dimensions:	66" x 32" x 20"	Number of jets:	32
Material:	Acrylic, fiberglass reinforced	Weight:	Air Bath - 95 lbs. (45 kg)
Blower Motor:	120 V, 60 HZ, 8.0 Amp, 200 Watt, Single Speed, Premounted	Water Capacity:	60 gals max., 40 gals min. (227/151 liters)
Electrical Requirements:	120 V, 15 Amp, GFCI Protected	Floor Loading:	47 lbs./sq.ft. (229 kg/m ²)
On/Off Control:	Air Switch	Shipping Weight:	135 lbs. (62 kg)