

# Models 6124/6125, 6124A/6125A, 6624/6625

## PRO-FIT® 4260 TFS

Rectangular Whirlpool or Bathtub



### Features



- 59-3/4" x 42" x 21-1/4" Rectangular whirlpool or bathtub
- Six powerful Ultra-Swirl jets
- Optional removable apron
- Dual air knobs for total jet control
- Limited One-Year Warranty
- Available in standard colors: white, almond, biscuit and bone



Model 6124  
(Shown with trim upgrade and Lift and Turn drain)



### Options

#### Lift and Turn Drain

Model #	Description		Model #	Description	
PF1320	Polished Chrome		PF1330	Access Panel on Apron	
PF1321	Everbrass (PVD)				
PF1322	Brushed Nickel				
PF1323	Oil Rubbed Bronze				

### Whirlpool Option

#### Metal Trim

Model #	Description		Model #	Description	
PF1335	Polished Chrome		SWP151	In-line Water Heater	
PF1336	Everbrass (PVD)				
PF1337	Brushed Nickel				
PF1338	Oil Rubbed Bronze				






# Models 6124/6125, 6124A/6125A, 6624/6625

## PRO-FIT® 4260 TFS

Rectangular Whirlpool or Bathtub

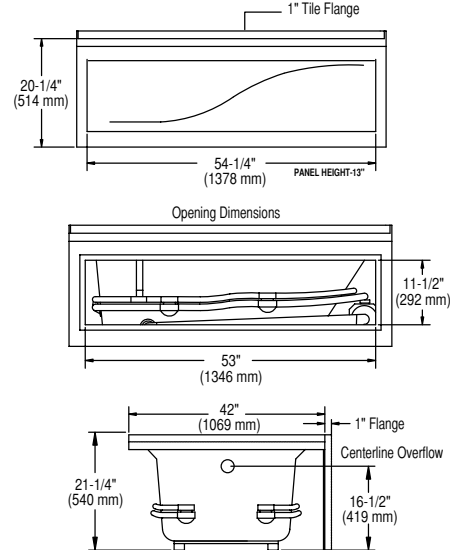
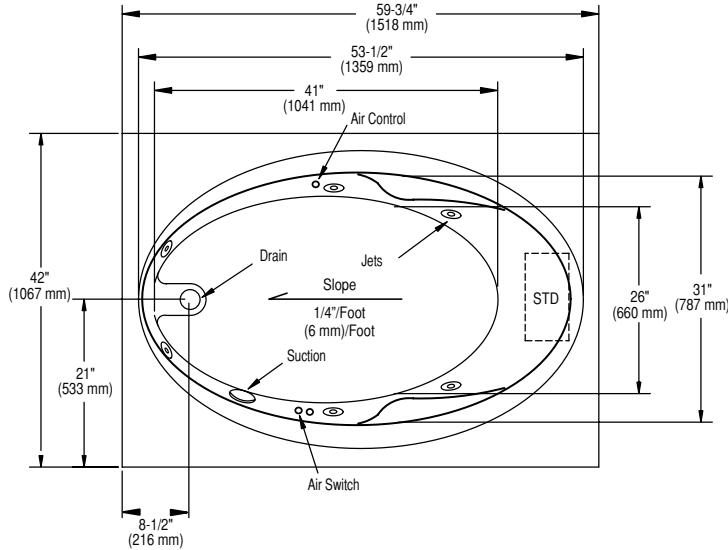


### Specifications

Model #	Description	Codes/Standards
6124	59-3/4" x 42" x 21-1/4" TFS Lefthand rectangular whirlpool without panel	  
6125	59-3/4" x 42" x 21-1/4" TFS Righthand rectangular whirlpool without panel	
6124A	59-3/4" x 42" x 21-1/4" TFS Lefthand rectangular whirlpool with access panel	
6125A	59-3/4" x 42" x 21-1/4" TFS Righthand rectangular whirlpool with access panel	
6624	59-3/4" x 42" x 21-1/4" TFS Lefthand rectangular bathtub	
6625	59-3/4" x 42" x 21-1/4" TFS Righthand rectangular bathtub	

Specification	Description	Specification	Description
Material	Acrylic, fiberglass reinforced	Number of Jets	6
Construction	Self-contained, pre-plumbed whirlpool bath mounted on a pre-leveled base	Water Capacity	42 gal. (min.) / 55 gal. (max.)
Pump Motor	Single speed, 120 volt, 60 HZ, 5.8 amp, premounted	Floor Loading Weight	47 lbs. / sq. ft. (229 kg/m <sup>2</sup> )
Electrical Requirements	120 volt, 15 AMP, GFCI protected circuit	Shipping Weight	whirlpool - 168 lbs. bathtub - 148 lbs.
On/Off Control	Air Switch	Warranty	Limited One Year

### Technical Information



Unit is standard with removable access panels.  
 Pump locations are shown for clarity. STD - standard pump location  
 Notes: Due to integral flange, a nailing flange is not available on this unit.

Measurements may vary 1/4" (+/-)

Install this product according to the installation guide.

These dimensions are nominal and subject to change without notice.

When tested for compliance to the requirements of ASME A112.19.7M for "Whirlpool Bath Appliances" and ANSI Z124.1.2M "American National Standard for Plastic Bathtub and Shower Units", the tested units are found to comply and are acceptable for listing under IAPMO R & T.

Certified for permanent electrical connection only.

Please visit our website to view IAPMO certification information – [www.mansfieldplumbing.com](http://www.mansfieldplumbing.com)



**MADE IN USA**