

# 146-123

## Quantum®

Round Front, Vitreous China, Two-Piece Toilet



### Features

- High performance, pressure-assist Flushmate III™ flushing technology
- 1.6 gpf / 6.0 lpf low water consumption
- Round front bowl
- 12" rough-in
- 2-1/8" glazed trapway
- Trip levers
  - Model 45 left hand, chrome-plated metal
  - Model 49 right hand, chrome-plated metal
  - Model 47 push button actuator, chrome-plated plastic
- The Mansfield® limited lifetime warranty
- Available in White and Standard Colors: Biscuit, Bone




Round Front



Model 146-123  
Toilet seat not included

### Components

Model #	Description	Codes/Standards
146-123	Round front, pressure-assist toilet. Less toilet seat and supply. Specify color.	
146	Round front, pressure-assist bowl only. Less toilet seat. Specify color.	
123	Pressure-assist tank and cover only with left hand, chrome-plated metal trip lever. Less supply. Specify color.	
123RH	Same as model 123, except with right hand chrome-plated, metal trip lever.	
122	Same as model 123, except with chrome-plated plastic push button actuator.	




**MADE IN USA**

# 146-123 Quantum®

Round Front, Vitreous China, Two-Piece Toilet

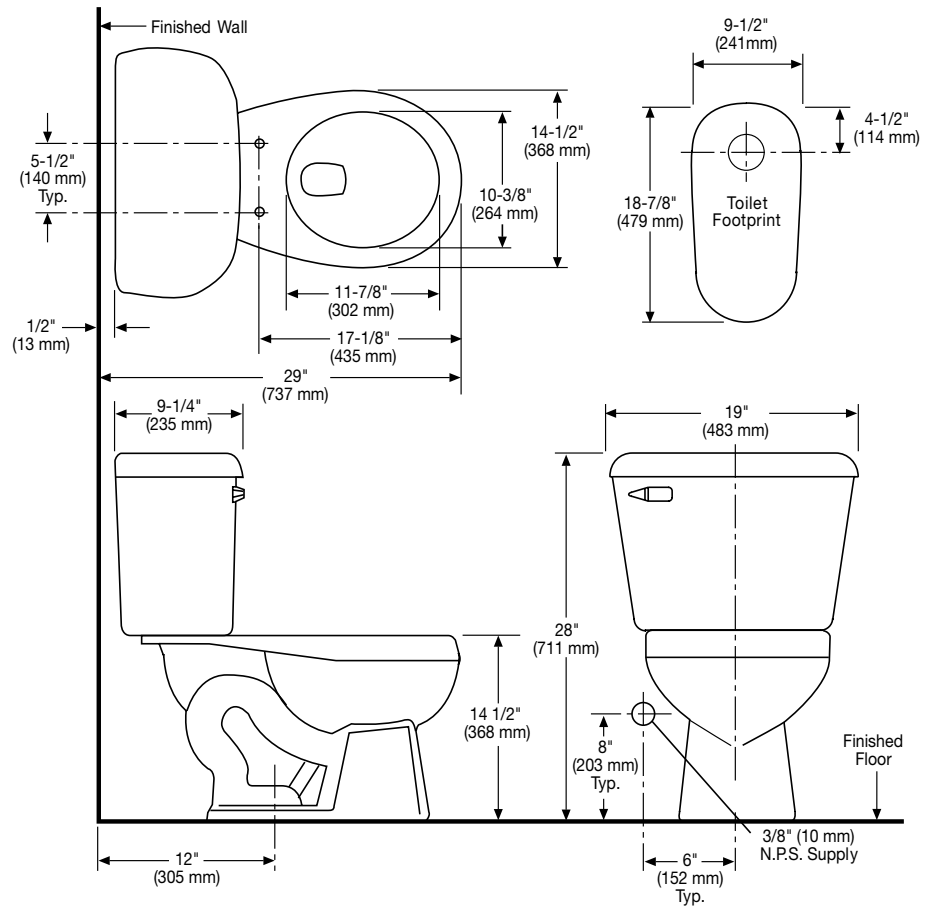


## Specifications

Model #	Description	Codes/Standards
146-123	Elongated front (1.6 gpf/6.0 lpf) two-piece toilet	

Specification	Description	Specification	Description
Material	Vitreous China	Trap Diameter	2-1/8"
Water Pressure Range	35 to 80 PSI	Trap Seal	2-3/4"
Flush System	Flushmate III™ pressure assist vessel	Shipping Weight	Model 146 - 51 lbs. (23 kg)
Water Usage	1.6 gpf / 6.0 lpf		Model 122/123/123RH - 43 lbs. (19.5 kg)
Water Surface Area	9-3/4" X 11-1/2"	Warranty	Vitreous China - Limited Lifetime
Rough-in	12"		Tank Trim - Limited One Year

## Technical Information



See our complete line of acrylic and vitreous china bathroom fixtures, plastic tank trim and plumbing products.

These dimensions are nominal and subject to change without notice.

Fixture performance and specifications meet or exceed ASME A112.19.2-2008/CSA B45.1-08 standards, and other state and local codes.



**MADE IN USA**