

Features

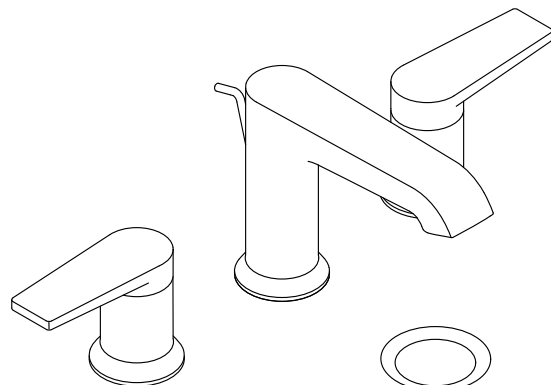
- Two lever handles allow for both volume and temperature control.
- UltraGlide™ engineered ceramic disc valves resist deterioration and mineral buildup, resulting in long-lasting, reliable performance.
- Handles pre-assembled on valves to simplify installation.
- Includes metal pop-up drain with 1-1/4" tailpiece.
- 1.2 gpm (gallons per minute) maximum flow rate at 60 psi.
- Coordinates with Pitch™ bath and shower trim.

Material

- Premium metal construction.
- KOHLER finishes resist corrosion and tarnishing.

Installation

- Widespread.
- For 8" - 16" centers.



ADA CSA B651 OBC

Codes/Standards

ASME A112.18.1/CSA B125.1
NSF/ANSI 61
NSF/ANSI 372
All applicable US Federal and State material regulations
DOE - Energy Policy Act 1992
EPA WaterSense®
California Energy Commission (CEC)
ADA
ICC/ANSI A117.1
CSA B651
OBC



KOHLER® Faucet Lifetime Limited Warranty

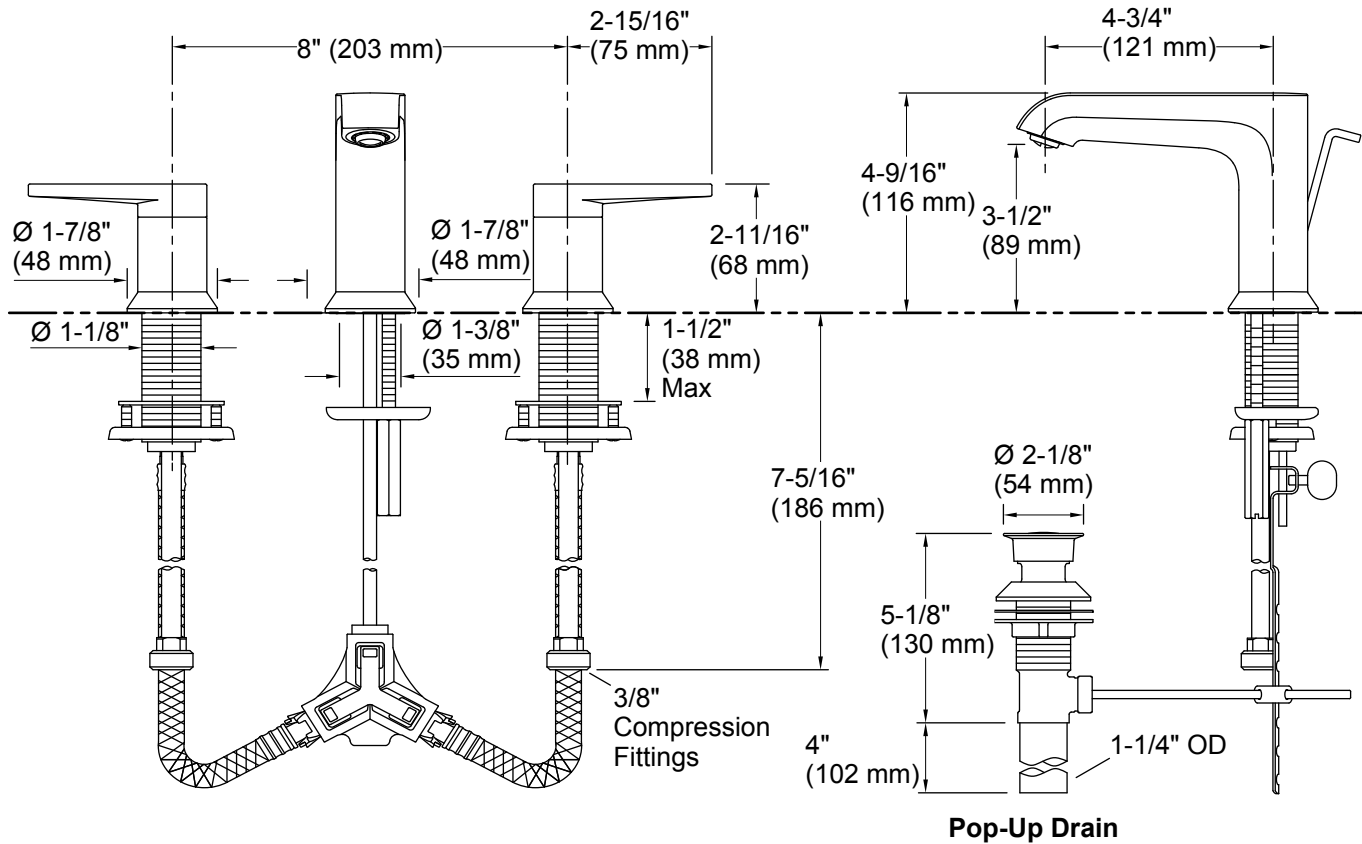
See website for detailed warranty information.

Available Colors/Finishes

Color tiles intended for reference only.

Color Code Description

	CP	Polished Chrome
	BN	Vibrant® Brushed Nickel



Technical Information

All product dimensions are nominal.

Faucet:

Flow rate: 1.2 gal/min (4.5 l/min)

Pressure: 60 psi (4.1 bar)

Drain with overflow: Yes

Spout:

Spout reach: 4-3/4" (120 mm)

Handle clearance: 2-15/16" (75 mm)

Notes

Install this product according to the installation instructions.

ADA, OBC, CSA B651 compliant when installed to the specific requirements of these regulations.