

Installation Instructions

Touchless Soap Dispenser AC Power

Record your model number:

Noter le numéro de modèle:

Anote su número de modelo: _____

Français, page 28

Español, página 56

KOHLER®

Thank You for Choosing KOHLER

Need help? Contact our Customer Care Center.

USA/Canada: 1-800-4KOHLER (1-800-456-4537)

Mexico: 001-800-456-4537

For service parts information, visit kohler.com/serviceparts.

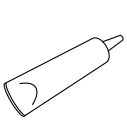
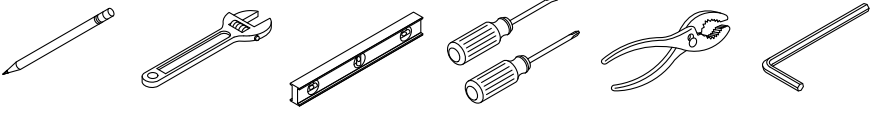
For care and cleaning information, visit kohler.com/clean.

Warranty

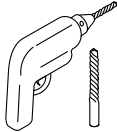
This product is covered under the **KOHLER® Electronic Faucets, Valves, and Controls Five-Year Limited Warranty**, found at kohler.com/warranty.

For a hardcopy of warranty terms, contact the Customer Care Center.

Tools and Materials



Sealant



1/4"



1-1/4" Hole Bit

Plus:

- Wood Brace Materials
- Woodworking Tools
- #8 Wood Screws
- 1-1/2" ID or 1-1/4" OD PVC Tubing and 90 Degree Elbow
- U-Clamp
- Electrical Tape
- Hacksaw
- Foaming Hand Soap (1 cP – 100 cP)
- Single AC Supply SKU 13480-NA
- Multi-Outlet AC Supply SKU 13481-NA

Before You Begin



WARNING: When using electrical products, basic precautions should always be followed, including the following:



DANGER: Risk of electric shock. Connect only to a circuit protected by a Ground-Fault Circuit-Interrupter (GFCI)*.

*Outside North America, this may be known as a Residual Current Device (RCD).



WARNING: Risk of electric shock. Grounding is required. A qualified electrician should make all electrical connections.



WARNING: Risk of electric shock. Disconnect the power before servicing.



WARNING: Risk of injury or property damage. Read all instructions thoroughly before beginning installation.



CAUTION: Risk of product damage. This product contains sensitive electronic components. Do not store open containers of chemical or cleaning products near this product.

IMPORTANT! Your product may appear different than illustrated. The installation procedure is the same. Consult the specification sheet for rough-in dimensions for your model requirements.

Provide a constant unswitched 120 VAC electrical outlet located below the sink within 5' (1.5 m) of the control box.

Follow all local plumbing and electrical codes.

Soap Requirements



CAUTION: Risk of product damage. The foaming hand soap must have a dynamic viscosity rating between 1 centipoise – 100 centipoise (cP) measured in cP or grams/cm-s units. Soaps with a dynamic viscosity greater than 100 cP can cause premature wear and damage to the soap dispenser components and may void the product warranty.



CAUTION: Risk of property damage. Only use liquid foaming hand soap that contains no suspended particles or microbeads. Do not use non-foaming liquid hand soaps, which typically have a dynamic viscosity rating of 1000 cP – 3500 cP.

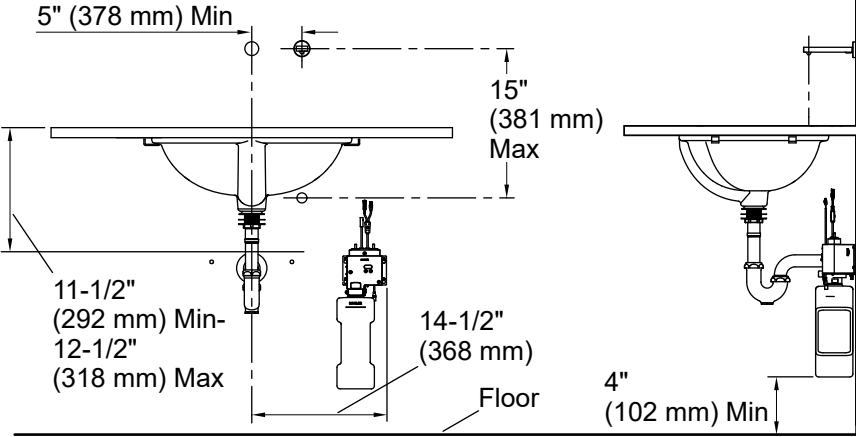


CAUTION: Risk of product damage. Do not use alcohol-based soap and/or soaps with alcohol.

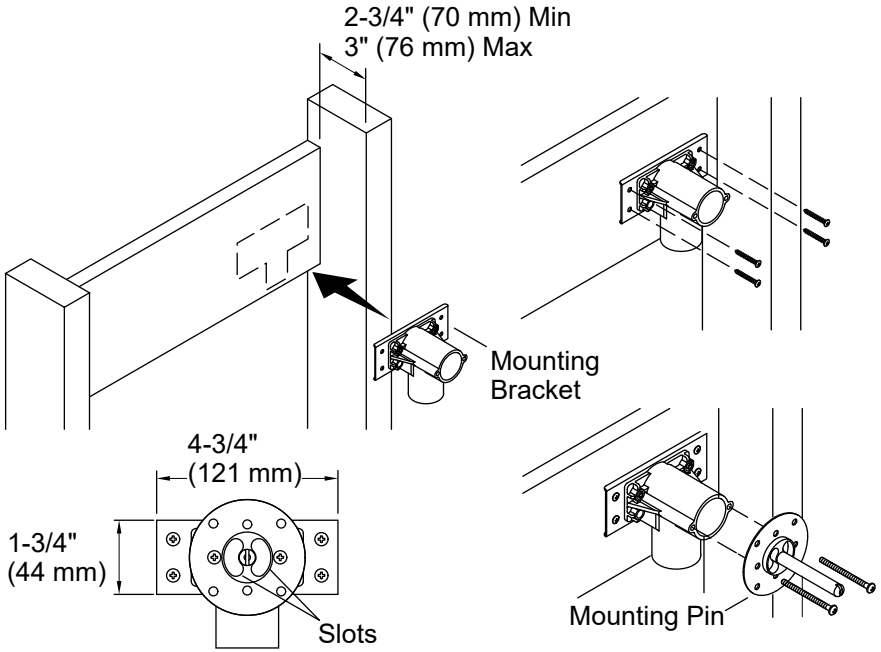
NOTE: Kohler foaming hand soaps are precisely formulated to work with this product and have a dynamic viscosity rating of 1 cP – 20 cP.

NOTE: See kohler.com for more information on recommended foaming hand soaps. Precise information on soap material properties and dynamic viscosity rating can be found on the soap manufacturers published material safety data sheets.

Roughing-In



1. Install the Mounting Bracket



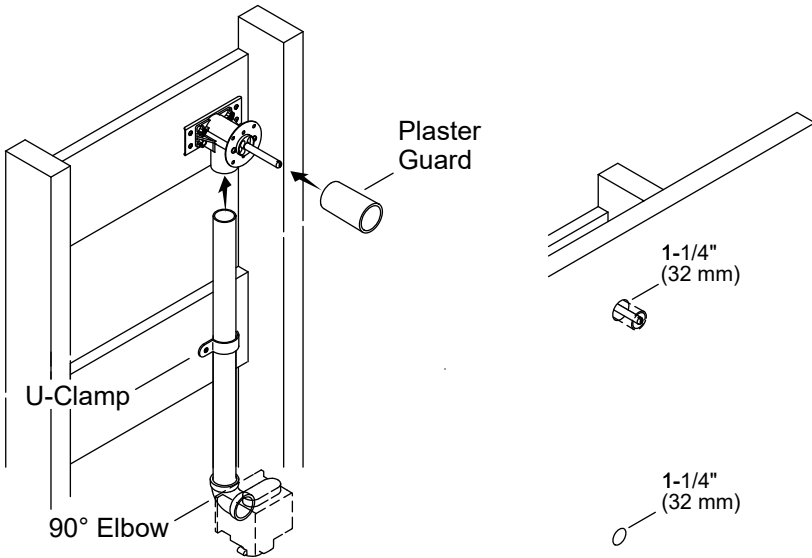
IMPORTANT! Your product may appear different than illustrated. The installation procedure is the same. Consult the specification sheet for rough-in dimensions for your model requirements.

- Construct the framing for your installation.
- Secure the mounting bracket to the framing using four wood screws- size #8.
- Remove the plaster guard.

NOTE: Verify the slot orientation as shown above.

- Secure the mounting pin to the mounting bracket using the two screws provided.

2. Install the Tubing (Recommended)



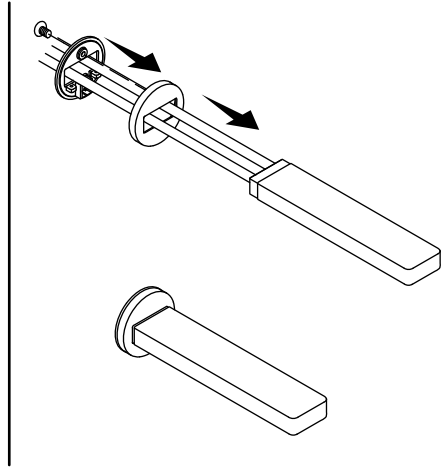
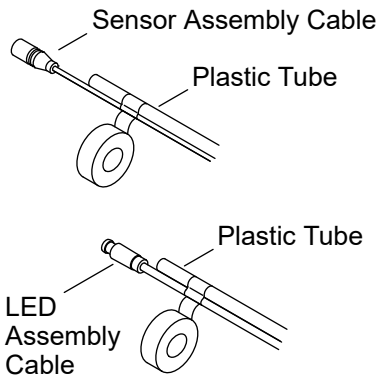
NOTE: PVC fittings and tubes (not provided) can be attached to the mounting bracket to route the spout cables and tubes to the control box. Consult the specification sheet to determine the control box location.

- Glue and connect a straight PVC tube to the mounting bracket as shown. Verify that the tube is long enough to reach the control box.
- Secure the PVC tube onto the mounting bracket with u-clamps (not provided).
- Glue a 90 degree PVC elbow at the end of the PVC tube at the control box installation location.
- Reinstall the plaster guard over the mounting pin.

NOTE: The finished wall thickness must be 1/4" (6 mm) minimum to 1-3/8" (35 mm) maximum.

- Finish the wall with a 1-1/4" (32 mm) hole for the spout.
- Finish the wall with a 1-1/4" (32 mm) hole for the cables and tubing.

3. Prepare the Spout

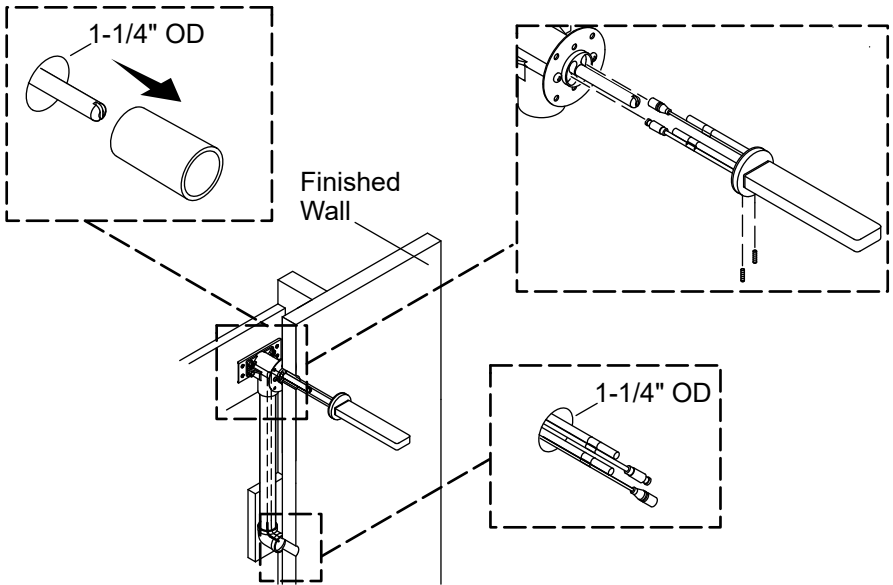


- For ease when routing the cables and tubes, use electrical tape to secure one of the cables to one of the tubes. Repeat for the remaining cable and tube.

NOTE: Do not damage the spout finish while installing the escutcheon.

- Route the cables and tubes through the escutcheon to install the escutcheon onto the spout.

4. Secure the Spout

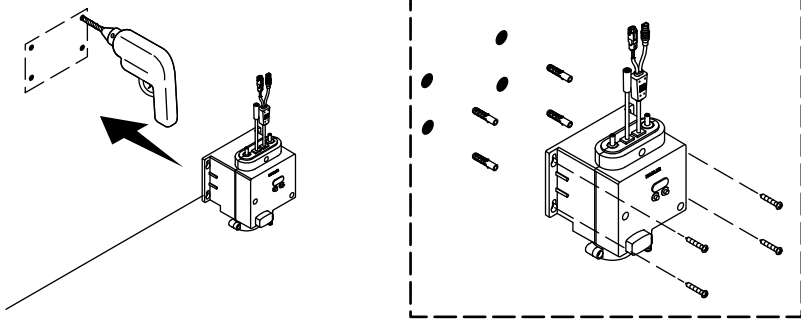


- Remove the plaster guard.

NOTE: Avoid pinching and twisting the cables and tubes when installing the spout.

- Feed the cables and tubes from the spout through the mounting bracket and down through the PVC tubing.
- Slide the spout assembly onto the mounting pin until flush with the wall.
- Pull the cables and tubes from the spout out through the hole leading to the control box location.
- If desired, add sealant to the underside of the escutcheon as needed. Wipe away any excess sealant.
- Tighten the two setscrews (provided) to secure the spout to the mounting bracket.

5. Install the Control Box

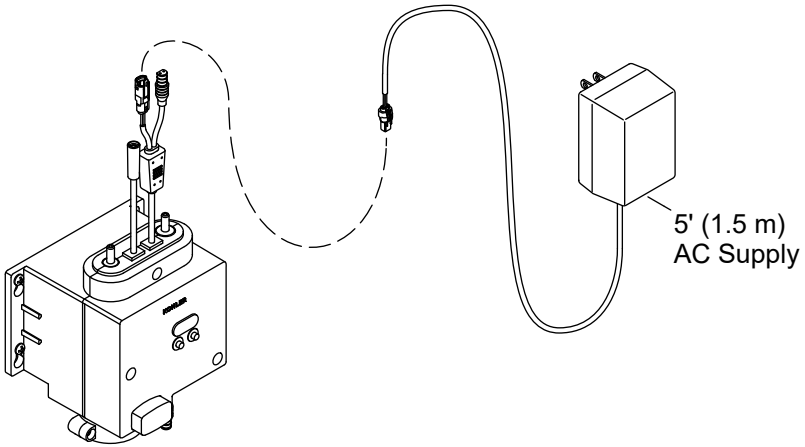


- Position the control box 11-1/2" (292 mm) minimum to 12-1/2" (318 mm) maximum below the deck. Check the Specification Sheet for the control box location.
- Mark the location of the mounting holes.

NOTE: The provided wall anchors are for concrete wall installation. Use the appropriate wall anchors depending on your wall material.

- Drill the holes per the anchor manufacturers instructions. If using the provided wall anchors, drill 1/4" (6 mm) pilot holes.
- Attach the control box to the wall as shown.
- Secure with the four screws provided.

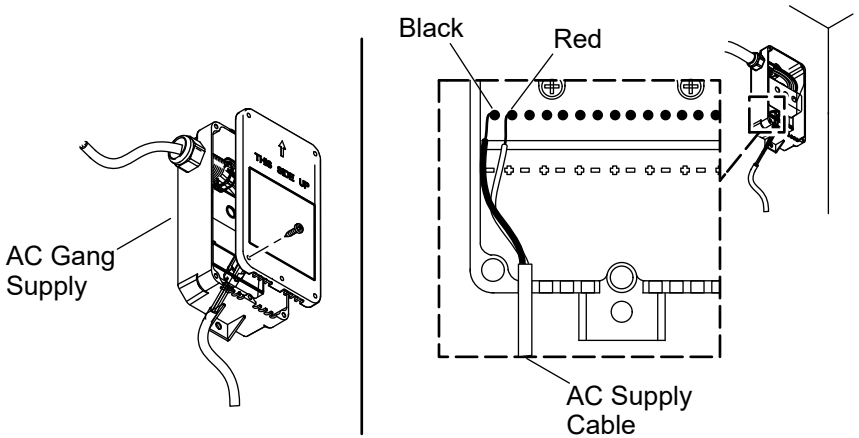
6. Install the AC Single Supply



IMPORTANT! Follow the correct power system installation based on your model. For a multi-output AC supply power unit installation, refer to “Install AC Multi-Output Supply.”

- Connect the power cord from the control box to the power cord from the Single AC Supply SKU 13480-NA. Maintain a drip loop when connecting.
- Plug the AC supply into an unswitched 120 VAC electrical outlet.
- Secure any excess wire under the deck.

7. Install the AC Multi-Output Supply



IMPORTANT! Follow the correct power system installation based on your model. For a single AC supply power unit installation, refer to Install the “AC Single Supply.”

IMPORTANT! Installation must not exceed two soap dispensers and two faucets on a multi-outlet supply.

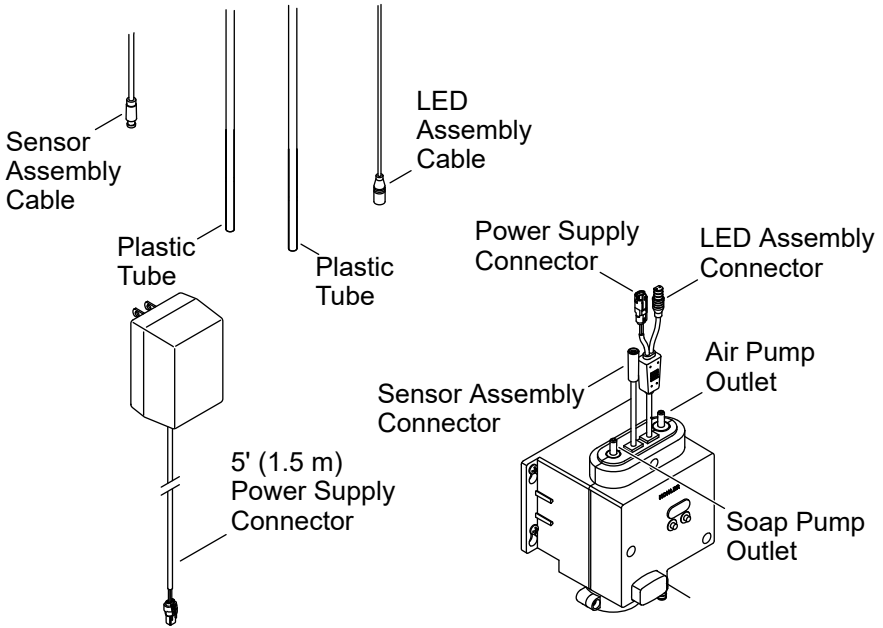
- Mount the AC supply under the deck using the two screws provided. Orient as shown.
- Remove the cover.
- Connect the faucet wire to the faucet. Maintain a drip loop when connecting.
- If needed, cut and strip the AC supply wires to length.
- Connect the stripped ends to the bottom terminal block in the supply box.
- Secure the terminal box cover to the terminal box.

NOTE: AC supply cables are available in lengths of 4' (1.2 m), 6' (1.8 m), 8' (2.4 m), 10' (3 m) and 12' (3.6 m).

- Connect the power cord from the control box to the power cord from the Multi-outlet AC Power Supply SKU 13481-NA. Maintain a drip loop when connecting.

- Plug the AC supply into an unswitched 120 VAC electrical outlet.
- Secure any excess wire under the deck.

8. Connect the Control Box Wires



IMPORTANT! Verify that the cables are not pinched when connecting to the control box.

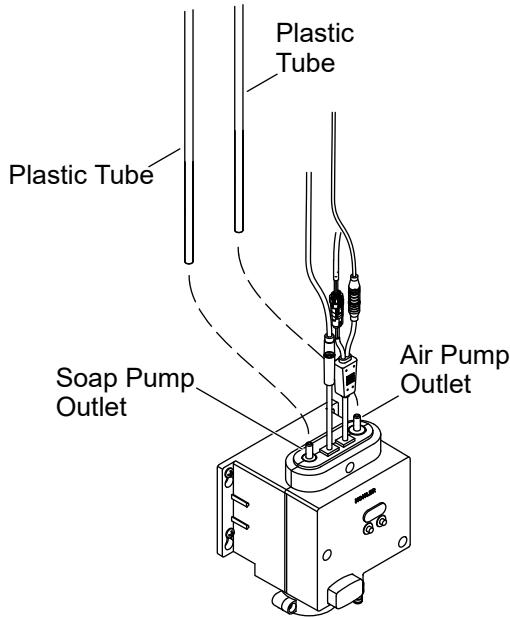
IMPORTANT! The area in front of the sensor must be free of objects during the 2 minute learning cycle or the soap dispenser may not function properly.

- Connect the sensor assembly cable from the spout to the sensor assembly connector from the control box.
- Connect the LED assembly cable from the spout to the LED assembly connector from the control box.
- Connect the power supply connector from the battery box to the power supply connector from the control box.
- Allow 2 minutes for the sensor to cycle through the automatic sensing distance.

NOTE: Once the power supply cords are connected, the base of the soap dispenser will flash red twice every six seconds. This is normal and is a signal that there is no soap in the reservoir. After the soap is filled and primed the flashing will stop.

- Secure any extra wire under the deck.

9. Connect the Tubes



NOTE: The plastic tubes are interchangeable. Either tube can be connected to the soap or air pump outlet.

IMPORTANT! Verify that the tubes are not pinched when connecting the control box outlets. Do not coil extra tubing. The tubing should not hang below the outlet of the control box.

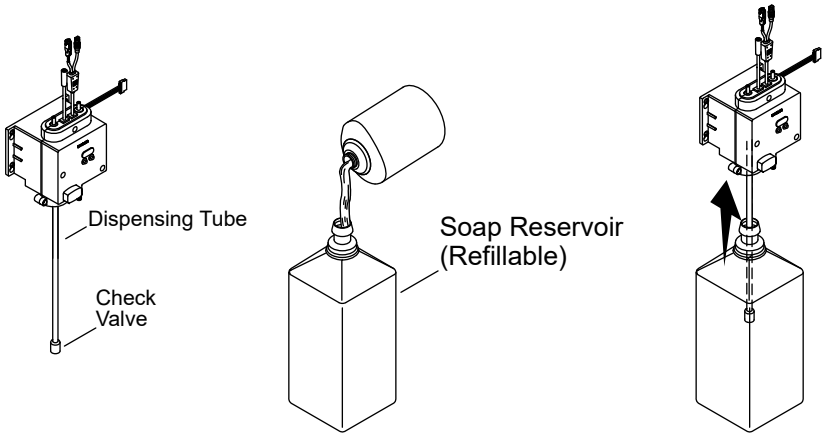
Soap Pump Connections

- Verify that the plastic tube from the spout is the appropriate length to reach the control box.
- The tube should not hang below the outlet of the control box. Cut the tube if necessary.
- Press the plastic tube onto the soap pump outlet on the control box until the tube stops.
- Verify that the tube is secure.

Air Pump Connections

- Verify that the plastic tube from the spout is the appropriate length to reach the control box.
- The tube should not hang below the outlet of the control box. Cut the tube if necessary.
- Press the remaining plastic tube onto the air pump outlet on the control box until the tube stops.
- Verify that the tube is secure.

10. Fill the Soap Reservoir



NOTE: The 1600 ml soap reservoir is included. Refer to kohler.com/serviceparts for the optional 800 ml soap reservoir.

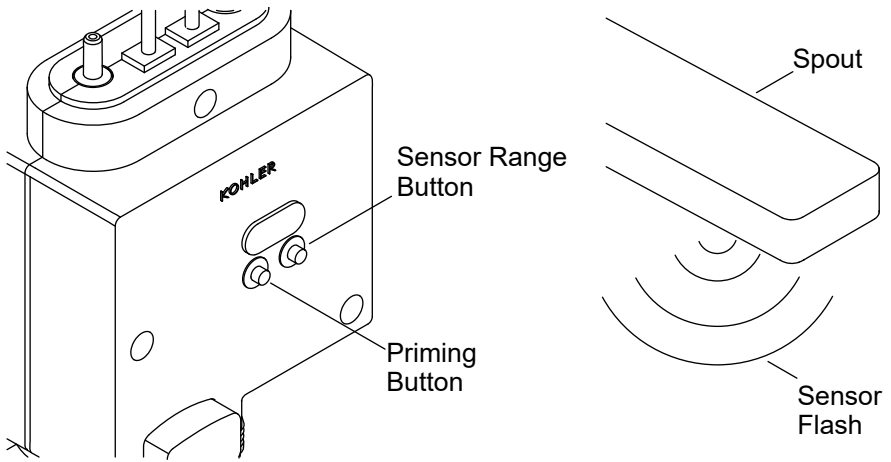
- For 800 ml soap reservoir bottles, remove the check valve from the dispensing tube. Cut 2" (51 mm) from the dispensing tube so that the tube fits without any coiling. Reinstall the check valve.

NOTE: Refer to the Soap Requirements section for more information on the soap requirements for this product.

IMPORTANT! Rinse the empty soap reservoir with clean warm water before first use.

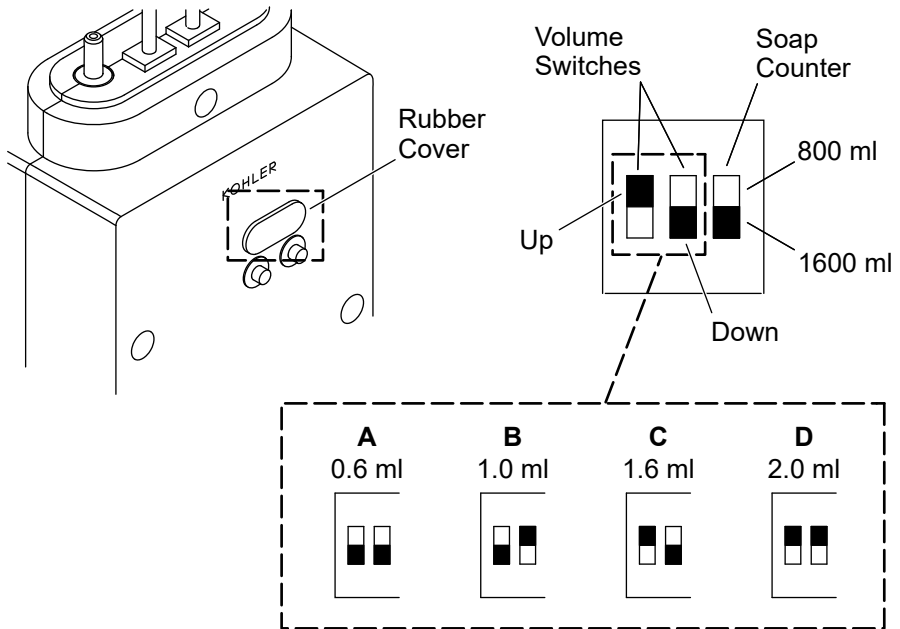
- Fill the soap reservoir with KOHLER brand foaming soap or foaming soap with 1 cP – 100 cP to the "Max Fill" line. Do not over fill the soap reservoir.
- Insert the dispensing tube from the control unit into the soap reservoir.
- Press the soap reservoir into place until an audible click is heard.

11. Prepare the Soap Dispenser



- Press the priming button located on the control unit until the soap streams from the spout nozzle – approximately 10 seconds.

12. Set the Volume of Soap Dispensed



IMPORTANT! Four options are available to control the amount of dispensed soap. The desired option is set by moving the volume switches to an up or down position.

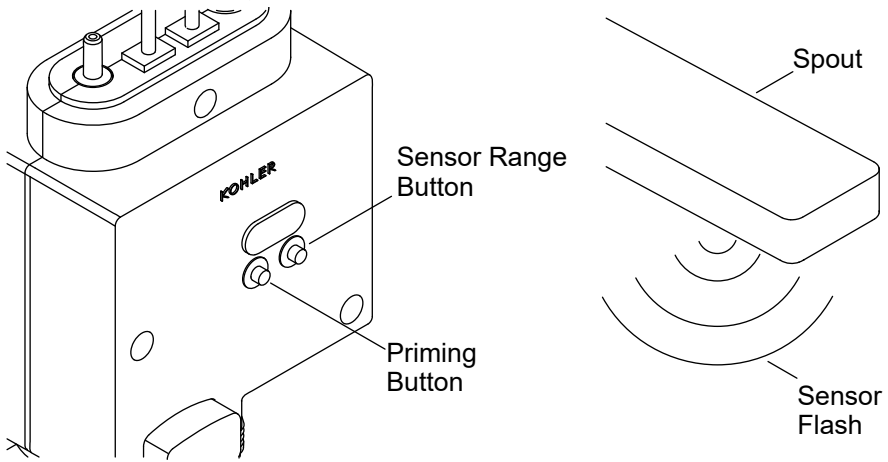
NOTE: The dispenser comes equipped with a 1600 ml reservoir, and the soap counter is set to the 1600 ml position. If an 800 ml reservoir is used, move the soap counter to the 800 ml position.

- Lift the rubber cover to access the control switches.
- Set the position of the two volume switches for the desired volume of soap dispensed. Refer to the settings shown above.
- Verify that the soap counter switch is set to the correct position for your reservoir size.
- Refer to the chart below for the approximate number of dispenses available based on the volume setting and a full 800 ml or 1600 ml reservoir.

| Setting | Soap Volume Dispensed | Soap Count(1600 ml) | Soap Count(800 ml) |
|----------------|------------------------------|----------------------------|---------------------------|
| A | 0.6 ml | 2400 | 1200 |
| B | 1.0 ml | 1440 | 720 |
| C | 1.6 ml | 900 | 450 |
| D | 2.0 ml | 720 | 360 |

Close the rubber cover.

13. Set the Sensor Range



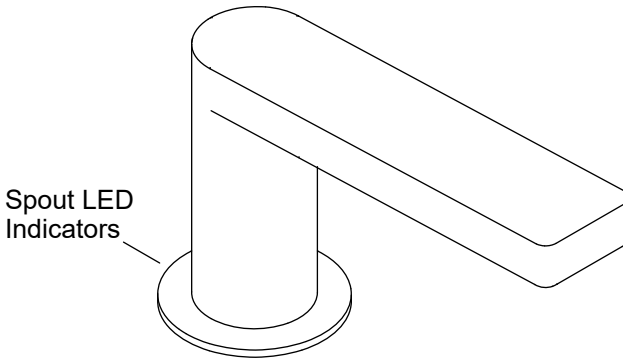
NOTE: The default sensor distance is 2-3/4" (70 mm) +/- 3/8" (10 mm).

- Press and hold the sensor range button for 2 seconds until the sensor flashes red.

NOTE: The sensor range is 1" (25 mm) – 4" (102 mm).

- Hold an object at the desired distance in front of the sensor.
- The light will flash red to signal that the sensor range adjustment is complete.

Spout LED Indicators



Flashing BLUE

The base of the soap dispenser will flash BLUE every 6 seconds when the voltage is lower than 4.8 volts. The soap dispenser will continue to dispense soap.

The base of the soap dispenser will flash (twice) BLUE every 6 seconds when the voltage is lower than 4.5 volts. The soap dispenser will not work. Replace the batteries.

Flashing RED

The base of the soap dispenser will flash RED every 6 seconds when the soap is running low. The soap dispenser will continue to dispense soap.

The base of the soap dispenser will flash (twice) RED every 6 seconds when the soap is empty. The soap dispenser will not dispense soap. Refill the soap reservoir and re-prime the dispenser.

Care and Cleaning

Do not use any abrasive or harsh cleaners to clean the faucets.

For best results, keep the following in mind when caring for your KOHLER product:

Always test your cleaning solution on an inconspicuous area before applying to the entire surface. Visit kohler.com/clean for KOHLER brand faucet cleaner products.

Wipe surfaces clean and rinse completely with water immediately after applying cleaner. Rinse and dry any overspray that lands on nearby surfaces.

Do not allow cleaners to soak on surfaces.

Use a soft, dampened sponge or cloth. Never use an abrasive material such as a brush or scouring pad to clean surfaces.

Upon cleaning other areas of the restroom be sure the sensor lenses are protected from other cleaning chemicals/solvents to prevent potential damages to the sensor and/or electronics.

It is recommended to flush the system with warm water every 2 to 3 months.

- Remove and clean the nozzle foaming assembly with warm water.
- Remove and clean the check valve from the dispensing tube in the soap reservoir with warm water.
- Fill the soap reservoir with minimal amount of clean warm water.
- Reattach the soap reservoir to the control box. Press the system prime button. Hold the button down until all of the water has been flushed through the system.
- Refill the soap reservoir with the appropriate foaming hand soap. Press and hold the system prime button until all residual water is pushed through the pump and soap is dispensed.

Troubleshooting

This troubleshooting guide is for general aid only. For warranty service, contact your dealer, wholesale distributor, or call 1-800-4KOHLER.

| Symptoms | Probable Cause | Recommended Action |
|--|---|--|
| 1. A red LED light flashes at the base of the soap dispenser once every 6 seconds. | A. The soap is running low (70% of cycle used after priming). | A. Refill the soap reservoir with appropriate foaming hand soap. Prime the soap dispenser. |
| 2. A red LED light flashes at the base of the soap dispenser twice every 6 seconds. | A. The soap is out or very low (90% of cycle used after priming). | A. Refill the soap reservoir with appropriate foaming hand soap. Prime the soap dispenser. |
| 3. A blue LED light flashes at the base of the soap dispenser once every 6 seconds. | A. The batteries are running low (lower than 4.8 volts). | A. Replace the batteries and prime the soap dispenser. |
| 4. A blue LED light flashes at the base of the soap dispenser twice every 6 seconds. | A. The batteries are out of power (lower than 4.5 volts). | A. Replace the batteries and prime the soap dispenser. |

| Symptoms | Probable Cause | Recommended Action |
|---|--|--|
| <p>5. No soap dispenses.</p> | <p>A. The sensor lens is dirty.</p> <p>B. The sensor assembly cable is disconnected.</p> <p>C. The tube (soap and air) is disconnected.</p> <p>D. No power supply or wrong connection.</p> <p>E. The soap pump is not primed after refilling.</p> <p>F. The dispensing tube/check valve is blocked.</p> <p>G. Object is within sensing range.</p> | <p>A. Wipe the sensor lens with a clean, dry, soft cloth.</p> <p>B. Reconnect the sensor assembly cable.</p> <p>C. Reconnect the tube to the control box.</p> <p>D. Check the power supply connection.</p> <p>E. Prime the pump.</p> <p>F. Clean the dispensing tube/check valve with warm water.</p> <p>G. Remove the object from the sensor range and wait 20 seconds before activating the soap dispenser.</p> |
| <p>6. The volume of soap dispensed is small or nonexistent.</p> | <p>A. The nozzle is clogged.</p> <p>B. The check valve is clogged.</p> <p>C. The soap pump is not working correctly.</p> | <p>A. Remove the soap nozzle and foaming assembly. Clean with warm water</p> <p>B. Remove the check valve from dispensing tube. Clean with warm water.</p> <p>C. Order and install a new soap pump.</p> |
| <p>7. Only air bubbles are dispensing.</p> | <p>A. The soap pump outlet is clogged.</p> <p>B. The soap pump is leaking.</p> | <p>A. Remove the soap pump tubing. Clean the soap pump outlet with warm water.</p> <p>B. Order and install a new soap pump.</p> |

| Symptoms | Probable Cause | Recommended Action |
|--|---|---|
| <p>8. No foam is dispensing. Only liquid soap is dispensing.</p> | <p>A. The air pump is disconnected. B. The air pump/ tube is clogged. C. The air pump is not working.</p> | <p>A. Check the air pump connection and reconnect the tube to the control box. B. Remove the air pump tubing. Clean the air pump outlet with warm water. C. Order and install a new air pump.</p> |

Instructions d'installation

Distributeur de savon sans contact alimenté par c.a.

Merci d'avoir choisi KOHLER

Besoin d'aide? Appeler notre centre de services à la clientèle.

USA/Canada : 1-800-4KOHLER (1-800-456-4537)

Mexique : 001-800-456-4537

Pour tout renseignement sur les pièces de rechange, visiter le site kohler.com/serviceparts.

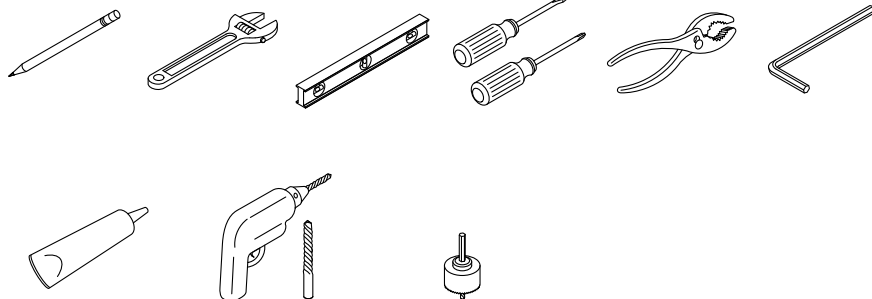
Pour des renseignements sur l'entretien et le nettoyage, visiter le site kohler.com/clean.

Garantie

Ce produit est couvert sous la **Garantie limitée de cinq ans des commandes, vannes et robinets électroniques KOHLER®**, fournie sur le site kohler.com/warranty.

Pour obtenir une copie imprimée des termes de la garantie, s'adresser au centre de service à la clientèle.

Outils et matériel



Mastic d'étanchéité

1/4 po

1-1/4 po foret

Plus :

- Matériel pour entretoises en bois
- Outils de menuiserie
- Vis à bois n° 8
- Tubulure en PVC
- Brides en U
- Ruban électrique
- Scie à métaux
- Savon moussant (1 cP – 100 cP)

Avant de commencer



AVERTISSEMENT: Lors de l'utilisation de produits électriques, toujours observer les précautions de base, notamment :





DANGER: Risque d'électrocution. Raccorder uniquement à un circuit protégé par un disjoncteur de fuite de terre (GFCI)*


*Hors de l'Amérique du Nord, ce dispositif peut être connu sous le nom de dispositif à courant résiduel (RCD).



AVERTISSEMENT: Risque d'électrocution. Une mise à la terre est requise. Un électricien qualifié doit effectuer toutes les connexions électriques.

 **AVERTISSEMENT: Risque d'électrocution.** Déconnecter l'alimentation électrique avant d'effectuer un entretien ou une réparation.

 **AVERTISSEMENT: Risque de blessures ou d'endommagement du matériel.** Veuillez lire toutes les instructions avant de commencer l'installation.


 **ATTENTION: Risque d'endommagement du produit.** Ce produit contient des composants électroniques sensibles. Ne pas entreposer des récipients de produits chimiques ou de nettoyage ouverts près de ce produit.


IMPORTANT! Le produit en question peut être différent de celui qui est illustré. La procédure d'installation reste la même. Consulter la fiche de spécification pour les dimensions de plan de raccordement pour les conditions requises du modèle en question.

Trouver une prise électrique continue de 120 V c.a. non commutée sous le lavabo à 5 pi (1,5 m) de l'unité de boîtier de commande.

Follow all local plumbing and electrical codes.

Conditions requises pour le savon

 **ATTENTION: Risque d'endommagement du produit.** Le savon moussant pour les mains doit avoir un coefficient de viscosité dynamique compris entre 1 et 100 centipoises (cPs) mesuré en cPs ou en unités de grammes/m-s. Les savons dont la viscosité dynamique est supérieure à 100 cPs peuvent causer une usure prématurée et endommager les composants du distributeur de savon et annuler la garantie du produit.

 **ATTENTION: Risque de dommages matériels.** Seulement utiliser du savon pour les mains liquide et moussant qui ne contient pas des particules restant en suspension ou des microbilles. Ne pas utiliser des savons pour les mains liquides mais non moussants; ces savons ont généralement un coefficient de viscosité dynamique de 1 000 à 3 500 centipoises (cPs).

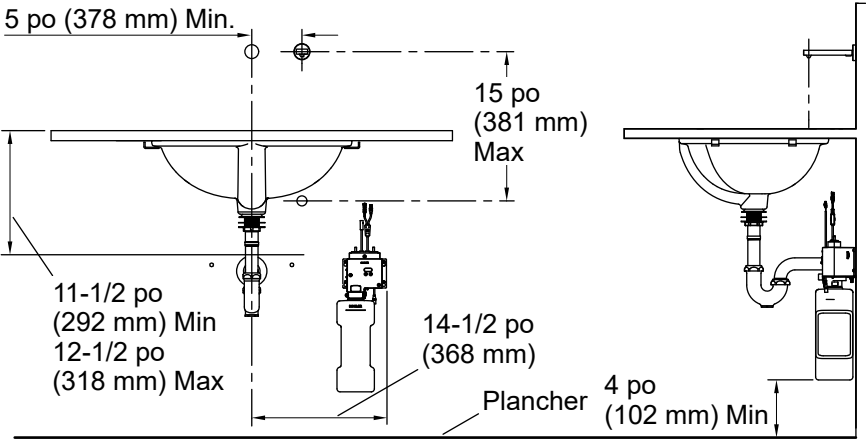
 **ATTENTION: Risque d'endommagement du produit.** Ne pas utiliser de savon à base d'alcool et/ou des savons avec de l'alcool (glycol, méthanol, etc.).

REMARQUE: Les savons moussants pour les mains de Kohler sont formulés avec précision pour être utilisés avec ce produit et ont un coefficient de viscosité dynamique de 1 à 20 cPs.

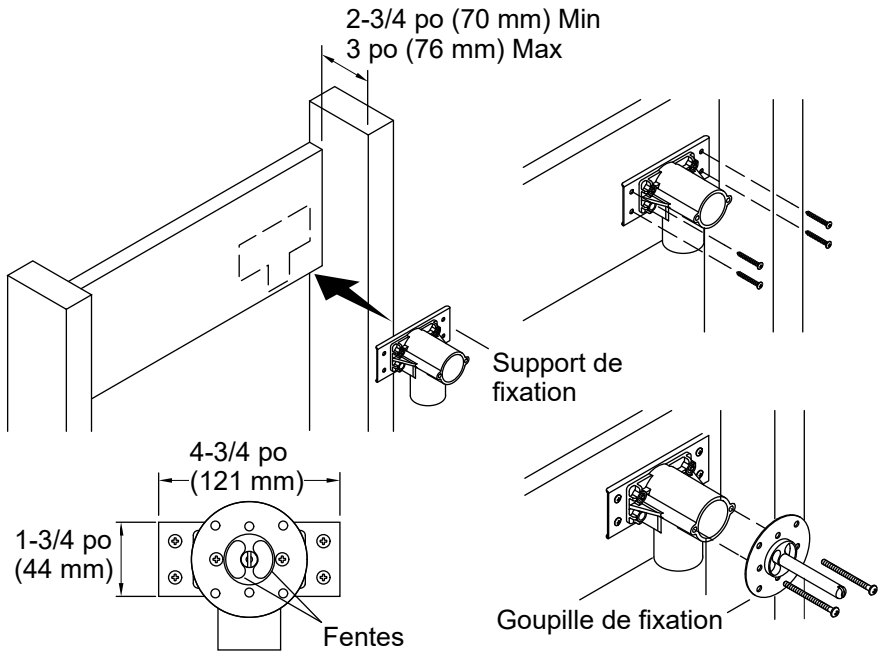
REMARQUE: Consulter le site Kohler.com pour obtenir de l'information supplémentaire sur les savons moussants pour les mains recommandés. Les fiches signalétiques publiées des fabricants de savon fournissent de l'information précise sur les propriétés du matériau et le coefficient dynamique du savon.

**F
R**

Raccordement



1. Installer le support de fixation



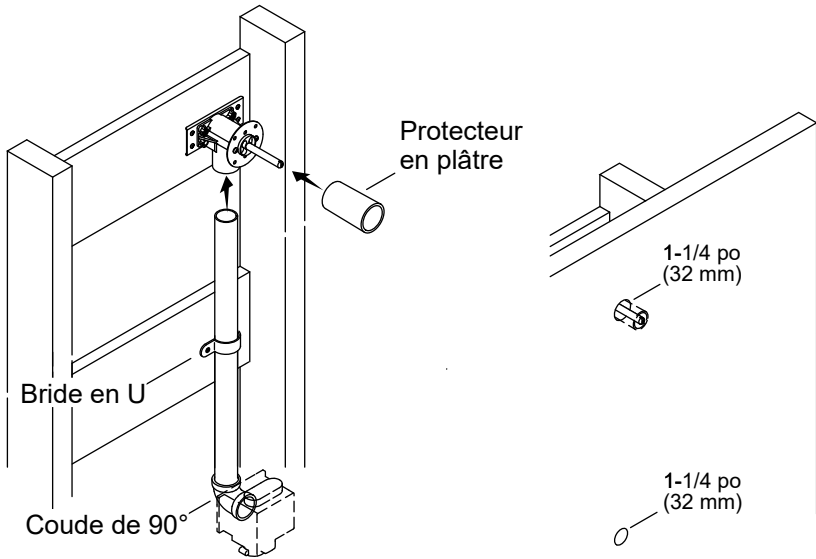
IMPORTANT! Le produit en question peut être différent de celui qui est illustré. La procédure d'installation reste la même. Consulter la fiche de spécification pour les dimensions de plan de raccordement pour les conditions requises du modèle en question.

- Construire le cadrage pour l'installation en question.
- Sécuriser le support de fixation sur le cadrage en utilisant quatre vis à bois de taille n° 8.
- Retirer le protecteur en plâtre.

REMARQUE: Vérifier l'orientation des fentes comme indiqué ci-dessus.

- Fixer la goupille de fixation sur le support de fixation en utilisant les deux vis fournies.

2. Installer la tubulure (recommandé)



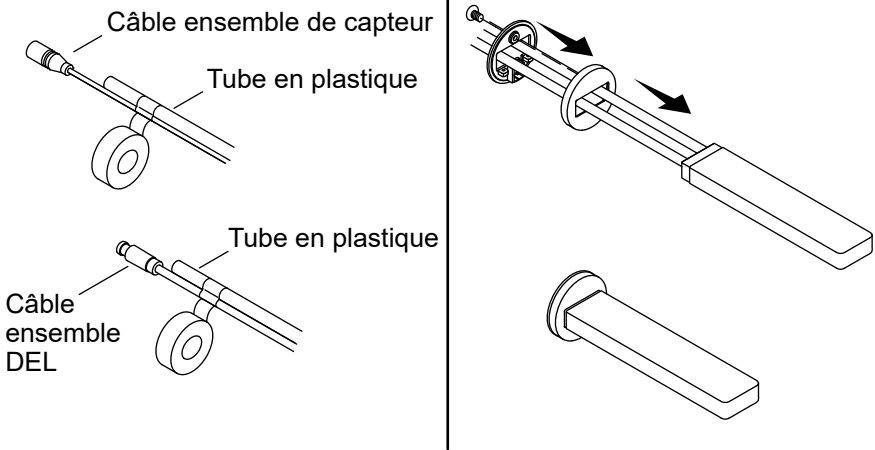
REMARQUE: Les raccords et tubes en PVC (non fournis) peuvent être attachés sur le support de fixation pour acheminer les câbles et les tubes du bec vers le boîtier de commande. Consulter la fiche de spécifications pour déterminer l'emplacement du boîtier de commande.

- Coller et raccorder un tube en PVC droit sur le support de fixation comme indiqué. Vérifier que le tube est assez long pour atteindre le boîtier de commande.
- Fixer le tube en PVC sur le support de fixation avec des brides en U (non fournies).
- Coller un coude de 90 degrés sur l'extrémité du tube en PVC à l'emplacement d'installation du boîtier de commande.
- Réinstaller le protecteur en plâtre sur la goupille de fixation.

REMARQUE: L'épaisseur du mur fini doit être de 1/4 po (6 mm) minimum à 1-3/8 po (35 mm) maximum.

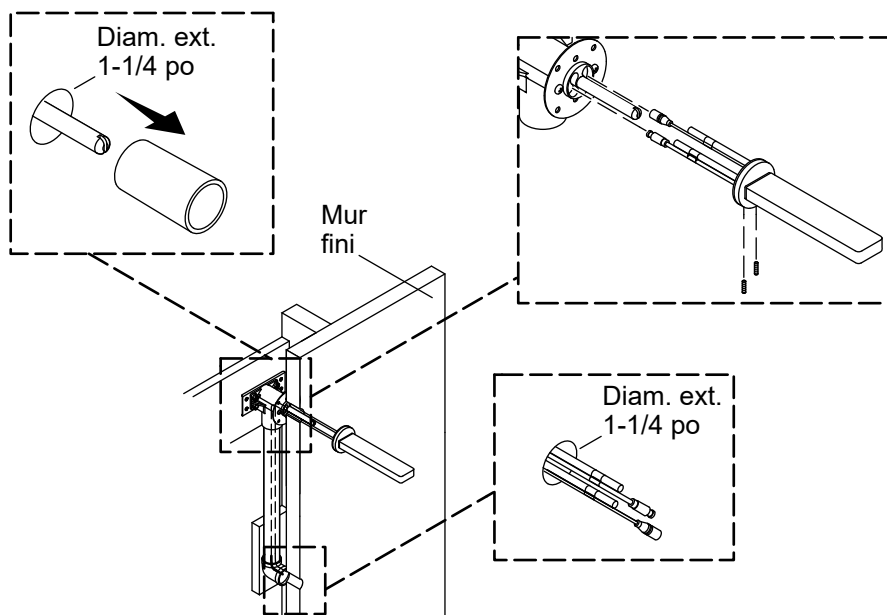
- Finir le mur avec un trou de 1-1/4 po (32 mm) pour le bec.
- Finir le mur avec un trou de 1-1/4 po (32 mm) pour les câbles et la tubulure.

3. Préparer le bec



- Pour faciliter l'acheminement des câbles et des tubes, utiliser du ruban électrique pour fixer l'un des câbles sur l'un des tubes. Répéter pour l'autre câble et l'autre tube.
- REMARQUE:** Veiller à ne pas endommager la finition du bec lors de l'installation de la rosace.
- Acheminer les câbles et les tubes à travers la rosace pour installer la rosace sur le bec.

4. Fixer le bec en place

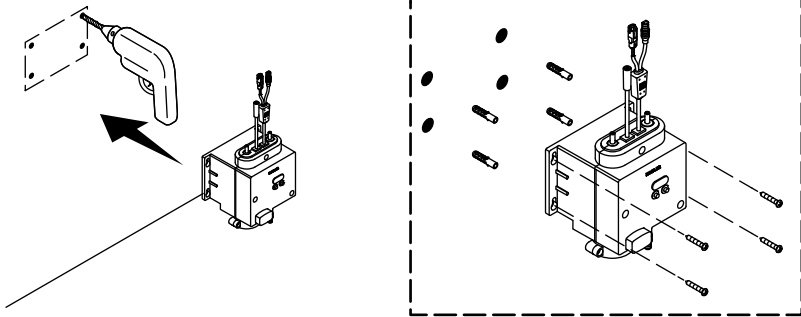


- Retirer le protecteur en plâtre.

REMARQUE: Éviter de pincer et de vriller les câbles et les tubes lors de l'installation du bec.

- Acheminer les câbles et les tubes en provenance du bec par le support de fixation et vers le bas à travers la tubulure en PVC.
- Faire glisser l'ensemble du bec sur la goupille de fixation jusqu'à ce qu'il soit à ras du mur.
- Tirer sur les câbles et les tubes du bec pour les faire sortir à travers le trou qui mène à l'emplacement du boîtier de commande.
- Si souhaité, ajouter du mastic d'étanchéité sur le dessous de la rosace au besoin. Essuyer tout excédent de mastic d'étanchéité.
- Serrer les deux vis d'arrêt (fournies) pour fixer le bec sur le support de fixation.

5. Installer le boîtier de commande



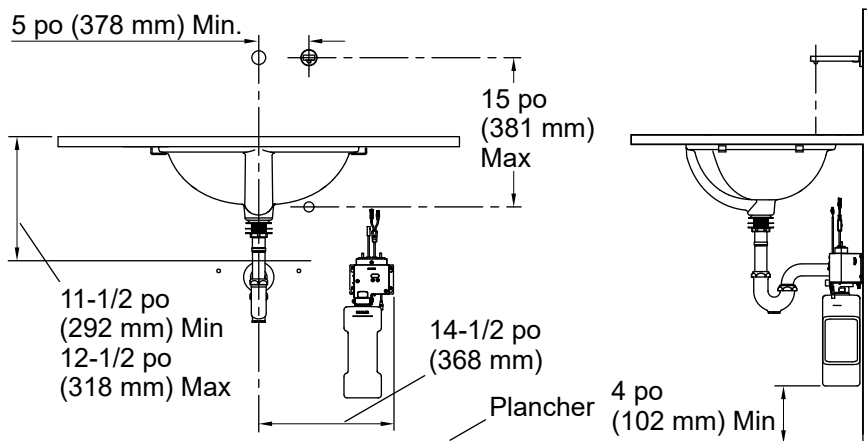
- Positionner le boîtier de commande entre 11-1/2 po (292 mm) minimum et 12-1/2 po (318 mm) maximum en dessous du comptoir. Consulter la fiche de spécifications pour l'emplacement du boîtier de commande.
- Marquer l'emplacement des trous de fixation.

REMARQUE: Les chevilles d'ancrage mural fournies sont pour une installation sur mur en béton. Utiliser les chevilles d'ancrage mural appropriées en fonction du matériau de mur.

- Percer les trous selon les instructions du fabricant des chevilles d'ancrage. Si les chevilles d'ancrage mural fournies sont utilisées, percer des trous pilotes de 1/4 po (6 mm).
- Attacher le boîtier de commande sur le mur comme indiqué.
- Sécuriser avec les quatre vis fournies.

6. Installer l'alimentation c.a. unique

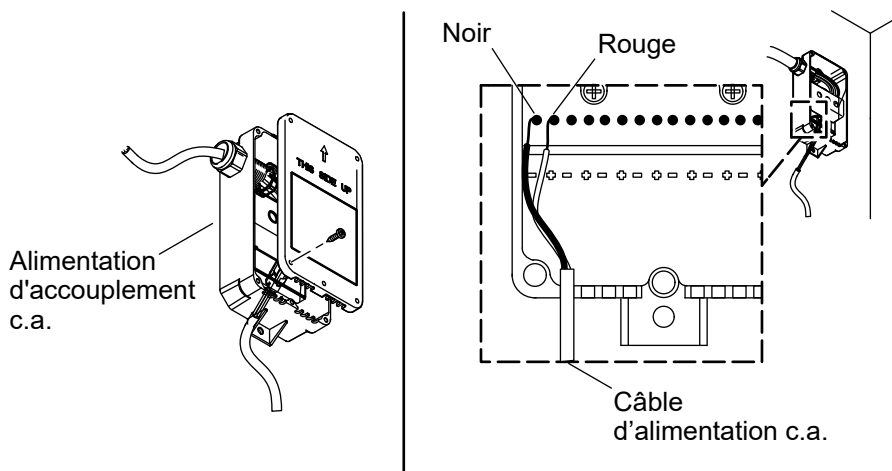
FR



IMPORTANT! Suivre l'installation correcte du système d'alimentation en fonction du modèle. Pour une installation d'unité d'alimentation électrique c.a. multiprise, se reporter à la section « Installer une alimentation de sortie c.a. multiprise ».

- Connecter le cordon d'alimentation en provenance du boîtier de commande au cordon d'alimentation en provenance de l'alimentation c.a. unique SKU 13480-NA. Maintenir une boucle d'égouttement lors de la connexion.
- Brancher l'alimentation c.a. sur la prise murale.
- Attacher tout excédent de fil sous le comptoir.

7. Installer l'alimentation de sortie c.a. multiprise



IMPORTANT! Suivre l'installation correcte du système d'alimentation en fonction du modèle. Pour une installation d'unité d'alimentation électrique c.a. unique, se reporter à la section « Installer l'alimentation c.a. unique ».

IMPORTANT! L'installation ne doit pas dépasser deux distributeurs de savon et deux robinets sur une alimentation multiprise.

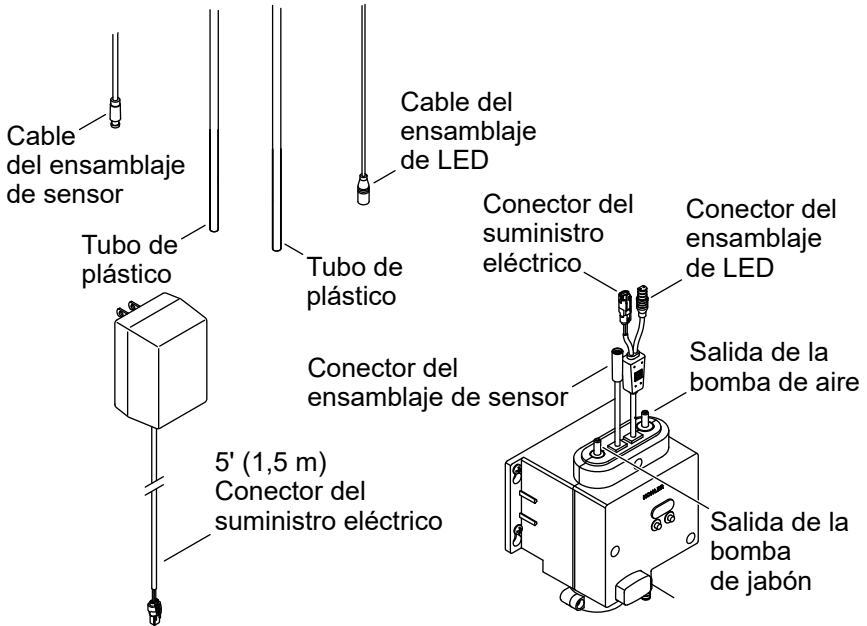
- Monter l'alimentation c.a. sous le comptoir en utilisant les deux vis fournies. Orienter comme sur l'illustration.
- Retirer le couvercle.
- Connecter le fil du robinet au robinet. Maintenir une boucle d'égouttement lors de la connexion.
- Le cas échéant, couper et dénuder les fils d'alimentation c.a. à la bonne longueur.
- Raccorder les extrémités dénudées au boîtier à bornes du boîtier d'alimentation.
- Sécuriser le couvercle du boîtier à bornes sur le boîtier à bornes.

REMARQUE: Les câbles d'alimentation c.a. sont disponibles dans des longueurs de 4 pi, 6 pi, 8 pi, 10 pi et 12 pi.

- Connecter le cordon d'alimentation en provenance du boîtier de commande au cordon d'alimentation en provenance de l'alimentation c.a. multiprise SKU 13481-NA. Maintenir une boucle d'égouttement lors de la connexion.

- Brancher l'alimentation c.a. sur la prise murale.
- Attacher tout excédent de fil sous le comptoir.

8. Connecter les fils du boîtier de commande



IMPORTANT! Vérifier que les câbles ne sont pas pincés lorsqu'ils sont connectés au boîtier de commande.

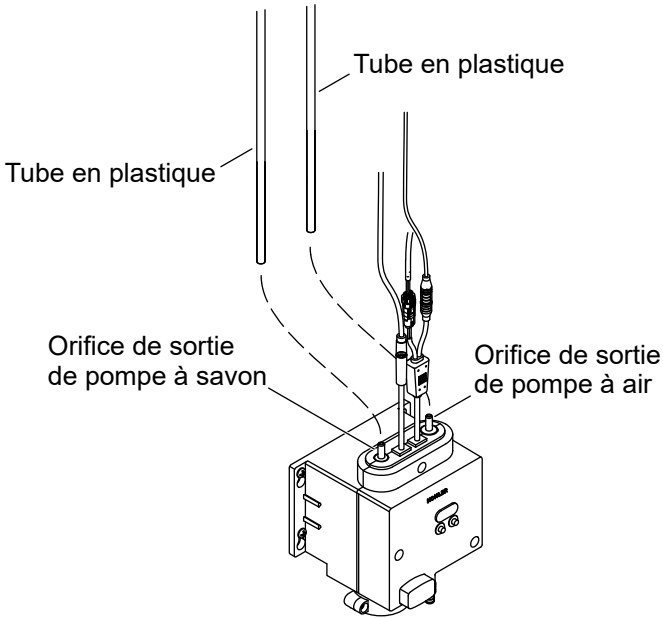
IMPORTANT! Attendre 2 minutes que le capteur balaye la distance de détection automatique.

- Connecter le câble du capteur en provenance du bec au câble du capteur en provenance du boîtier de commande.
- Connecter le câble DEL en provenance du bec au câble DEL en provenance du boîtier de commande.
- Connecter le connecteur d'alimentation électrique en provenance du boîtier de piles au connecteur d'alimentation électrique en provenance du boîtier de commande.
- Attendre 2 minutes que le capteur balaye la distance de détection automatique.

REMARQUE: Lorsque les cordons d'alimentation électrique sont connectés, la base du distributeur de savon clignote en rouge deux fois toutes les six secondes. Cela est normal et signale qu'il n'y a pas de savon dans le réservoir. Le clignotement s'arrête une fois que le réservoir est rempli de savon et amorcé.

- Attacher tout excédent de fil sous le comptoir.

9. Connecter les tubes



REMARQUE: Les tubes en plastique sont interchangeables. N'importe lequel des tubes peut être connecté à l'orifice de sortie du savon ou de la pompe à air.

IMPORTANT! Vérifier que les tubes ne sont pas pincés lorsqu'ils sont connectés aux orifices de sortie du boîtier de commande. Ne pas entortiller la tubulure en excédent. La tubulure ne doit pas être suspendue en dessous de l'orifice de sortie du boîtier de commande.

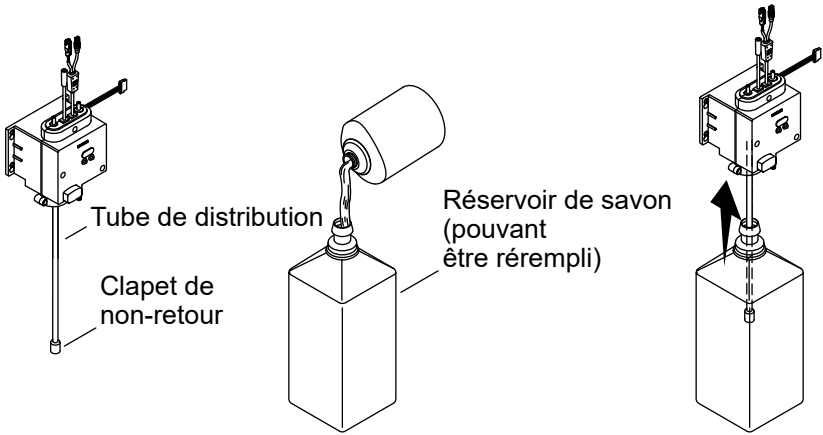
Raccords de la pompe à savon

- Vérifier que le tube à air en provenance du bec est de la longueur appropriée pour atteindre le boîtier de commande.
- Le tube ne doit pas être suspendu en dessous de l'orifice de sortie du boîtier de commande. Couper le tube si nécessaire.
- Enfoncer le tube en plastique sur l'orifice de sortie de la pompe à savon sur le boîtier de commande jusqu'à ce que le tube s'arrête.
- Vérifier que le tube est bien sécurisé.

Raccords de la pompe à air

- Vérifier que le tube à air en provenance du bec est de la longueur appropriée pour atteindre le boîtier de commande.
- Le tube ne doit pas être suspendu en dessous de l'orifice de sortie du boîtier de commande. Couper le tube si nécessaire.
- Enfoncer le tube en plastique restant sur l'orifice de sortie de la pompe à air sur le boîtier de commande jusqu'à ce le tube s'arrête.
- Vérifier que le tube est bien sécurisé.

10. Remplir le réservoir de savon



REMARQUE: Le réservoir de savon de 1600 ml est inclus. Consulter le site kohler.com/serviceparts pour le réservoir de savon de 800 ml optionnel.

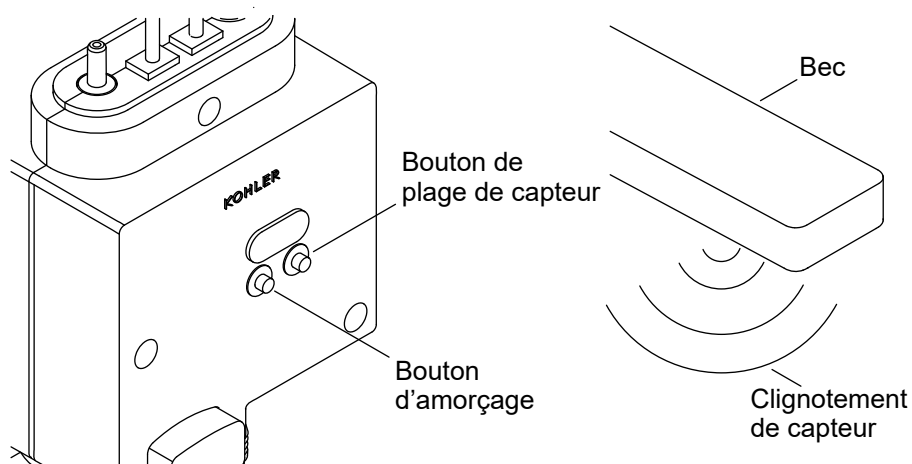
- Pour les flacons de réservoir de savon de 800 ml, retirer le clapet de non-retour du tube du distributeur. Couper 2 po du tube du distributeur de manière à ce que le tube s'adapte sans s'enrouler. Réinstaller le clapet de non-retour.

REMARQUE: Se reporter à la section Conditions requises pour le savon pour obtenir de l'information supplémentaire sur les conditions requises pour le savon en ce qui concerne ce produit.

IMPORTANT! Rincer le réservoir de savon vide avec de l'eau chaude propre avant la première utilisation.

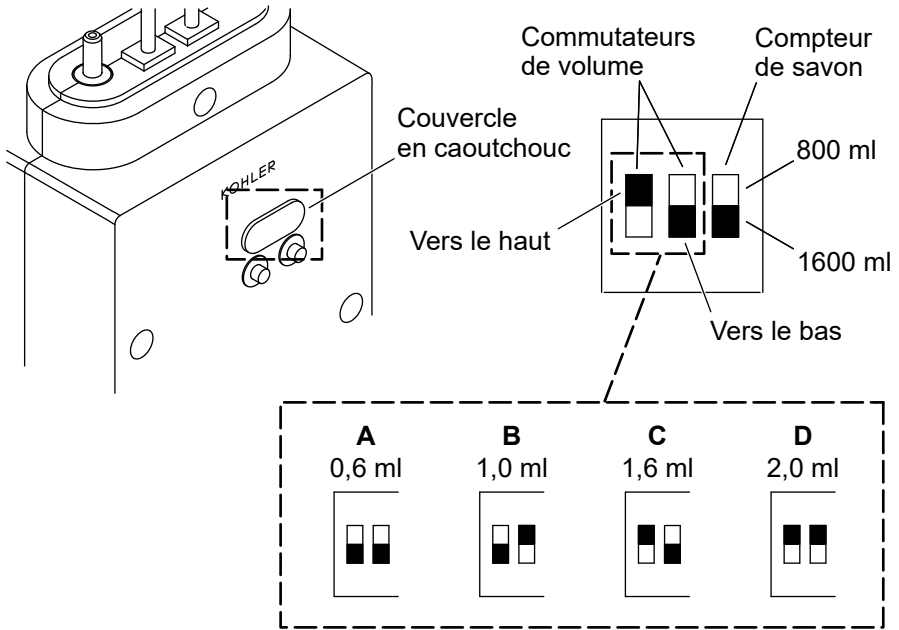
- Remplir le réservoir de savon avec du savon moussant pour les mains de Kohler jusqu'à la ligne « Remplissage Max ». Ne pas trop remplir le réservoir de savon.
- Insérer le tube de distribution en provenance de l'unité de commande dans le réservoir de savon.
- Enfoncer le réservoir de savon en place jusqu'à ce qu'un clic puisse être entendu.

11. Préparer le distributeur de savon



- Appuyer sur le bouton d'amorçage dans l'unité de commande jusqu'à ce que le savon s'écoule de la buse du bec – 10 secondes environ.

12. Régler le volume du savon distribué



IMPORTANT! Quatre options sont offertes pour contrôler la quantité de savon distribué. L'option souhaitée est réglée en basculant les commutateurs de volume vers le haut ou vers le bas.

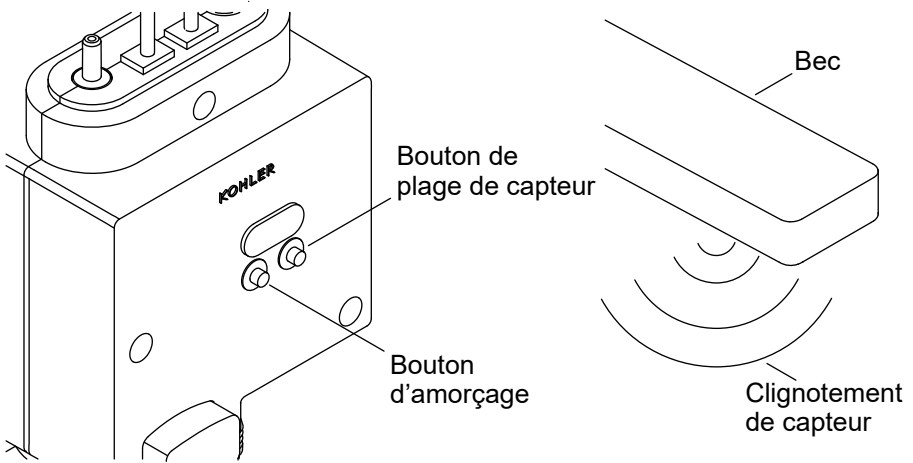
REMARQUE: Le distributeur est fourni équipé d'un réservoir de 1600 ml et le compteur de savon est réglé à la position de 1600 ml. Si un réservoir de 800 ml est utilisé, basculer le compteur de savon à la position 800 ml.

- Lever le couvercle en caoutchouc pour accéder aux commutateurs de commande.
- Régler la position des deux commutateurs de volume pour le volume de savon souhaité à distribuer. Se reporter aux réglages indiqués ci-dessus.
- Vérifier que le commutateur du compteur de savon est réglé à la position correcte pour la taille du réservoir en question.
- Refer to the chart below for the number of dispenses available based on the volume setting and a full 800 ml or 1600 ml reservoir.

| Réglage | Volume de savon distribué | Comptage de savon (1600 ml) | Comptage de savon (800 ml) |
|---------|---------------------------|-----------------------------|----------------------------|
| A | 0,6 ml | 2400 | 1200 |
| B | 1,0 ml | 1440 | 720 |
| C | 1,6 ml | 900 | 450 |
| D | 2,0 ml | 720 | 360 |

Réinstaller le couvercle en caoutchouc.

13. Régler la plage du capteur

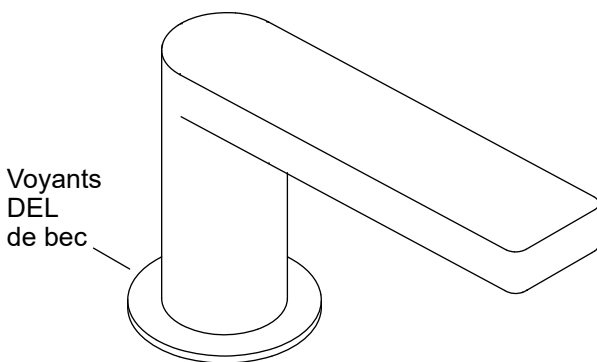


REMARQUE: La distance par défaut du capteur est de 2-3/4 po (70 mm) +/- 3/8 po (10 mm).

- Appuyer et continuer à appuyer sur le bouton de plage de capteur pendant 2 secondes jusqu'à ce que le capteur clignote en rouge.

REMARQUE: La plage du capteur est de 1 po (25 mm) à 4 po (102 mm).

- Tenir un objet à la distance souhaitée devant le capteur.
- Le voyant clignote en rouge pour signaler que l'ajustement de la plage du capteur est terminé.



Clignote en BLEU

La base du distributeur de savon clignote en BLEU toutes les 6 secondes lorsque la tension est inférieure à 4,8 volts. Le distributeur de savon continue à distribuer du savon.

La base du distributeur de savon clignote en BLEU (deux fois) toutes les 6 secondes lorsque la tension est inférieure à 4,5 volts. Le distributeur de savon ne fonctionne pas. Remplacer les piles.

Clignote en ROUGE

La base du distributeur de savon clignote en ROUGE toutes les 6 secondes lorsque le niveau de savon est bas. Le distributeur de savon continue à distribuer du savon.

La base du distributeur de savon clignote en ROUGE (deux fois) toutes les 6 secondes lorsqu'il n'y a plus de savon. Le distributeur de savon ne distribue pas de savon. Remplir le réservoir de savon et réamorcer le distributeur.

Entretien et nettoyage

Ne pas utiliser de nettoyeurs abrasifs ou forts pour nettoyer les robinets.

Pour obtenir les meilleurs résultats possibles, prendre ce qui suit en considération lors de l'entretien de votre produit KOHLER :

Toujours tester la solution de nettoyage sur une surface non visible avant de l'appliquer sur l'ensemble de la surface. Visiter le site kohler.com/clean pour les produits de nettoyage de robinets Kohler.

Essuyer les surfaces et rincer complètement avec de l'eau immédiatement après l'application du nettoyeur. Rincer et sécher tout éclaboussement qui atterrit sur les surfaces avoisinantes.

Ne pas laisser les nettoyeurs tremper sur les surfaces.

Utiliser une éponge ou un chiffon doux et humide. Ne jamais utiliser de matériau abrasif comme une brosse ou une éponge à récurer pour nettoyer les surfaces.

Lors du nettoyage d'autres zones des toilettes, s'assurer que les lentilles du capteur sont protégées contre les autres produits chimiques/solvants de nettoyage afin d'éviter que le capteur et/ou les composants électroniques ne subissent des dommages potentiels.

Il est recommandé de rincer le système avec de l'eau chaude tous les 2 à 3 mois.

- Retirer et nettoyer l'ensemble de moussage de la buse avec de l'eau chaude.
- Retirer et nettoyer avec de l'eau chaude le clapet de non-retour du tube de distribution dans le réservoir de savon.
- Remplir le réservoir de savon avec une quantité minimum d'eau chaude propre.
- Réattacher le réservoir de savon sur le boîtier de commande. Appuyer sur le bouton d'amorçage du système. Tenir le bouton enfoncé jusqu'à ce que toute l'eau ait été purgée par le système.
- Remplir le réservoir de savon avec du savon. Maintenir le bouton enfoncé jusqu'à ce que toute eau résiduelle ait poussé par la pompe et que le savon soit distribué.

Dépannage

Ce guide de dépannage est seulement destiné à fournir une aide d'ordre général. Pour le service de garantie, s'adresser au concessionnaire local, au distributeur en gros, ou appeler 1-800-4KOHLER.

| Symptômes | Cause probable | Action recommandée |
|--|---|---|
| 1. Un voyant rouge clignote à la base du distributeur de savon une fois toutes les 6 secondes. | A. Il ne reste plus beaucoup de savon (70 % du cycle utilisé après l'amorçage). | A. Remplir le réservoir de savon avec du savon. Amorcer le distributeur de savon. |
| Un voyant DEL rouge clignote à la base du distributeur de savon deux fois toutes les 6 secondes. | A. Un voyant DEL rouge clignote à la base du distributeur de savon deux fois toutes les 6 secondes. | A. Remplir le réservoir de savon avec du savon. Amorcer le distributeur de savon. |
| 3. Un voyant DEL bleu clignote à la base du distributeur de savon une fois toutes les 6 secondes. | A. Les piles sont faibles (moins de 4,8 volts). | A. Remplacer les piles et amorcer le distributeur de savon. |
| 4. Un voyant DEL bleu clignote à la base du distributeur de savon deux fois toutes les 6 secondes. | A. Les piles sont mortes (moins de 4,5 volts). | A. Remplacer les piles et amorcer le distributeur de savon. |

| Symptômes | Cause probable | Action recommandée |
|---|---|--|
| 5. Pas de distribution de savon. | <p>A. La lentille du capteur est sale.</p> <p>B. Le câble du capteur est déconnecté.</p> <p>C. Le tube (savon et air) est déconnecté.</p> <p>D. Aucune alimentation électrique ou mauvaise connexion.</p> <p>E. La pompe à savon n'a pas été amorcée après le remplissage.</p> <p>F. Le tube/le clapet de non-retour est bloqué.</p> <p>G. Objet dans la plage de détection.</p> | <p>A. Essuyer la lentille du capteur avec un chiffon propre, sec et doux.</p> <p>B. Reconnecter le câble du capteur.</p> <p>C. Reconnecter le tube sur le boîtier de commande.</p> <p>D. Vérifier la connexion d'alimentation électrique.</p> <p>E. Amorcer la pompe.</p> <p>F. Nettoyer le tube/le clapet de non-retour du distributeur avec de l'eau chaude.</p> <p>G. Retirer l'objet compris dans la plage du capteur et attendre 20 secondes avant d'activer le distributeur de savon.</p> |
| 6. Le volume de savon distribué est minime ou non existant. | <p>A. La buse est obstruée.</p> <p>B. Le clapet de non-retour est obstrué.</p> <p>C. La pompe à savon ne fonctionne pas correctement.</p> | <p>A. Retirer l'ensemble buse et moussage de savon. Nettoyer avec de l'eau chaude.</p> <p>B. Retirer le clapet de non-retour du tube de distribution. Nettoyer avec de l'eau chaude.</p> <p>C. Commander et installer une pompe à savon neuve.</p> |
| 7. Seulement des bulles d'air sortent du distributeur. | <p>A. L'orifice de sortie de la pompe à savon est obstrué.</p> <p>B. La pompe à savon a des fuites.</p> | <p>A. Retirer la tubulure de la pompe à savon. Nettoyer l'orifice de sortie de la pompe à savon avec de l'eau chaude.</p> <p>B. Commander et installer une pompe à savon neuve.</p> |

| Symptômes | Cause probable | Action recommandée |
|---|---|---|
| 8. Pas de distribution de mousse. Seulement du savon liquide est distribué. | <p>A. La pompe à air est déconnectée.</p> <p>B. La pompe à air/le tube sont obstrués.</p> <p>C. La pompe à air ne fonctionne pas.</p> | <p>A. Inspecter le raccord de la pompe à air et reconnecter le tube au boîtier de commande.</p> <p>B. Retirer la tubulure de la pompe à air. Nettoyer l'orifice de sortie de la pompe à air avec de l'eau chaude.</p> <p>C. Commander et installer une pompe à air neuve.</p> |

Instrucciones de instalación

Dispensador de jabón sin contacto a CA

Gracias por elegir productos KOHLER

¿Necesita ayuda? Comuníquese con nuestro Centro de Atención al Cliente.

EE.UU./Canadá: 1-800-4KOHLER (1-800-456-4537)

México: 001-800-456-4537

Para consultar información sobre piezas de repuesto, visite kohler.com/serviceparts.

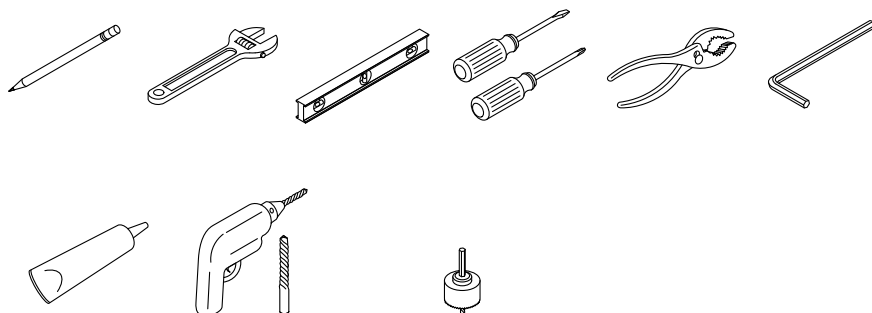
Para consultar información de cuidado y limpieza, visite kohler.com/clean.

Garantía

A este producto lo cubre la **Garantía limitada de cinco años para griferías, válvulas y controles electrónicos de KOHLER®**, que puede consultarse en kohler.com/warranty.

Solicite una copia en papel de los términos de la garantía al Centro de Atención al Cliente.

Herramientas y materiales



Sellador


1/4"


Agujero de broca 1-1/4"

Más:


- Materiales para refuerzos de madera
- Herramientas de trabajo en madera
- Tornillos para madera #8
- Tubería de PVC
- Abrazaderas en U
- Cinta aislante
- Sierra de arco
- Jabón espumante de manos (1 cP – 100 cP)

Antes de comenzar

 **AVISO:** Al usar aparatos eléctricos siempre cumpla las precauciones básicas, como las siguientes:

 **PELIGRO:** Riesgo de sacudidas eléctricas. Solamente conecte a un circuito protegido por un interruptor de circuito con pérdida a tierra (GFCI)*.

*Fuera de Estados Unidos es posible que este se conozca como dispositivo de corriente residual (RCD).

 **AVISO:** Riesgo de sacudidas eléctricas. Se requiere conexión a tierra. Todas las conexiones eléctricas debe hacerlas un electricista capacitado.



AVISO: Riesgo de sacudidas eléctricas. Desconecte el suministro eléctrico antes de dar servicio.



AVISO: Riesgo de lesiones personales o daños a la propiedad. Por favor, lea atentamente todas las instrucciones antes de comenzar la instalación.



PRECAUCIÓN: Riesgo de daños al producto. Este producto tiene componentes electrónicos sensibles. No almacene recipientes abiertos de productos químicos o de limpieza cerca de este producto.

¡IMPORTANTE! Es posible que su producto se vea diferente al ilustrado. El procedimiento de instalación es el mismo. En la hoja de especificaciones consulte las dimensiones de instalación para su modelo.

Ubique un tomacorriente constante no conmutado de 120 VCA bajo el fregadero, a menos de 5' (1,5 m) de la caja de control.

Follow all local plumbing and electrical codes.

Requisitos del jabón



PRECAUCIÓN: Riesgo de daños al producto. El jabón espumante de manos debe tener una viscosidad dinámica entre 1 centipoises (cP) y 100 cP medidos en cP o en gramos/cm-seg. Los jabones con una viscosidad dinámica mayor de 100 cP pueden causar desgaste prematuro y daños a los componentes del dispensador de jabón, y así anular la garantía del producto.



PRECAUCIÓN: Riesgo de daños a la propiedad. Solo use jabón espumante de manos líquido que no contenga partículas en suspensión ni microesferas. No use jabones líquidos no espumantes para manos, que típicamente tienen una viscosidad dinámica de 1,000 cP a 3,500 cP.



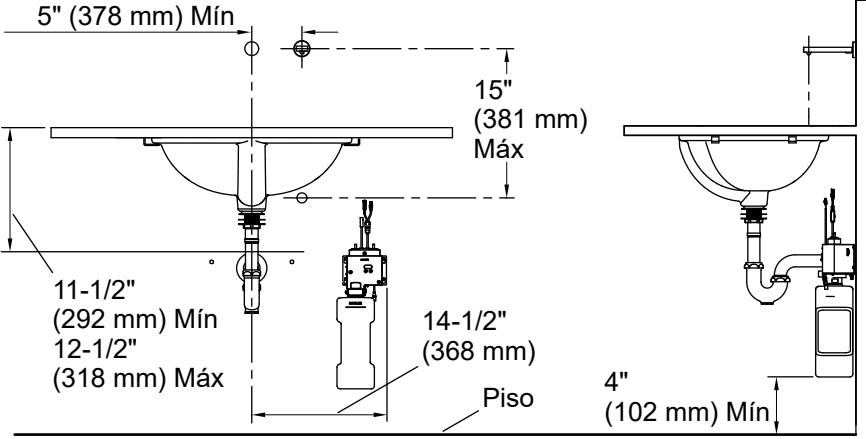
PRECAUCIÓN: Riesgo de daños al producto. No use jabón en base de alcohol ni jabones con alcohol.

NOTA: Los jabones espumantes de manos de Kohler están formulados para funcionar precisamente con este producto, y tienen una viscosidad dinámica entre 1 cP a 20 cP.

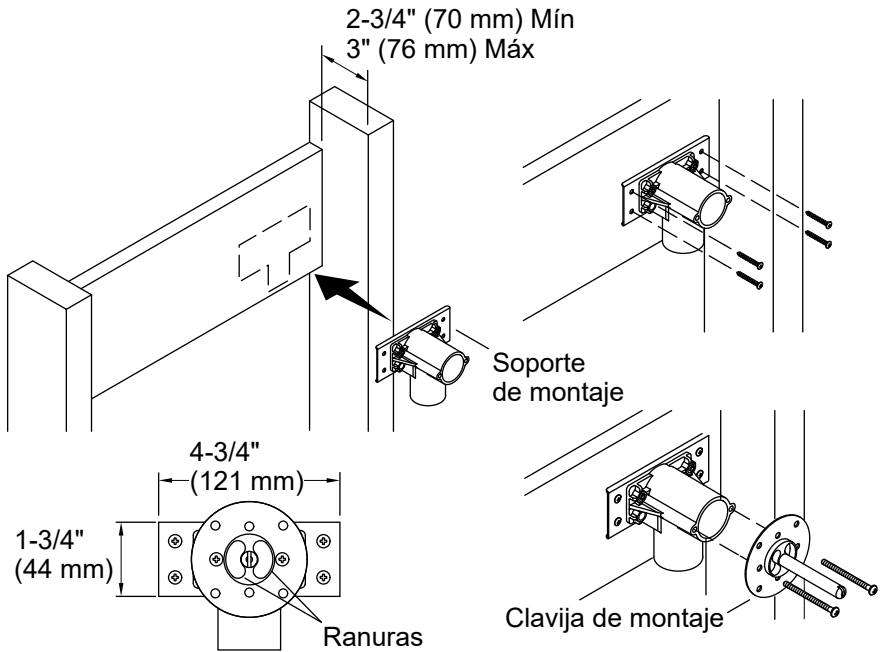
NOTA: En kohler.com consulte más información acerca de los jabones espumantes de manos recomendados. Se puede consultar información precisa acerca de las

propiedades del jabón y de su viscosidad dinámica en las hojas de datos de seguridad de materiales que publican los fabricantes de los jabones.

Diagrama de instalación



1. Instale el soporte de montaje



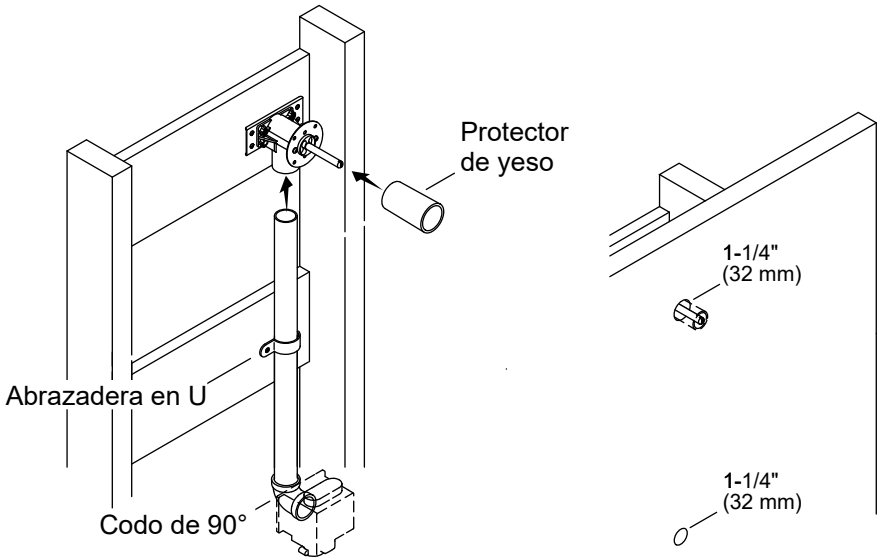
¡IMPORTANTE! Es posible que su producto se vea diferente al ilustrado. El procedimiento de instalación es el mismo. En la hoja de especificaciones consulte las dimensiones de instalación para su modelo.

- Construya la estructura de postes adecuada a su instalación.
- Fije el soporte de montaje a la estructura de soporte con 4 tornillos para madera tamaño #8.
- Retire el protector de yeso.

NOTA: Verifique que la ranura esté orientada como se muestra arriba.

- Fije la clavija de montaje al soporte de montaje con los 2 tornillos que se incluyen.

2. Instale la tubería de PVC (se recomienda)



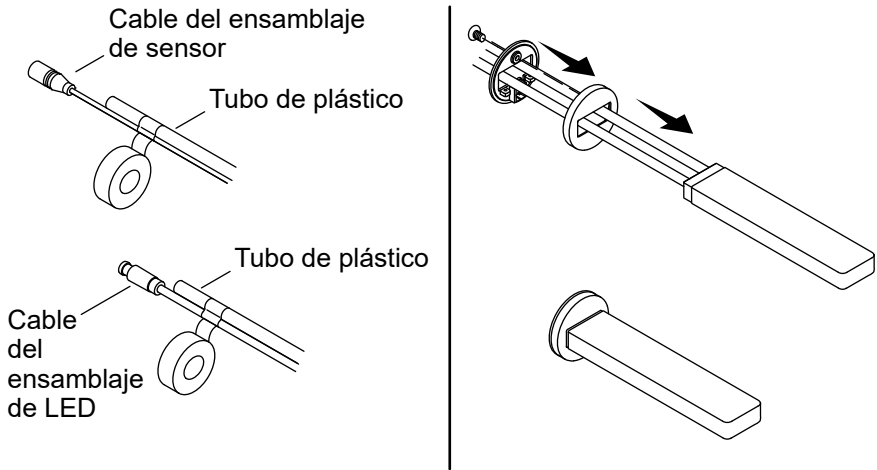
NOTA: Los conectores y los tubos de PVC (no se incluyen) pueden unirse al soporte de montaje para tender los cables y los tubos del surtidor a la caja de control. Consulte la ubicación de la caja de control en la hoja de especificaciones.

- Pegue con adhesivo y conecte un tubo de PVC recto al soporte de montaje, como se muestra. Verifique que el tubo sea lo suficientemente largo como para llegar a la caja de control.
- Fije el tubo de PVC en el soporte de montaje con abrazaderas en U (no se incluyen).
- Pegue con adhesivo un codo de 90 grados al extremo del tubo de PVC en el lugar de instalación de la caja de control.
- Vuelva a instalar el protector de yeso sobre la clavija de montaje.

NOTA: El espesor de la pared acabada debe ser de 1/4" (6 mm) como mínimo a 1-3/8" (35 mm) como máximo.

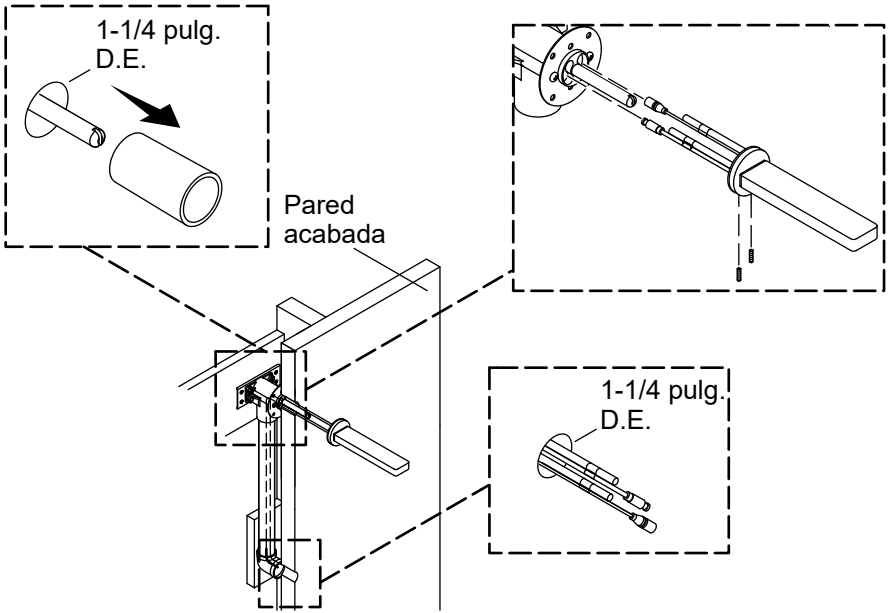
- Acabe la pared con un orificio de 1-1/4" (32 mm) para el surtidor.
- Acabe la pared con un orificio de 1-1/4" (32 mm) para los cables y la tubería.

3. Prepare el surtidor



- Para facilitar el tendido de los cables y de los tubos, use cinta aislante para fijar uno de los cables a uno de los tubos. Repita con el cable y el tubo restantes.
- NOTA:** Tenga cuidado de no dañar el acabado del surtidor al instalar el chapetón.
- Tienda los cables y los tubos a través del chapetón para instalar el chapetón en el surtidor.

4. Fije el surtidor

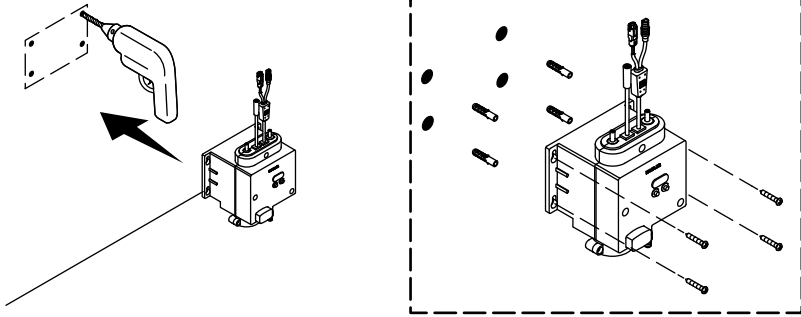


- Retire el protector de yeso.

NOTA: Evite pellizcar y retorcer los cables y los tubos al instalar el surtidor.

- Tienda los cables y los tubos del surtidor a través del soporte de montaje, y hacia abajo a través de la tubería de PVC.
- Deslice el ensamblaje del surtidor sobre la clavija de montaje hasta que quede al ras con la pared.
- Tire hacia fuera de los cables y de los tubos del surtidor a través del orificio que lleva al lugar de la caja de control.
- Si lo desea, aplique sellador a la cara inferior del chapetón según se requiera. Limpie el exceso de sellador.
- Apriete los 2 tornillos de fijación (se incluyen) para fijar el surtidor al soporte de montaje.

5. Instale la caja de control

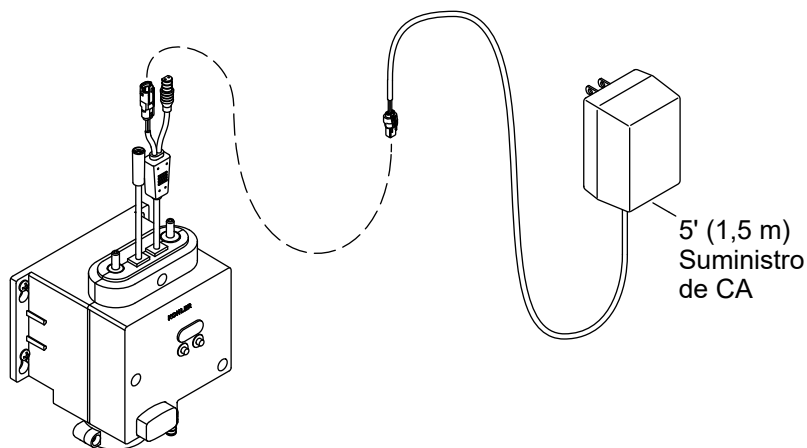


- Coloque la caja de control, de 11-1/2" (292 mm) como mínimo a 12-1/2" (318 mm) como máximo, abajo de la cubierta. Revise la ubicación de la caja de control en la hoja de especificaciones.
- Marque el lugar de los orificios de montaje.

NOTA: Los anclajes de pared que se incluyen son para instalaciones en paredes de concreto. Use los anclajes de pared apropiados de acuerdo al material de su pared. Use los anclajes de pared apropiados de acuerdo al material de su pared.

- Taladre los orificios de acuerdo con las instrucciones del fabricante de anclajes. Si va a usar los anclajes de pared que se incluyen, taladre orificios guía de 1/4" (6 mm).
- Instale la caja de control en la pared, como se muestra.
- Fijela con los 4 tornillos que se incluyen.

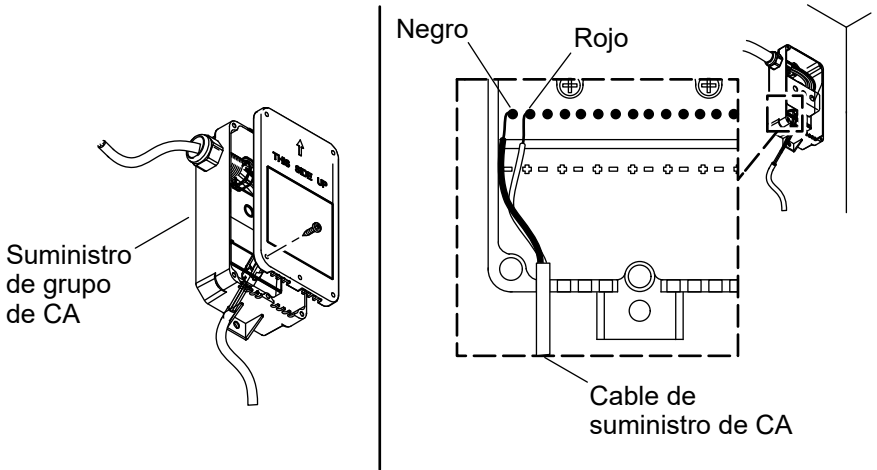
6. Instale un suministro sencillo de CA



¡IMPORTANTE! Siga los pasos de instalación eléctrica de acuerdo a su modelo. Para una instalación de una unidad de suministro múltiple de CA, consulte "Instale la fuente de suministro múltiple de CA".

- Conecte el cable de suministro eléctrico de la caja de control al cable de suministro de CA sencillo SKU 13480-NA. Mantenga un lazo de goteo al hacer la conexión.
- Enchufe el suministro de CA al tomacorriente de pared.
- Fije el exceso de cable bajo la encimera.

7. Instale la fuente de suministro múltiple de CA



¡IMPORTANTE! Siga los pasos de instalación eléctrica de acuerdo a su modelo. En la instalación de una unidad de suministro sencillo de CA, consulte “Instale un suministro sencillo de CA”.

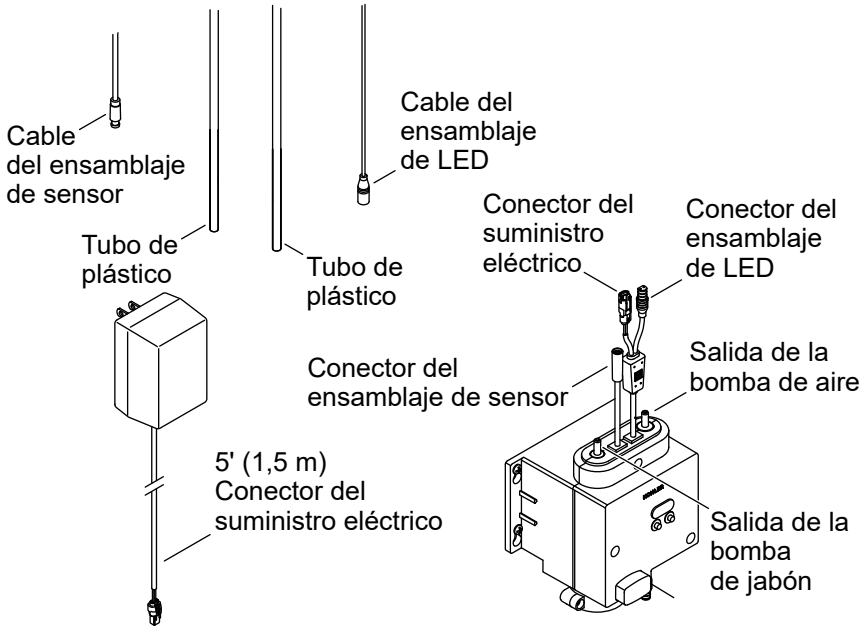
¡IMPORTANTE! La instalación no debe exceder 2 dispensadores de jabón y 2 griferías en una fuente de suministro múltiple.

- Instale el suministro de CA bajo la cubierta con los 2 tornillos que se incluyen. Oriente como se muestra.
- Retire la cubierta.
- Conecte el cable de la grifería a la grifería. Mantenga un lazo de goteo al hacer la conexión.
- De ser necesario, corte y pele los cables de la fuente de suministro de CA a la longitud deseada.
- Conecte los extremos pelados al bloque de terminales inferior en la caja de la fuente de alimentación.
- Fije la cubierta de la caja de terminales a la caja de terminales.

NOTA: Los cables de suministro de CA están disponibles en longitudes de 4, 6, 8, 10 y 12 pies.

- Conecte el cable de suministro eléctrico de la caja de control al cable del suministro eléctrico múltiple de CA SKU 13481-NA. Mantenga un lazo de goteo al hacer la conexión.
- Enchufe el suministro de CA al tomacorriente de pared.
- Fije el exceso de cable bajo la encimera.

8. Conecte los cables de la caja de control



¡IMPORTANTE! Verifique que los cables no queden pellizcados al conectarlos a la caja de control.

¡IMPORTANTE! No debe haber objetos en el área frente al sensor durante el ciclo de aprendizaje de 2 minutos, ya que el dispensador de jabón podría no funcionar bien.

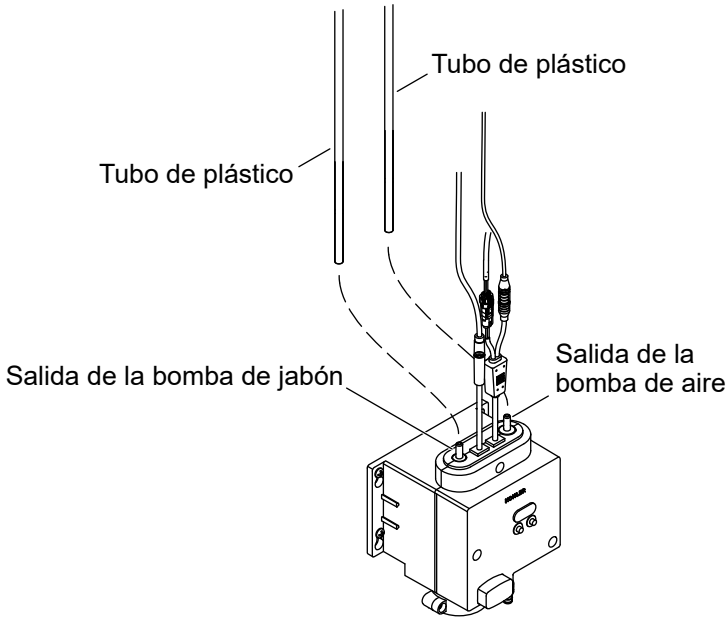
- Conecte el cable del sensor del surtidor al cable del sensor de la caja de control.
- Conecte el cable LED del surtidor al cable LED de la caja de control.
- Conecte el conector del suministro eléctrico del compartimiento de pilas al conector del suministro eléctrico de la caja de control.
- Espere 2 minutos para que el sensor cicle a través de la distancia de detección automática.

NOTA: Una vez que los cables de suministro eléctrico queden conectados a la base, aparecen 2 destellos rojos cada 6 segundos en el dispensador de jabón. Eso es normal

y es una señal de que ya no hay jabón en el depósito. El centelleo se detendrá una vez que haya llenado la unidad con jabón y la haya cebado.

- Fije el cable adicional debajo de la encimera.

9. Conecte los tubos



NOTA: Los tubos de plástico son intercambiables. Cualquiera de los tubos se puede conectar a la salida de la bomba de jabón o la bomba de aire.

¡IMPORTANTE! Verifique que los tubos no queden pellizcados al conectarlos a las salidas de la caja de control. No haga lazos con estos tubos. Los tubos no deben colgar más abajo de la salida de la caja de control.

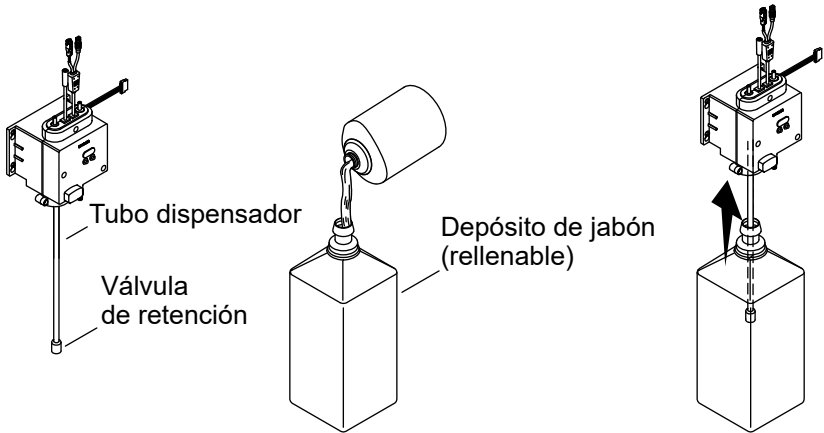
Conexiones de la bomba de jabón

- Verifique que el tubo de jabón del surtidor sea de la longitud apropiada para llegar hasta la caja de control.
- El tubo no debe colgar más abajo de la salida de la caja de control. De ser necesario, recorte el tubo.
- Oprima el tubo de plástico en la salida de la bomba de jabón en la caja de control hasta que el tubo se detenga.
- Verifique que el tubo quede fijo.

Conexiones de la bomba de aire

- Verifique que el tubo de aire del surtidor sea de la longitud apropiada para llegar a la caja de control.
- El tubo no debe colgar más abajo de la salida de la caja de control. De ser necesario, recorte el tubo.
- Oprima el tubo de plástico restante en la salida de la bomba de aire en la caja de control hasta que el tubo se detenga.
- Verifique que el tubo quede fijo.

10. Llène el depósito de jabón



NOTA: Se incluye el depósito de jabón de 1600 ml. Busque en kohler.com/serviceparts el depósito de jabón opcional de 800 ml.

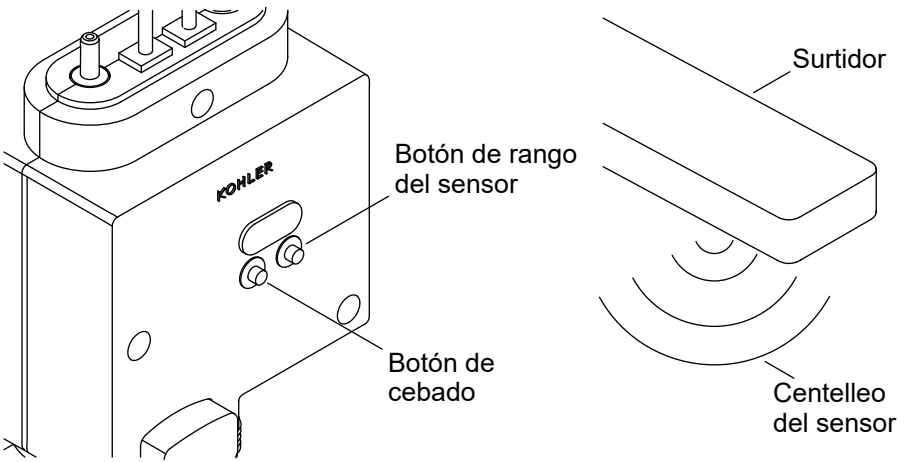
- En el caso de botellas de depósito de jabón de 800 ml, retire la válvula de retención del tubo dispensador. Recorte 2 pulg. del tubo dispensador para que el tubo se ajuste sin necesidad de hacer lazos. Vuelva a instalar la válvula de retención.

NOTA: Consulte más información acerca de los requisitos del jabón para este producto en la sección de Requisitos del jabón.

¡IMPORTANTE! Antes de usar por primera vez, enjuague el depósito de jabón vacío con agua tibia y limpia.

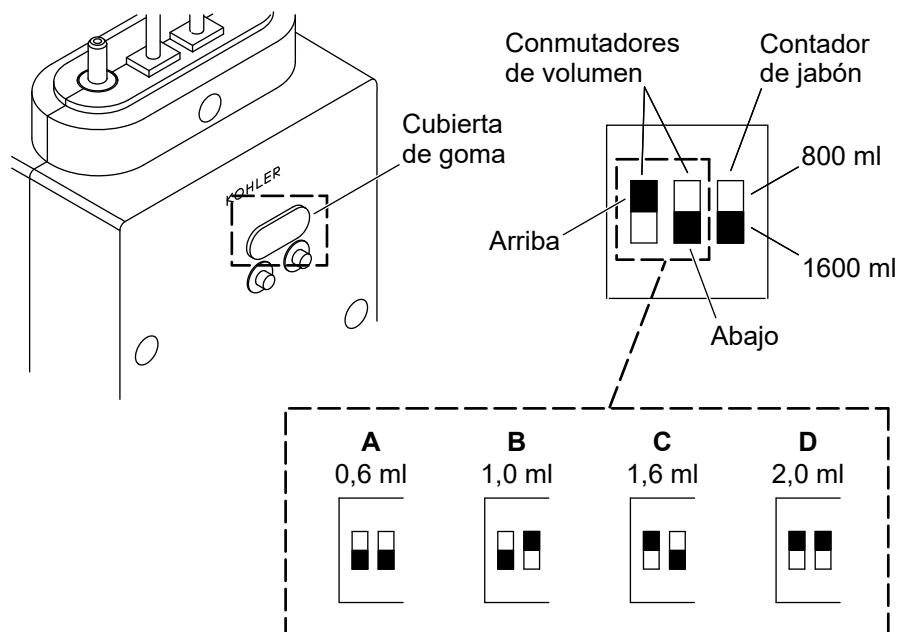
- Llène el depósito con jabón espumante de manos de Kohler hasta la línea que dice "Max Fill". No llene de más el depósito de jabón.
- Introduzca el tubo dispensador de la unidad de control en el depósito de jabón.
- Oprima el depósito de jabón en su lugar hasta que escuche un chasquido.

11. Prepare el dispensador de jabón



- Oprima el botón de cebado en la unidad de control hasta que el jabón salga de la boquilla del surtidor – aproximadamente 10 segundos.

12. Establezca el volumen de jabón a dispensar



¡IMPORTANTE! Hay 4 opciones disponibles para controlar la cantidad de jabón a dispensar. La opción deseada se establece al oprimir los conmutadores de volumen hacia arriba o hacia abajo.

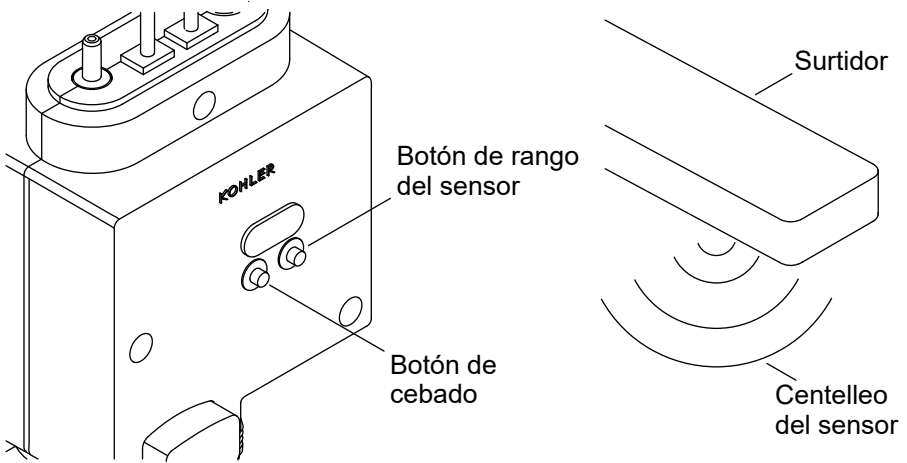
NOTA: El dispensador viene equipado con un depósito de 1600 ml, y el contador de jabón está configurado a la posición de 1600 ml. Si se usa un depósito de 800 ml, cambie el contador de jabón a la posición de 800 ml.

- Levante la cubierta de goma para obtener acceso a los conmutadores de control.
- Establezca la posición de los 2 conmutadores de volumen al volumen deseado de jabón a dispensar. Consulte las opciones de selección que aparecen arriba.
- Verifique que el conmutador del contador de jabón esté en la posición correcta para el tamaño de su depósito.
- En la siguiente tabla consulte el número disponible de veces que se dispense jabón de acuerdo a la selección de volumen y al tamaño del depósito lleno de 800 ml o 1600 ml.

| Configuración | Volumen a dispensar de jabón | Conteo de jabón (1600 ml) | Conteo de jabón (800 ml) |
|---------------|------------------------------|---------------------------|--------------------------|
| A | 0.6 ml | 2400 | 1200 |
| B | 1.0 ml | 1440 | 720 |
| C | 1.6 ml | 900 | 450 |
| D | 2.0 ml | 720 | 360 |

Vuelva a instalar la cubierta de goma.

13. Establezca el rango del sensor



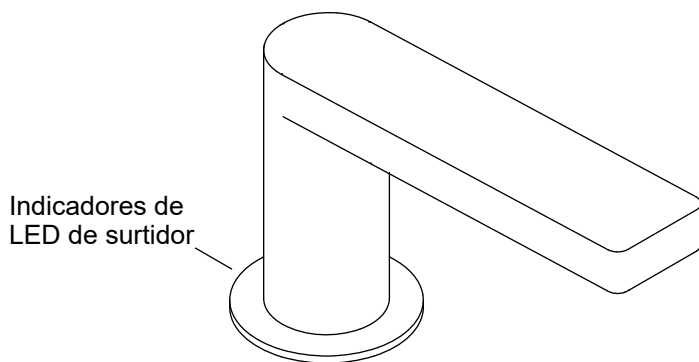
NOTA: Por diseño, la distancia de sensibilidad del sensor es 2-3/4" (70 mm) +/- 3/8" (10 mm)

- Oprima y sostenga oprimido el botón de rango durante 2 segundos hasta que el sensor comience a centellear en rojo.

NOTA: El rango del sensor es de 1" (25 mm) a 4" (102 mm).

- Sostenga un objeto a la distancia deseada frente al sensor.
- La luz centelleará en rojo para señalar que el ajuste al rango del sensor se ha completado.

Indicadores de diodos (LED) del surtidor



AZUL centelleante

La base del dispensador de jabón centelleará en AZUL cada 6 segundos cuando el voltaje sea menor de 4,8 voltios. El dispensador de jabón continuará dispensando jabón.

La base del dispensador de jabón centelleará (dos veces) en AZUL cada 6 segundos cuando el voltaje sea menor de 4,5 voltios. El dispensador de jabón no funcionará. Cambie las pilas.

ROJO centelleante

La base del dispensador de jabón centelleará en ROJO cada 6 segundos cuando haya poco jabón en el depósito. El dispensador de jabón continuará dispensando jabón.

La base del dispensador de jabón centelleará (dos veces) en ROJO cada 6 segundos cuando se haya acabado el jabón en el depósito. El dispensador de jabón ya no podrá dispensar jabón. Rellene el depósito de jabón y vuelva a cebar el dispensador.

Cuidado y limpieza

No use ningún limpiador abrasivo o fuerte para limpiar las griferías.

Para obtener los mejores resultados, tenga presente lo siguiente al limpiar su producto KOHLER:

Siempre pruebe la solución de limpieza en un área oculta antes de aplicarla a toda la superficie. Busque productos de limpieza de griferías Kohler en kohler.com/clean.

Limpie las superficies con un paño, y enjuague completa e inmediatamente con agua después de haber aplicado algún limpiador. Enjuague y seque las superficies cercanas donde hayan caído salpicaduras.

No deje los limpiadores mucho tiempo en las superficies.

Utilice una esponja humedecida, o un paño suave y húmedo. Para limpiar las superficies nunca utilice materiales abrasivos, como cepillos o estropajos.

Al limpiar otras áreas del baño asegúrese de que las lentes de los sensores estén protegidas de otras sustancias químicas o solventes de limpieza para evitar daños potenciales a los sensores y a los sistemas electrónicos.

Se recomienda enjuagar el sistema con agua tibia cada 2 a 3 meses.

- Retire y limpie el ensamblaje de espumación en la boquilla con agua tibia.
- Retire y limpie con agua tibia la válvula de retención del tubo dispensador en el depósito de jabón.
- Llene el depósito de jabón con una cantidad mínima de agua tibia y limpia.
- Vuelva a unir el depósito de jabón a la caja de control. Oprima el botón de cebado del sistema. Sostenga oprimido el botón hasta que toda el agua haya salido del sistema.
- Rellene el depósito de jabón con jabón. Oprima el botón de cebado del sistema y sostenga oprimido el botón hasta que toda el agua residual pase a través de la bomba y salga jabón.

Resolución de problemas

Esta guía de resolución de problemas está diseñada únicamente como ayuda general. Para obtener servicio de garantía, comuníquese con su concesionario, su distribuidor mayorista, o llame al 1-800-4KOHLER.

| Síntomas | Causa probable | Acción recomendada |
|---|--|---|
| Una luz roja de LED centellea en la base del dispensador de jabón una vez cada 6 segundos. | A. Hay poco jabón en el depósito (70 % del ciclo usado después del cebado). | A. Rellene el depósito con jabón. Cebe el dispensador de jabón. |
| Una luz roja de LED centellea en la base del dispensador de jabón 2 veces cada 6 segundos. | A. No hay jabón, o hay poco, en el depósito (90 % del ciclo usado después del cebado). | A. Rellene el depósito con jabón. Cebe el dispensador de jabón. |
| Una luz azul de LED centellea en la base del dispensador de jabón una vez cada 6 segundos. | A. Las pilas están bajas (menos de 4,8 voltios). | A. Cambie las pilas y cebe el dispensador de jabón. |
| 4. Una luz azul de LED centellea en la base del dispensador de jabón 2 veces cada 6 segundos. | A. Las pilas están agotadas (menos de 4,5 voltios). | A. Cambie las pilas y cebe el dispensador de jabón. |

| Síntomas | Causa probable | Acción recomendada |
|---|---|---|
| 5. No sale jabón. | <p>A. La lente del sensor está sucia.</p> <p>B. El cable del sensor está desconectada.</p> <p>C. Un tubo (jabón o aire) está desconectado.</p> <p>D. No hay suministro eléctrico, o las conexiones están mal hechas.</p> <p>E. La bomba de jabón no ha sido cebada después de rellenar.</p> <p>F. El tubo dispensador o la válvula de retención está bloqueado.</p> <p>G. Hay un objeto interrumpiendo en el rango del sensor.</p> | <p>A. Limpie la lente del sensor con un paño limpio, seco y suave.</p> <p>B. Vuelva a conectar el cable del sensor.</p> <p>C. Vuelva a conectar el tubo a la caja de control.</p> <p>D. Revise la conexión a la fuente de alimentación eléctrica.</p> <p>E. Ceba la bomba.</p> <p>F. Limpie el tubo dispensador y la válvula de retención con agua tibia.</p> <p>G. Retire el objeto que interrumpe el rango del sensor y espere 20 segundos antes de activar el dispensador de jabón.</p> |
| 6. El volumen dispensado de jabón es poco, o no sale jabón. | <p>A. La boquilla está tapada.</p> <p>B. La válvula de retención está tapada.</p> <p>C. La bomba de jabón no funciona correctamente.</p> | <p>A. Retire la boquilla de jabón y el ensamblaje de espumación. Límpielos con agua tibia.</p> <p>B. Retire la válvula de retención del tubo dispensador. Límpiela con agua tibia.</p> <p>C. Pida e instale una nueva bomba de jabón.</p> |

| Síntomas | Causa probable | Acción recomendada |
|---|---|--|
| 7. Solo salen burbujas de aire. | A. La salida de la bomba de jabón está tapada. B. La bomba de jabón tiene una fuga. | A. Retire el tubo de la bomba de jabón. Limpie la salida de la bomba de jabón con agua tibia. B. Pida e instale una nueva bomba de jabón. |
| 8. No sale espuma. Solo sale jabón líquido. | A. La bomba de aire está desconectada. B. La bomba o el tubo de aire está tapado. C. La bomba de aire no funciona. | A. Revise la conexión de la bomba de aire, y vuelva a conectar el tubo a la caja de control. B. Retire el tubo de la bomba de aire. Limpie la salida de la bomba de aire con agua tibia. C. Pida e instale una nueva bomba de aire. |

USA/Canada: 1-800-4KOHLER (1-800-456-4537)
Mexico: 001-800-456-4537
kohler.com

THE BOLD LOOK
OF **KOHLER**®

©2020 Kohler Co.



1419480-2

1419480-2-A