



**RUSTIK™**

**BF1487**

**Floormount 2-Piece Tub Filler With Handshower**

**SPECIFICATIONS**

**Features**

- Solid brass construction
- Integral check valves
- Flexible 60" hose
- Laminar hidden and adjustable stream
- Ceramic disc valve cartridge

**Colors (Finishes)**

- Chrome : BF1487-110

**Certifications**

The specified model meets or exceeds the following standards;

- ASME A112.18.1 / CSA B125.1
- UPC



**Minimum flow rate**

- 27 liters/min. (7.2 gallons/min.)

**Packaging**

- **Dimensions:**  
1000mm x 373mm x 115mm  
(39 3/8" x 14 5/8" x 4 1/2")
- **Volume:** 1.5 cu ft (0.043 cu m)
- **Total weight:** 19.8 lb (8.98 kg)



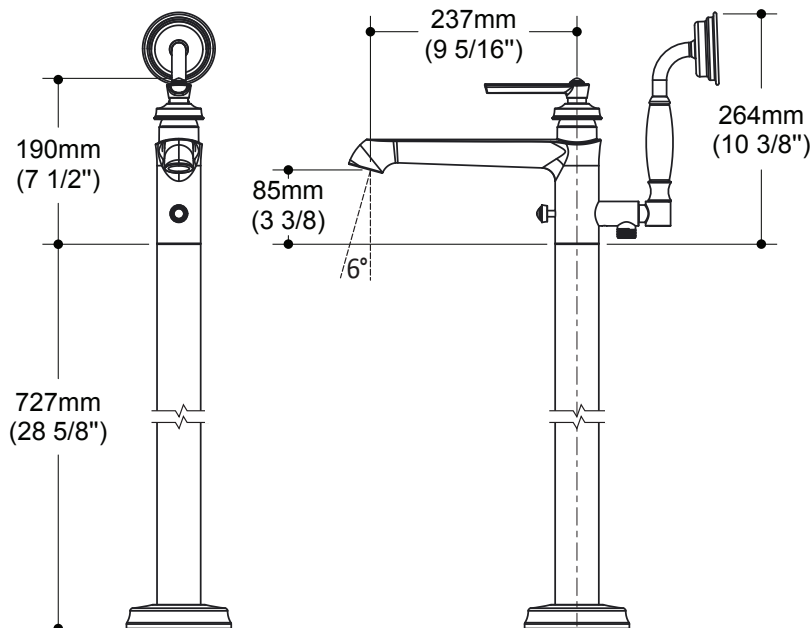
**Installation Notes**

This product must be installed following the installation instructions provided.

**WARRANTY**

Kalia Inc. guarantees all aspects of its products to be free of defects in material and workmanship for normal residential use. **Refer to the warranty included with the Kalia products for details.**

Product dimensions:



**Important:** Dimensions are approximated and are subject to changes. Please refer to the installation instructions.

**Kalia inc.**  
1355, 2nd Street  
Sainte-Marie (Quebec)  
Canada G6E 1G9

t. 1-418-387-9090  
1 877 GO KALIA (1-877-465-2542)  
f. 1-418-387-9089  
www.KaliaStyle.com