



Features

- Solid brass construction
- Integral check valves
- Flexible 60” hose
- Regular hidden stream
- Integrated diverter
- Ceramic disc valve cartridge

Color (Finish)

- Chrome : BF1221-110
- Brushed nickel PVD : BF1221-120

Certifications

The specified model meets or exceeds the following standards;

- ASME A112.18.1
- CSA B125.1



Packaging

- **Dimensions:**
762mm x 413mm x 146mm
(30” x 16 1/4” x 5 3/4”)
- **Volume:** 1.62 cu ft (0.046 cu m)
- **Total weight:** 13.5 lb (6.12 kg)



Installation Notes

This product must be installed following the installation instructions provided.

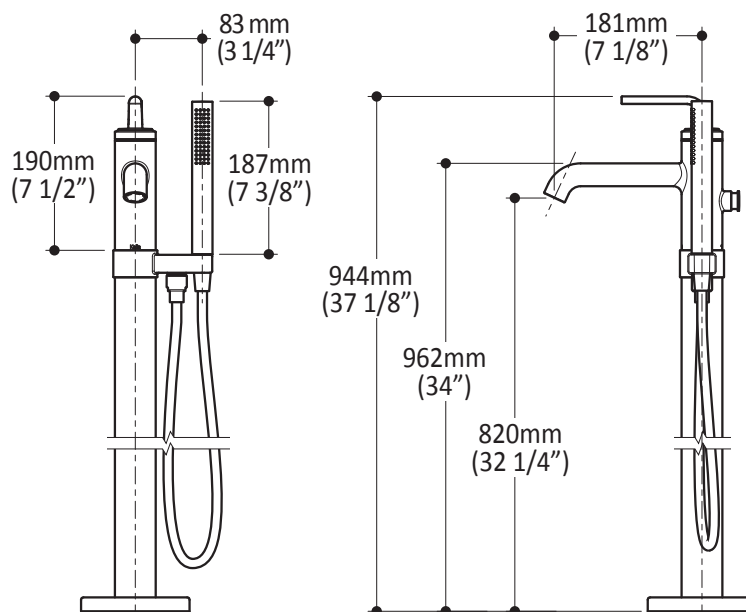
Flow Rate

- 1/2” supply: 28.8 liters/min. (7.6 US gallons/min.) at 60 PSI.
- 3/4” supply: 36.3 liters/min. (9.6 US gallons/min.) at 60 PSI.

WARRANTY

Kalia Inc. guarantees all aspects of its products to be free of defects in material and workmanship for normal residential use. **Refer to the warranty included with the Kalia products for details.**

Product dimensions:



Important: Dimensions are approximated and are subject to changes. Please refer to the installation instructions.

Kalia inc.
1355, 2nd Street
Sainte-Marie (Quebec)
Canada G6E 1G9

t. 1-418-387-9090
1 877 GO KALIA (1-877-465-2542)
f. 1-418-387-9089
www.KaliaStyle.com