



ONCE UPON A TIME...WATER®

**BF1602-XXX-100****PLUS: TD3 Thermostatic Shower System*****SPECIFICATIONS*****Components included**

- BF1378-XXX\*: Rainhead with 90° wall arm
- 102850-XXX\*: 2-jet handshower (2 direct functions and 1 shared function)
- 101323-XXX\*: Wallbar
- 101620-XXX\*: 60" flexible and soft PVC hose
- BF1148-XXX\*: AQUATONIK™ type T/P 1/2" valve and decorative trim
- BF1538-XXX\*: 1/2" Volume control valve 3-way diverter and decorative trim (3 direct positions, 2 shared positions and 1 closed position)
- 102847-XXX\*: Wall outlet
- 101526-XXX\* : Tub spout

\*XXX means that the finish color must be specified.

**Colors (Finishes)**

- Chrome : BF1602-110-100
- Brushed Nickel PVD : BF1602-120-100

**Certifications**

The specified model meets or exceeds the following standards;

- ASME A112.18.1 / CSA B125.1
- ICC A117.1



See the following sheets for the technical features of each component.

**Installation Notes**

This product must be installed following the installation instructions provided.

**WARRANTY**

Kalia Inc. guarantees all aspects of its products to be free of defects in material and workmanship for normal residential use. **Refer to the warranty included with the Kalia products for details.**



ONCE UPON A TIME...WATER®

1355, 2<sup>nd</sup> Street  
Sainte-Marie (Quebec)  
Canada G6E 1G9

T 418-387-9090  
1-877-GO-KALIA (1-877-465-2542)  
F 418-387-9089

**KaliaStyle.com**





ONCE UPON A TIME...WATER®

# BF1378

## PLUS: Rainhead and 90° Wallarm

### SPECIFICATIONS

#### Features

- Water 1/2" male inlet NPT
- Diameter of 254mm (10")
- Anti-scale system with soft sprays
- Adjustable orientation swivel
- PVD finish (Physical Vapour Deposit): A high technology process that protects the surface finish for increased durability

#### Packaging

- **Dimensions:** 406mm x 324mm x 133mm (16" x 12 3/4" x 5 1/4")
- **Volume:** 0.62 cu ft (0.018 cu m)
- **Total weight:** 2.56 lb (1.16 kg)



#### Maximum flow rate

- 9.5 liters/min. (2.5 gallons/min.) at 80 psi

#### Colors (Finishes)

- Chrome : BF1378-110
- Brushed Nickel PVD : BF1378-120

#### Certifications

The specified model meets or exceeds the following standards;

- ASME A112.18.1 / CSA B125.1



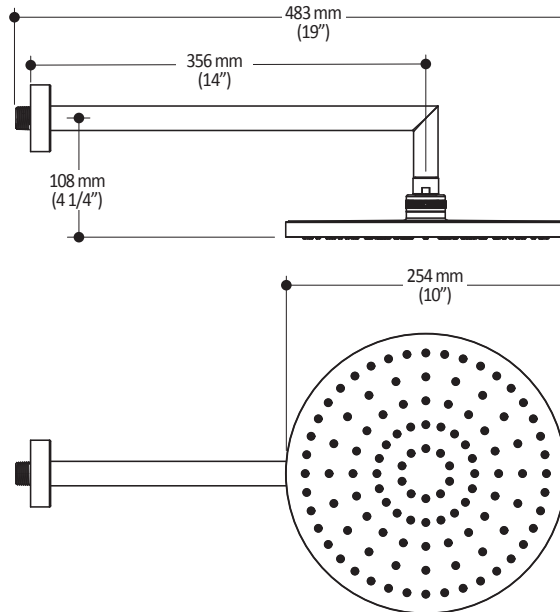
#### Installation Notes

This product must be installed following the installation instructions provided.

#### WARRANTY

Kalia Inc. guarantees all aspects of its products to be free of defects in material and workmanship for normal residential use. **Refer to the warranty included with the Kalia products for details.**

Product dimensions:



**Important:** Dimensions are approximated and are subject to changes. Please refer to the installation instructions.



ONCE UPON A TIME...WATER®

1355, 2<sup>nd</sup> Street  
Sainte-Marie (Quebec)  
Canada G6E 1G9

T 418-387-9090  
1-877-GO-KALIA (1-877-465-2542)  
F 418-387-9089

KaliaStyle.com





# Kalia

ONCE UPON A TIME...WATER®

## 102850

### PLUS: 2-Jet Handshower

#### SPECIFICATIONS

#### Features

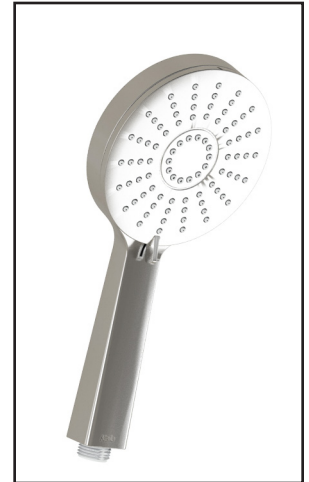
- Diameter of 121mm (4 3/4")
- Anti-scale system with soft sprays
- Water G1/2 male inlet
- 2 direct positions and 1 shared position
- PVD finish (Physical Vapour Deposit): A high technology process that protects the surface finish for increased durability

#### Packaging

- **Dimensions:** 349mm x 171mm x 178mm (13 3/4" x 6 3/4" x 7")
- **Volume:** 0.375 cu ft (0.01 cu m)
- **Total weight:** 0.69 lb (0.315 kg)

#### Maximum flow rate

- 9.5 liters/min. (2.5 gallons/min.) at 80 psi



#### Colors (Finishes)

- Chrome : 102850-110
- Brushed Nickel PVD : 102850-120

#### Certifications

The specified model meets or exceeds the following standards;

- ASME A112.18.1 / CSA B125.1



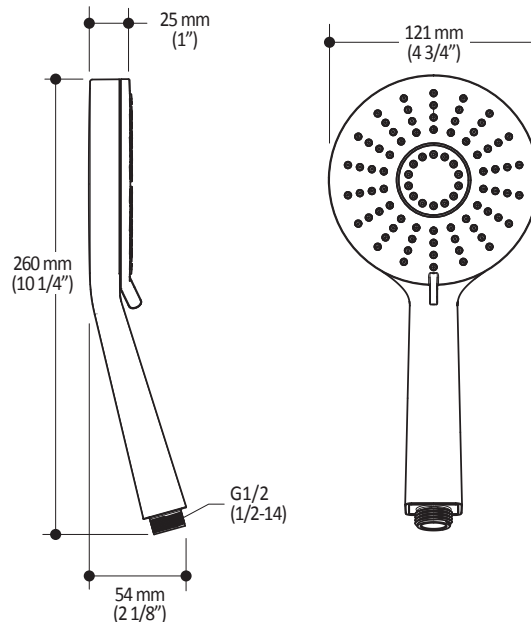
#### Installation Notes

This product must be installed following the installation instructions provided.

#### WARRANTY

Kalia Inc. guarantees all aspects of its products to be free of defects in material and workmanship for normal residential use. **Refer to the warranty included with the Kalia products for details.**

Product dimensions:



**Important:** Dimensions are approximated and are subject to changes. Please refer to the installation instructions.



# Kalia

ONCE UPON A TIME...WATER®

1355, 2<sup>nd</sup> Street  
Sainte-Marie (Quebec)  
Canada G6E 1G9

T 418-387-9090  
1-877-GO-KALIA (1-877-465-2542)  
F 418-387-9089

[KaliaStyle.com](http://KaliaStyle.com)



**Features**

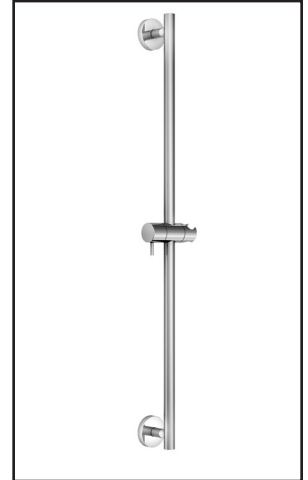
- Total height of 762mm (30")
- Locking system of 1/4 turn
- PVD finish (Physical Vapour Deposit): A high technology process that protects the surface finish for increased durability

**Colors (Finishes)**

- Chrome : 101323-110
- Brushed Nickel PVD : 101323-120

**Packaging**

- **Dimensions:** 832mm x 152mm x 89mm  
(32 3/4" x 6" x 3 1/2")
- **Volume:** 0.40 cu ft (0.011 cu m)
- **Total weight:** 1.9 lb (0.86 kg)

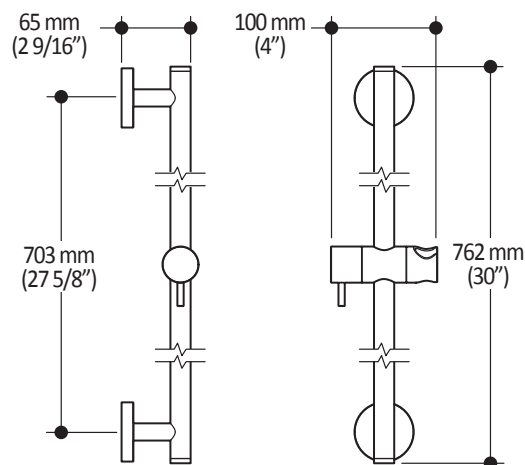
**Installation Notes**

This product must be installed following the installation instructions provided.

**WARRANTY**

Kalia Inc. guarantees all aspects of its products to be free of defects in material and workmanship for normal residential use. **Refer to the warranty included with the Kalia products for details.**

*Product dimensions:*



**Important:** Dimensions are approximated and are subject to changes. Please refer to the installation instructions.

**Kalia inc.**  
1355, 2nd Street  
Sainte-Marie (Quebec)  
Canada G6E 1G9

t. 1-418-387-9090  
1 877 GO KALIA (1-877-465-2542)  
f. 1-418-387-9089  
www.KaliaStyle.com

**Features**

- Solid brass construction
- No visible screw
- Integrated service stops with check valve
- Male water inlet 1/2NPT threaded or welded
- Can be installed back-to-back
- Total adjustment of 19 mm (3/4")
- Optional lever included

**Colors (Finishes)**

- Chrome : BF1148-110
- Brushed Nickel PVD : BF1148-120

**Certifications**

The specified model meets or exceeds the following standards;

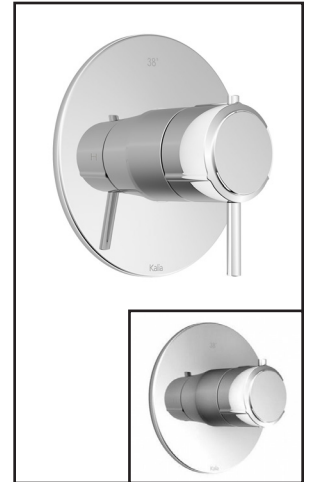
- ASME A112.18.1 / CSA B125.1
- ICCA117.1


**Packaging**

- **Dimensions:** 370 mm x 190 mm x 205 mm (14 5/8 x 7 1/2 x 8 1/8)
- **Volume:** 0.014 cu m (0.51 cu ft)
- **Total weight:** 2.43 kg (5.35 lb)

**Maximum flow rate**

- 30 liters/min. (7.9 gallons/min.) at 60 psi

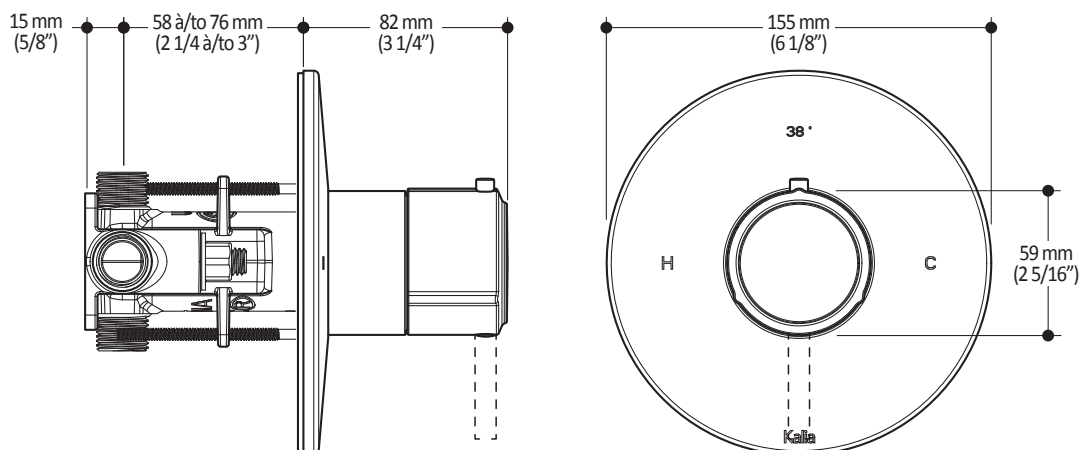

**Installation Notes**

This product must be installed following the installation instructions provided.

**WARRANTY**

Kalia Inc. guarantees all aspects of its products to be free of defects in material and workmanship for normal residential use. **Refer to the warranty included with the Kalia products for details.**

Product dimensions:



**Important:** Dimensions are approximated and are subject to changes. Please refer to the installation instructions.

**Kalia inc.**  
 1355, 2nd Street  
 Sainte-Marie (Quebec)  
 Canada G6E 1G9

t. 1-418-387-9090  
 1 877 GO KALIA (1-877-465-2542)  
 f. 1-418-387-9089  
 www.KaliaStyle.com

**Features**

- No visible screw
- Water 1/2" male inlet NPT threaded
- Solid brass construction
- Total adjustment of 19 mm (3/4")
- Support for better stability during installation included

**Colors (Finishes)**

- Chrome : BF1538-110
- Brush Nickel : BF1538-120

**Packaging**

- **Dimensions:** 305mm x 117mm x 92mm  
(12" x 4 5/8" x 3 5/8")
- **Volume:** 0.12 cu ft (0.003 cu m)
- **Total weight:** 2.2 lb (1.0 kg)

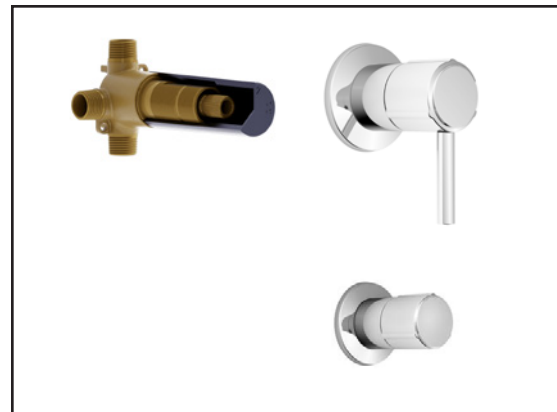
**Maximum flow rate**

- 1 outlet: 22.5 liters/min. (6 gallons/min.) at 60 psi
- 2 outlet: 23.5 liters/min. (6.7 gallons/min.) at 60 psi

**Certifications**

The specified model meets or exceeds the following standards;

- ASME A112.18.1 / CSA B125.1
- ICC A117.1



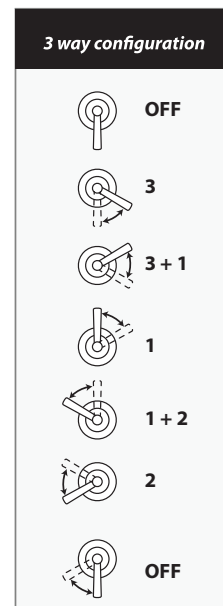
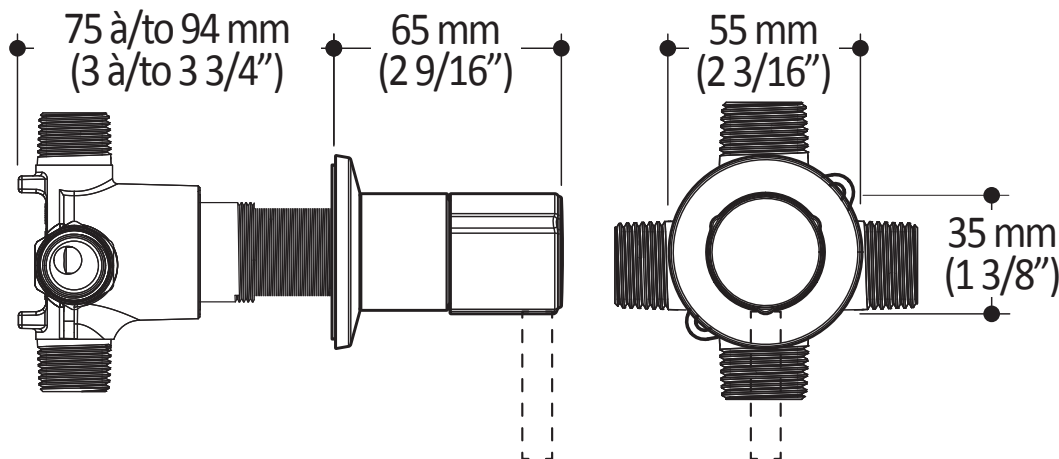
**Installation Notes**

This product must be installed following the installation instructions provided.

**WARRANTY**

Kalia Inc. guarantees all aspects of its products to be free of defects in material and workmanship for normal residential use. Refer to the warranty included with the Kalia products for details.

Product dimensions:



**Important:** Dimensions are approximated and are subject to changes. Please refer to the installation instructions.

**Kalia inc.**  
1355, 2nd Street  
Sainte-Marie (Quebec)  
Canada G6E 1G9

t. 1-418-387-9090  
1 877 GO KALIA (1-877-465-2542)  
f. 1-418-387-9089  
www.KaliaStyle.com



# 102847 Wall Outlet

## SPECIFICATIONS

### Features

- Water 1/2" NPT (male or female) inlet
- Water G1/2 male outlet
- Solid brass construction
- PVD finish (Physical Vapour Deposit): A high technology process that protects the surface finish for increased durability

### Colors (Finishes)

- Chrome : 102847-110
- Brushed Nickel PVD : 102847-120

### Certifications

The specified model meets or exceeds the following standards;

- ASME A112.18.1 / CSA B125.1



### Packaging

- **Dimensions:** 305mm x 117mm x 92mm (12" x 4 5/8" x 3 5/8")
- **Volume:** 0.12 cu ft (0.003 cu m)
- **Total weight:** 0.40 lb (0.18 kg)



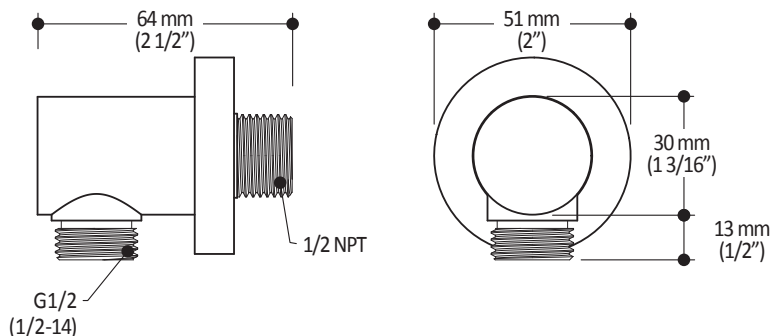
### Installation Notes

This product must be installed following the installation instructions provided.

### WARRANTY

Kalia Inc. guarantees all aspects of its products to be free of defects in material and workmanship for normal residential use. **Refer to the warranty included with the Kalia products for details.**

Product dimensions:



**Important:** Dimensions are approximated and are subject to changes. Please refer to the installation instructions.

**Kalia inc.**  
1355, 2nd Street  
Sainte-Marie (Quebec)  
Canada G6E 1G9

t. 1-418-387-9090  
1 877 GO KALIA (1-877-465-2542)  
f. 1-418-387-9089  
www.KaliaStyle.com