



ONCE UPON A TIME...WATER®

BF1433-XXX**STANDARD: TD2 Thermostatic Shower System****SPECIFICATIONS****Components included**

- BF1148-XXX*: AQUATONIK™ type T/P 1/2" valve decorative trim
- BF1441-XXX*: 2-way 1/2" diverter and decorative trim (operates 1 or 2 components at a time)
- BF1375-XXX*: Rainhead with 90° wall arm
- 102852-XXX*: 3-jet handshower (3 direct functions and 2 shared functions and 1 closed function)
- 101323-XXX*: Wallbar
- 101620-XXX*: 60" flexible and soft PVC hose
- 102847-XXX*: Wall outlet

*XXX means that the finish color must be specified.

Colors (Finishes)

- Chrome: BF1433-110
- Brushed Nickel PVD: BF1433-120

Certifications

The specified model meets or exceeds the following standards;

- ASME A112.18.1 / CSA B125.1



See the following sheets for the technical features of each component.

Installation Notes

This product must be installed following the installation instructions provided.

WARRANTY

Kalia Inc. guarantees all aspects of its products to be free of defects in material and workmanship for normal residential use. **Refer to the warranty included with the Kalia products for details.**



ONCE UPON A TIME...WATER®

1355, 2nd Street
Sainte-Marie (Quebec)
Canada G6E 1G9

T 418-387-9090
1-877-GO-KALIA (1-877-465-2542)
F 418-387-9089

KaliaStyle.com





BF1148

AQUATONIK™ type T/P 1/2" valve and decorative trim

SPECIFICATIONS

Features

- Solid brass construction
- No visible screw
- Integrated service stops with check valve
- Male water inlet 1/2NPT threaded or welded
- Can be installed back-to-back
- Total adjustment of 19 mm (3/4")
- Optional lever included

Colors (Finishes)

- Chrome : BF1148-110
- Brushed Nickel PVD : BF1148-120

Certifications

The specified model meets or exceeds the following standards;

- ASME A112.18.1 / CSA B125.1
- ICCA117.1

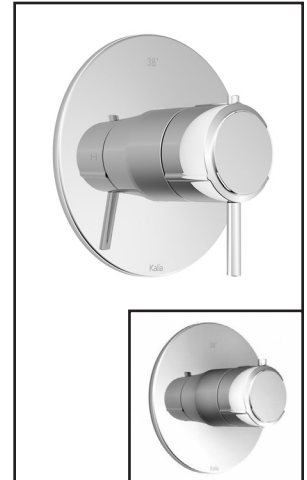


Packaging

- **Dimensions:** 370 mm x 190 mm x 205 mm (14 5/8 x 7 1/2 x 8 1/8)
- **Volume:** 0.014 cu m (0.51 cu ft)
- **Total weight:** 2.43 kg (5.35 lb)

Maximum flow rate

- 30 liters/min. (7.9 gallons/min.) at 60 psi



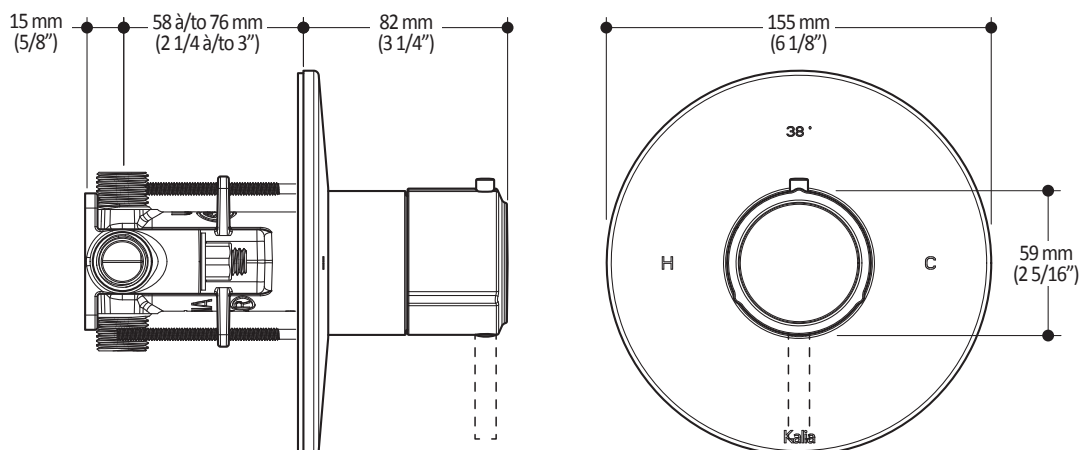
Installation Notes

This product must be installed following the installation instructions provided.

WARRANTY

Kalia Inc. guarantees all aspects of its products to be free of defects in material and workmanship for normal residential use. **Refer to the warranty included with the Kalia products for details.**

Product dimensions:



Important: Dimensions are approximated and are subject to changes. Please refer to the installation instructions.

Kalia inc.
1355, 2nd Street
Sainte-Marie (Quebec)
Canada G6E 1G9

t. 1-418-387-9090
1 877 GO KALIA (1-877-465-2542)
f. 1-418-387-9089
www.KaliaStyle.com



ONCE UPON A TIME...WATER®

BF1441 2-way 1/2" diverter and decorative trim

SPECIFICATIONS

Features

- Solid brass construction
- No visible screw
- Male water inlet 1/2NPT threaded or welded
- Total adjustment of 19 mm (3/4")
- Support for better stability during installation included
- Operates 1 or 2 components at a time

Colors (Finishes)

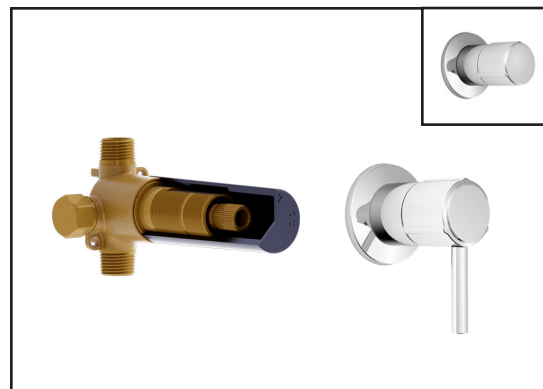
- Chrome : BF1441-110
- Brushed nickel PVD : BF1441-120

Packaging

- **Dimensions :**
315 mm x 125 mm x 115 mm
(12 3/8" x 4 7/8" x 4 1/2")
- **Volume:** 0.004 cu m (0.16 cu ft)
- **Total weight:** 1.02 kg (2.25 lb)

Maximum flow rate

- 1 outlet: 22 liters/min.
(5.8 gallons/min.) at 60 psi
- 2 outlets: 24 liters/min.
(6.4 gallons/min.) at 60 psi



Certifications

The specified model meets or exceeds the following standards;



CSA B125.1
ASME A112.18.1
ICC A117.1

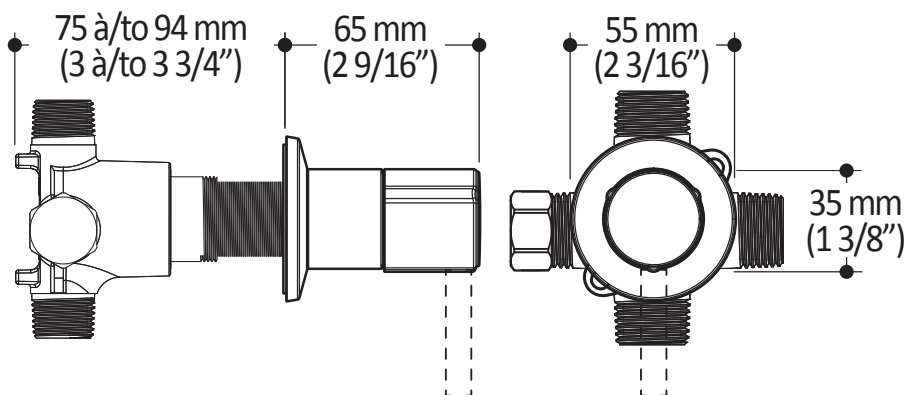
Installation Notes

This product must be installed following the installation instructions provided.

WARRANTY

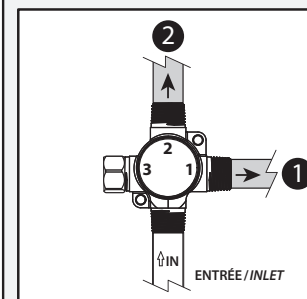
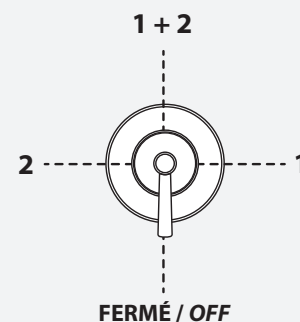
Kalia Inc. guarantees all aspects of its products to be free of defects in material and workmanship for normal residential use. Refer to the warranty included with the Kalia products for details.

Product dimensions:



Important: Dimensions are approximated and are subject to changes. Please refer to the installation instructions.

Configuration 2 voies 2-way configuration



ONCE UPON A TIME...WATER®

1355, 2nd Street, Industrial Park
Sainte-Marie (Québec)
Canada G6E 1G9

T 418-387-9090
1-877-GO-KALIA (1-877-465-2542)
F 418 387-9089

KaliaStyle.com



Caractéristiques

- Entrée d'eau mâle ou femelle 1/2NPT
- Sortie d'eau mâle G1/2
- Construction en laiton massif
- Fini PVS (Pulvérisation de Vapeur Solide): procédé de haute technologie protégeant le fini de surface pour une durabilité accrue

Couleurs (Finis)

- Chrome : 102847-110
- Nickel brossé PVS : 102847-120

Certifications

Le modèle spécifié rencontre ou dépasse les normes suivantes ;



CSA B125.1
ASME A112.18.1



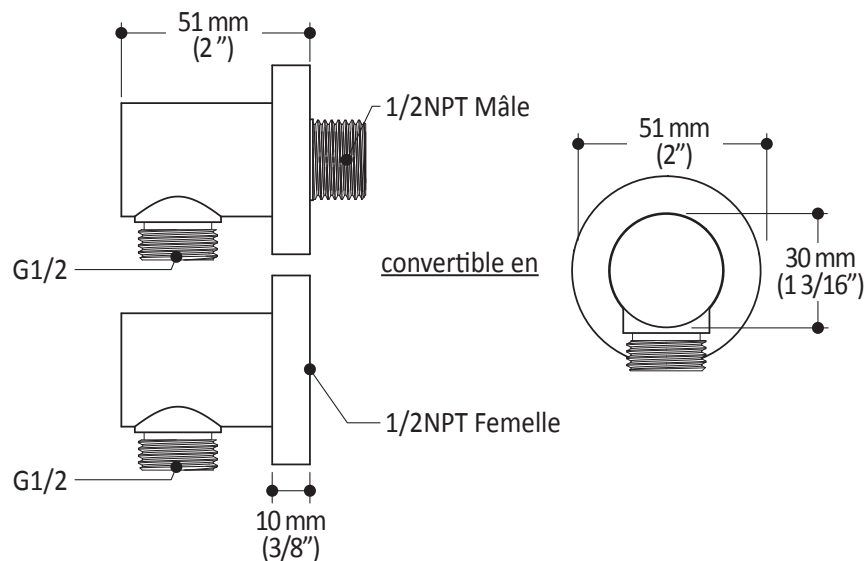
Notes d'installation

L'installation doit être conforme aux instructions d'installation fournies avec le produit.

GARANTIE

Kalia inc. garantit ses produits contre tout défaut de matériel ou de fabrication dans des conditions normales d'utilisation et d'entretien. **Veillez vous référer à la garantie Kalia comprise avec chacun des produits pour obtenir plus de détails.**

Dimensions du produit :



Important : Les dimensions sont approximatives et sont sujettes à changements sans préavis. Veuillez vous référer aux instructions d'installation.



BF1375

STANDARD: Rainhead and 90° Wallarm

SPECIFICATIONS

Features

- Water 1/2" male inlet NPT
- Diameter of 229mm (9")
- Anti-scale system with soft sprays
- Adjustable orientation swivel
- PVD finish (Physical Vapour Deposit): A high technology process that protects the surface finish for increased durability

Packaging

- **Dimensions:** 406mm x 324mm x 133mm (16" x 12 3/4" x 5 1/4")
- **Volume:** 0.62 cu ft (0.018 cu m)
- **Total weight:** 2.14 lb (0.97 kg)



Maximum flow rate

- 9.5 liters/min. (2.5 gallons/min.) at 80 psi

Colors (Finishes)

- Chrome : BF1375-110
- Brushed Nickel PVD : BF1375-120

Certifications

The specified model meets or exceeds the following standards;

- ASME A112.18.1 / CSA B125.1



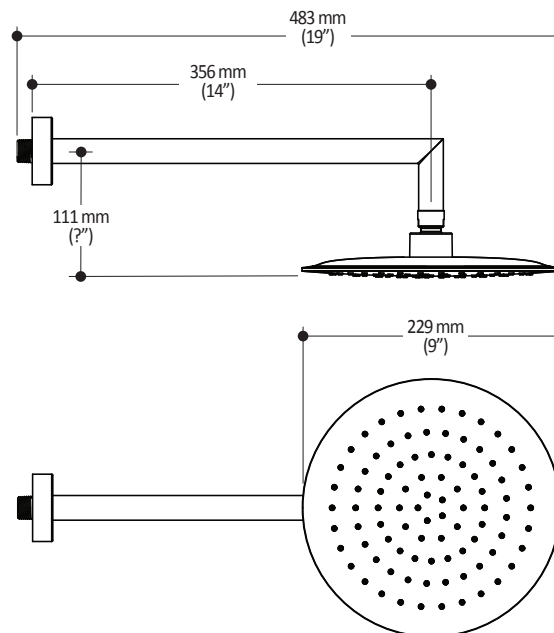
Installation Notes

This product must be installed following the installation instructions provided.

WARRANTY

Kalia Inc. guarantees all aspects of its products to be free of defects in material and workmanship for normal residential use. **Refer to the warranty included with the Kalia products for details.**

Product dimensions:



Important: Dimensions are approximated and are subject to changes. Please refer to the installation instructions.

Kalia inc.
1355, 2nd Street
Sainte-Marie (Quebec)
Canada G6E 1G9

t. 1-418-387-9090
1 877 GO KALIA (1-877-465-2542)
f. 1-418-387-9089
www.KaliaStyle.com

**Features**

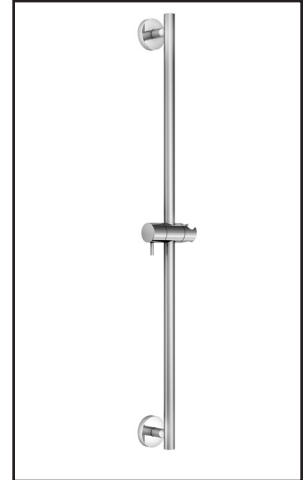
- Total height of 762mm (30")
- Locking system of 1/4 turn
- PVD finish (Physical Vapour Deposit): A high technology process that protects the surface finish for increased durability

Colors (Finishes)

- Chrome : 101323-110
- Brushed Nickel PVD : 101323-120

Packaging

- **Dimensions:** 832mm x 152mm x 89mm
(32 3/4" x 6" x 3 1/2")
- **Volume:** 0.40 cu ft (0.011 cu m)
- **Total weight:** 1.9 lb (0.86 kg)

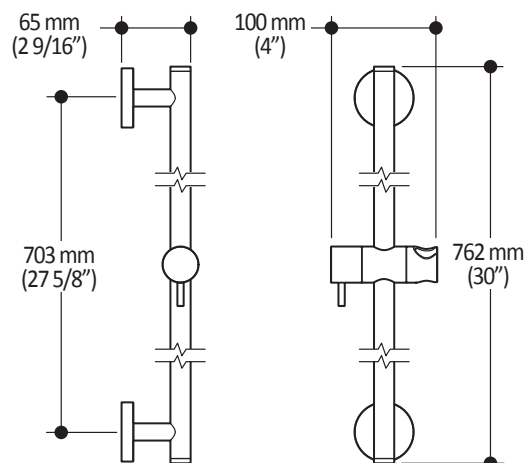
**Installation Notes**

This product must be installed following the installation instructions provided.

WARRANTY

Kalia Inc. guarantees all aspects of its products to be free of defects in material and workmanship for normal residential use. **Refer to the warranty included with the Kalia products for details.**

Product dimensions:



Important: Dimensions are approximated and are subject to changes. Please refer to the installation instructions.

Kalia inc.
1355, 2nd Street
Sainte-Marie (Quebec)
Canada G6E 1G9

t. 1-418-387-9090
1 877 GO KALIA (1-877-465-2542)
f. 1-418-387-9089
www.KaliaStyle.com



102852

STANDARD: 3-Jet Handshower

SPECIFICATIONS

Features

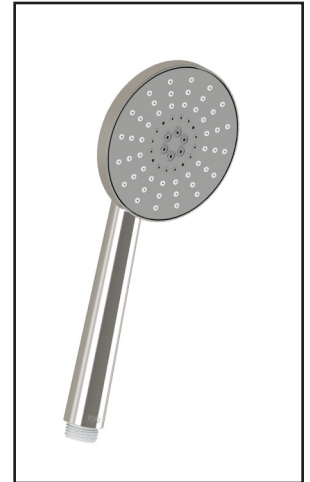
- Diameter of 100mm (4")
- Anti-scale system with soft sprays
- Water G1/2 male inlet
- 3 direct positions and 2 shared positions
- PVD finish (Physical Vapour Deposit): A high technology process that protects the surface finish for increased durability

Packaging

- **Dimensions:** 305mm x 117mm x 92mm (12" x 4 5/8" x 3 5/8")
- **Volume:** 0.12 cu ft (0.003 cu m)
- **Total weight:** 0.47 lb (0.214 kg)

Maximum flow rate

- 9.5 liters/min. (2.5 gallons/min.) at 80 psi



Colors (Finishes)

- Chrome : 102852-110
- Brushed Nickel PVD : 102852-120

Certifications

The specified model meets or exceeds the following standards;

- ASME A112.18.1 / CSA B125.1



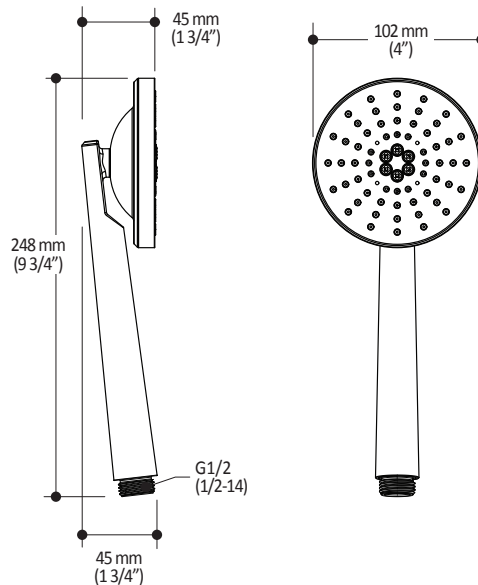
Installation Notes

This product must be installed following the installation instructions provided.

WARRANTY

Kalia Inc. guarantees all aspects of its products to be free of defects in material and workmanship for normal residential use. **Refer to the warranty included with the Kalia products for details.**

Product dimensions:



Important: Dimensions are approximated and are subject to changes. Please refer to the installation instructions.

Kalia inc.
1355, 2nd Street
Sainte-Marie (Quebec)
Canada G6E 1G9

t. 1-418-387-9090
1 877 GO KALIA (1-877-465-2542)
f. 1-418-387-9089
www.KaliaStyle.com