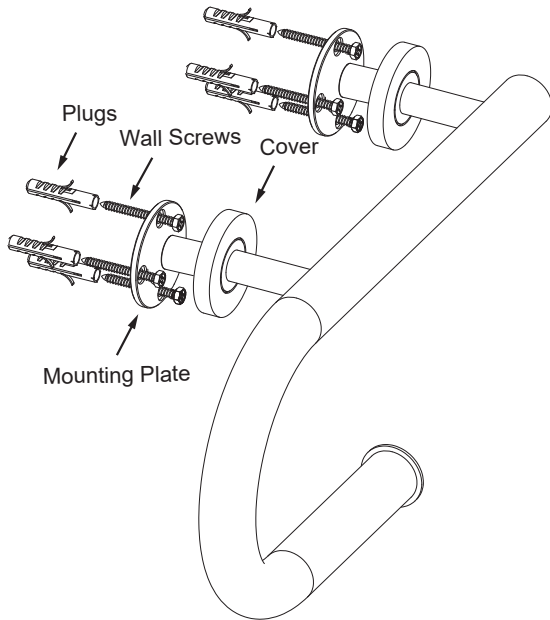


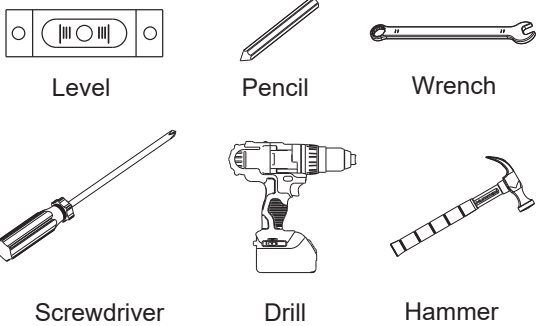
## GRAB BARS SERIES

### GRAB BAR WITH PAPER HOLDER

8289110



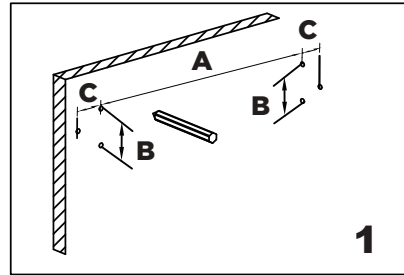
#### Tools required for installation



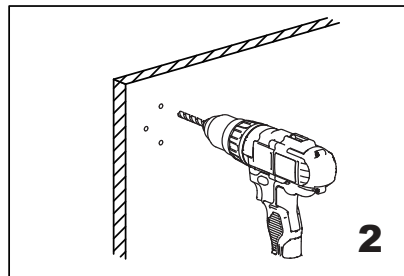
A=Plate TOP holes center to center distance  
 B=Plate TOP hole to BOTTOM hole distance  
 C=Plate TOP/BOTTOM holes to MID hole distance

Product Code	Sizes (Inches/mm)		
	A	B	C
8289110	8 3/4"/220	1 3/4"/45	1"/22.5
8289110L	8 3/4"/220	1 3/4"/45	1"/22.5

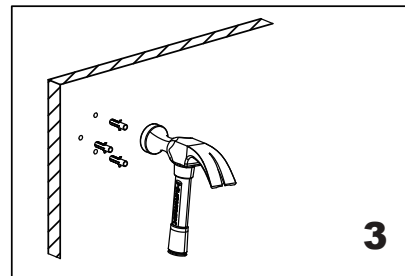
Fig.1



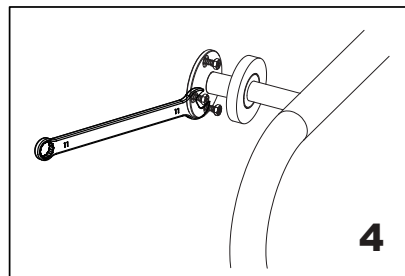
Mark (on the wall) locations of plugs through mounting plate using a pencil, refer to Fig.1



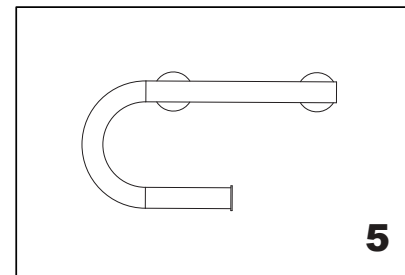
Drill 3/16" holes, make sure to keep drill level



Insert plugs into drilled holes, using a hammer to tap the plugs in, be careful not to break tile



Driver bolt nut directly into holes



Tighten the cover on the Mounting plate