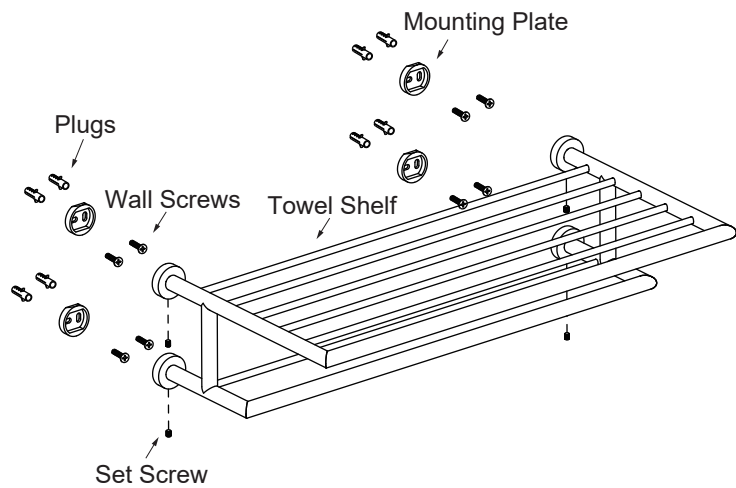


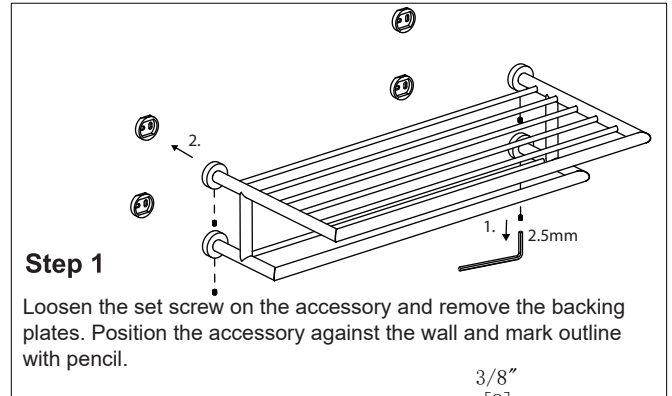
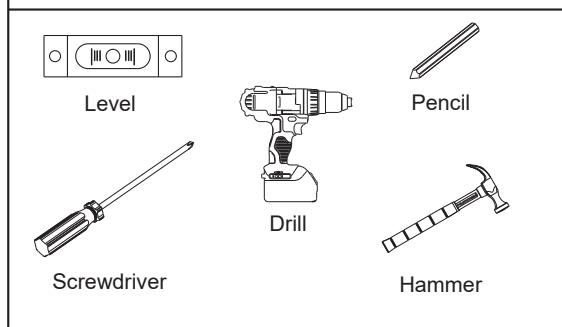
OSLO COLLECTION

TOWEL SHELF W/DOOUBLE BAR

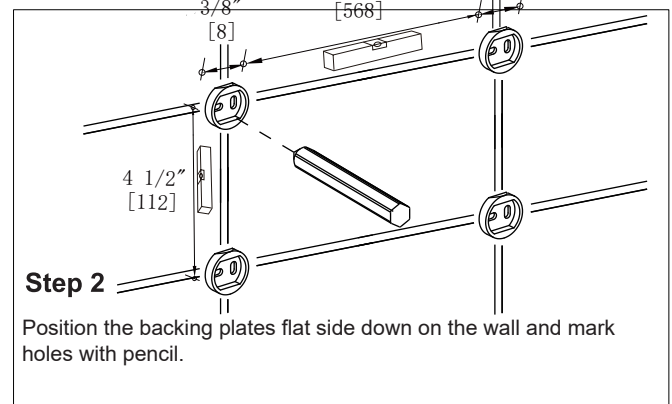
144444



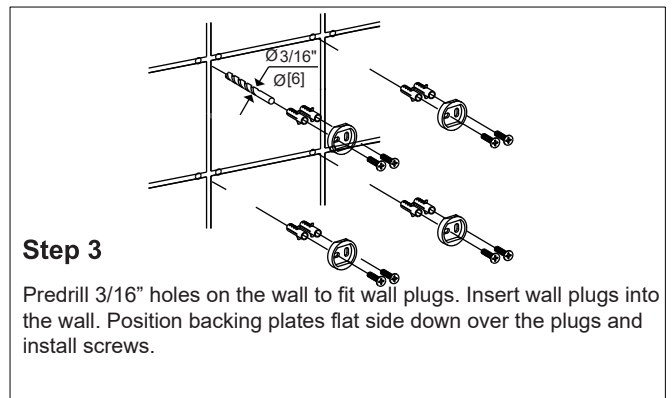
Tools required for installation



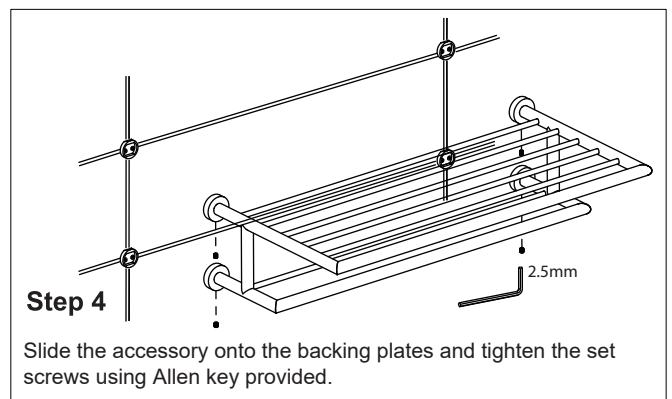
Loosen the set screw on the accessory and remove the backing plates. Position the accessory against the wall and mark outline with pencil.



Position the backing plates flat side down on the wall and mark holes with pencil.



Predrill 3/16" holes on the wall to fit wall plugs. Insert wall plugs into the wall. Position backing plates flat side down over the plugs and install screws.



Slide the accessory onto the backing plates and tighten the set screws using Allen key provided.