

Logis

Single-Hole Faucet 110, 1.2 GPM

Finishes : **brushed nickel** Part no. : **71253821**



Description

Features

- Spray modes: Aerated spray
- Flow: 1.2 GPM (4.5 L/Min)
- Ceramic cartridge
- Does not include: Pop-up assembly

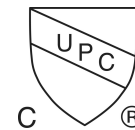
Item details

List Price \$ 277.00

Technology



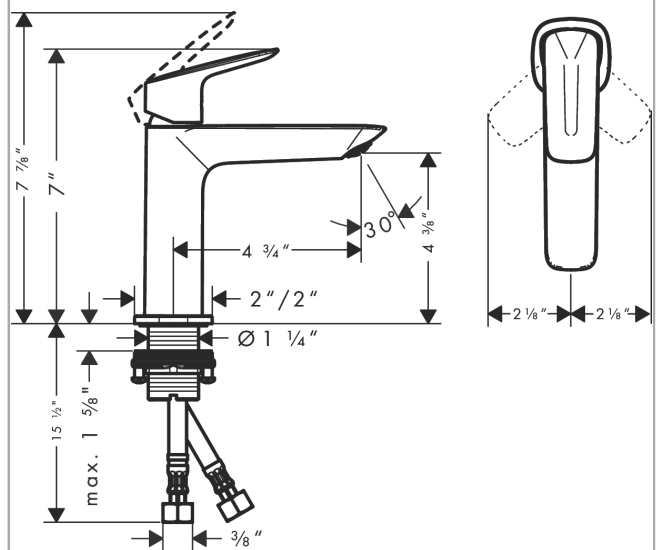
Compliance



Product image



Scale drawing



Logis

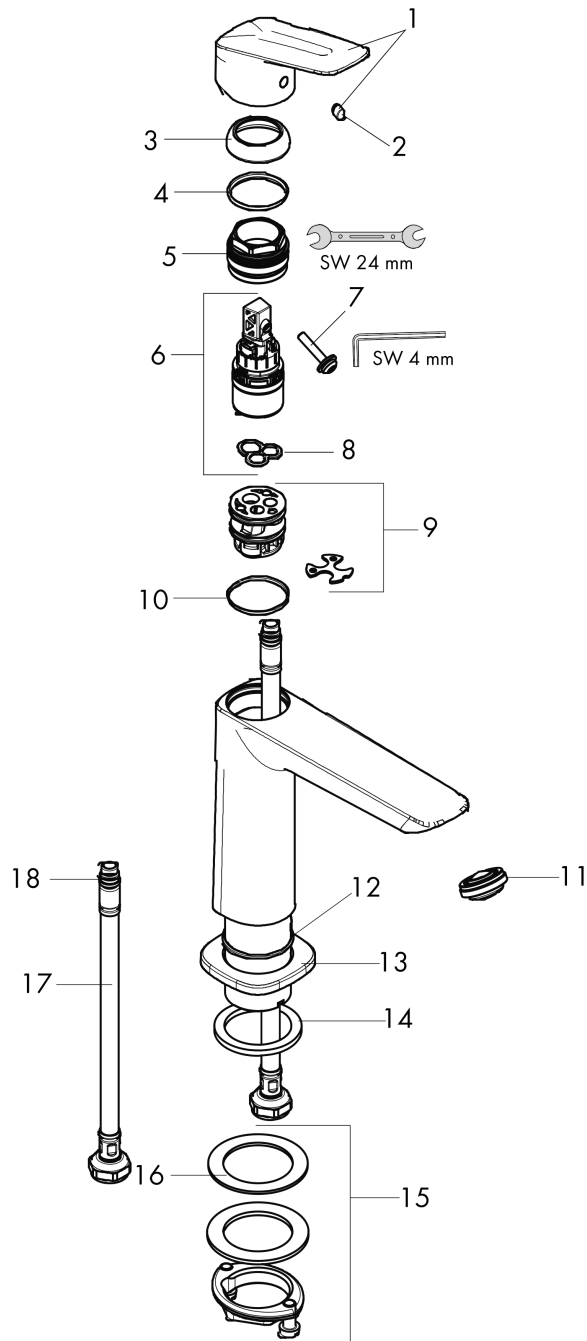
Single-Hole Faucet 110, 1.2 GPM

Finishes : **brushed nickel** Part no. : **71253821**



Exploded drawing

Year of production: >11/21



Logis

Single-Hole Faucet 110, 1.2 GPM

Finishes : **brushed nickel** Part no. : **71253821**



Spare parts list

Year of production: >11/21

Pos.	Description	Part no.	Price	PU
2	screw cover	96338000	-	1
3	flange	98863820	-	1
4	O-ring 24x2	98388000	-	1
5	nut	98864000	-	1
6	cartridge, assy	97685000	-	1
7	locking screw for handle	95140000	-	1
8	seal	98865000	-	1
9	adapter for cartridge	98866000	-	1
10	O-ring 23x2	98398000	-	1
11	aerator M24x1 (4,5 l/min)	94364001	-	1
12	O-ring 30x1,5	98433000	-	1
14	flat seal	98749000	-	1
15	fixing set (Ø 32)	13961000	-	1
16	lever collar	97548000	-	1
17	connection hose 18½" M8x0,75 3/8"	96321001	-	1
18	O-ring 7x1,5	98422000	-	1