

**PRODUCT SPECIFICATIONS**

Elkay Crosstown® Stainless Steel 25-1/2" x 18-1/2" x 9", Single Bowl Undermount Sink. Sink is manufactured from 18 gauge 304 Stainless Steel with a Polished Satin finish, Rear Right drain placement, and Sound Guard.

|                              |                            |
|------------------------------|----------------------------|
| <b>Installation Type:</b>    | Undermount                 |
| <b>Material:</b>             | 304 Stainless Steel        |
| <b>Finish:</b>               | Polished Satin             |
| <b>Gauge:</b>                | 18                         |
| <b>Sound Deadening:</b>      | Sound Guard                |
| <b>Number of Bowls:</b>      | 1                          |
| <b>Sink Dimensions:</b>      | 25-1/2" x 18-1/2" x 9"     |
| <b>Bowl 1 Dimensions:</b>    | 24" x 17" x 9"             |
| <b>Drain Size:</b>           | 3-1/2" (89mm)              |
| <b>Drain Location:</b>       | Rear Right                 |
| <b>Minimum Cabinet Size:</b> | 30"                        |
| <b>Template Included:</b>    | Yes                        |
| <b>Cutout Template #:</b>    | <a href="#">1000001380</a> |

Template is available for download at [elkay.com](#)

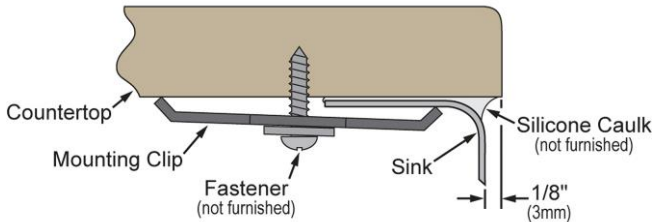


**AMERICAN PRIDE. A LIFETIME TRADITION.**  
Like your family, the Elkay family has values and traditions that endure. For almost a century, Elkay has been a family-owned and operated company, providing thousands of jobs that support our families and communities.

**Product Compliance:** ASME A112.19.3/CSA B45.4

**Installation Profile:**

**1/8" OVERHANG**



Designed to affix to the underside of any solid surface countertop.

**OPTIONAL ACCESSORIES**

|                     |  |
|---------------------|--|
| <b>Bottom Grid:</b> | CTXBG2215  |
| <b>Drain:</b>       | LKDD, LK35   |
| <b>Faucet:</b>      | LK3000CR, LK3001CR, LK5000CR, LK5000LS, LK6000CR, LK6000LS |
| <b>Hardware:</b>    | LKUCLIP8   |
| <b>Sinkmate:</b>    | LKSMHSL  |



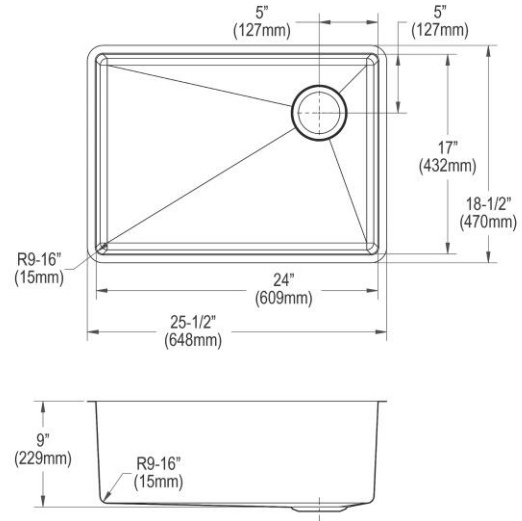
Sinks are listed by IAPMO® as meeting the applicable requirements of the Uniform Plumbing Code®, International Plumbing Code®, and

c National Plumbing Code of Canada.

[Clean and Care Manual \(PDF\)](#)

[Installation Instructions \(PDF\)](#)

[Limited Lifetime Warranty \(PDF\)](#)



PART: \_\_\_\_\_ QTY: \_\_\_\_\_

PROJECT: \_\_\_\_\_

CONTACT: \_\_\_\_\_

DATE: \_\_\_\_\_

NOTES: \_\_\_\_\_

APPROVAL: \_\_\_\_\_

In keeping with our policy of continuing product improvement, Elkay reserves the right to change product specifications without notice. Please visit [elkay.com](#) for the most current version of Elkay product specification sheets. This specification describes an Elkay product with design, quality, and functional benefits to the user. When making a comparison of other producers' offerings, be certain these features are not overlooked.