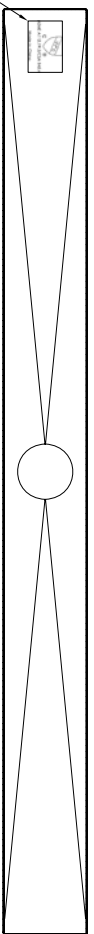
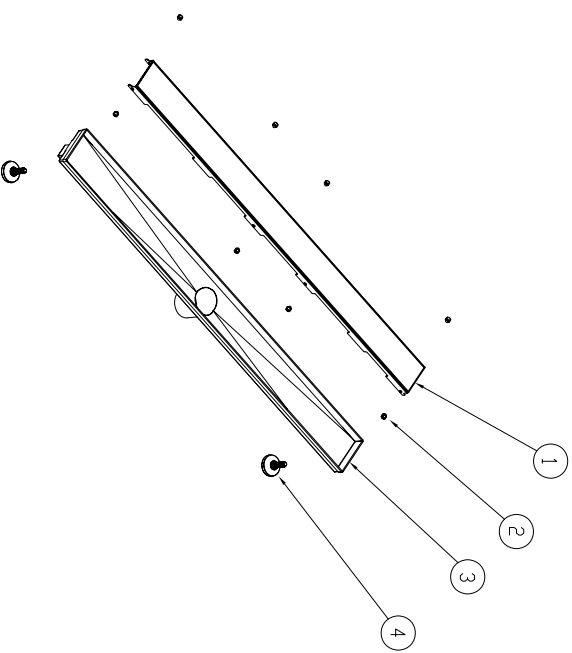
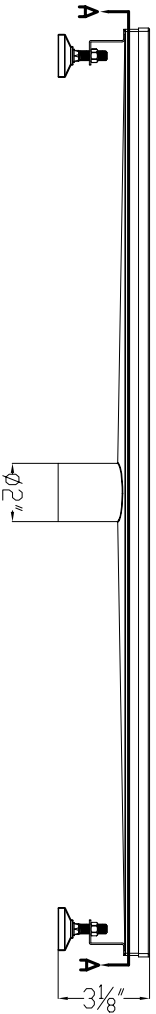
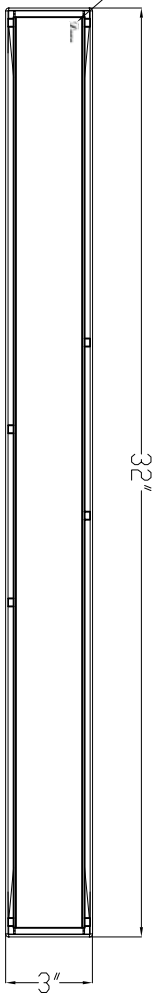
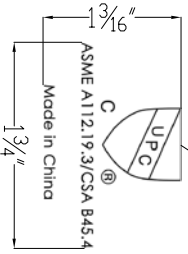


Dawn 3/4" 1/4"



SECTION A-A



Volga Riuer serie

NO	DESCRIPTION	QTY	MATERIAL	SIZE
1	Linear drain cover	1	SUS304	31 3/4" x 2 3/4" x 3 1/4" (18G)
2	plastic connectors	8	PP	Ø 3 5/8" x 9 1/8"
3	Linear drain stand	1	SUS304	32" x 3" x 3 3/8" (18G)
4	mounting brackets	2	composite material	Ø 1 7/8" x 1 1/8"

Kaiping Dawn Plumbing Products, Inc

Type:	Linear drain	Material:	SUS304
Model:	LVA320304	Feature:	1 8/8 Chrome-Nickel
Size/Overall:			Polished, Stain Finish
Scale:			
Design:	Ming		
Drawn:	Pu		
Date:	2014-03-27	Logo:	<i>Dawn</i> _ laser-etching
Manufacture Date:		Approved:	