

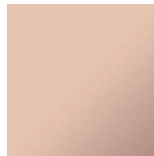
Bathtub - MEM

Tub spout with diverter for deck-mounted installation - Cyprum

Article number: 13 512 782-49



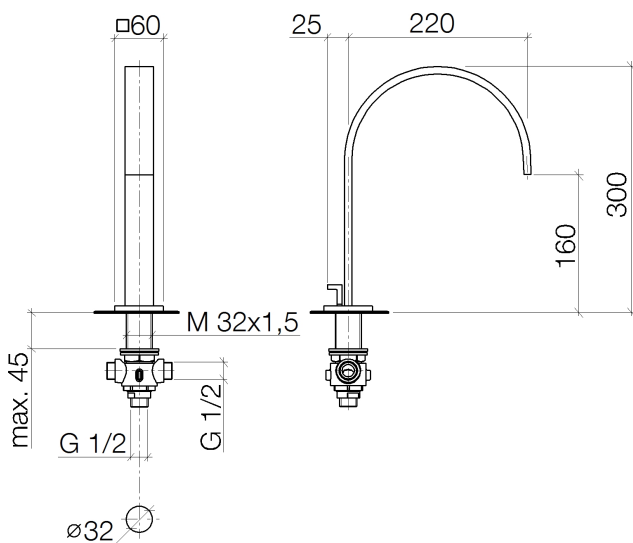
- 8-5/8" Projection
- Rectangular aerator
- Integrated diverter
- Total height 11-3/4"
- Height to aerator/spout outlet 6-1/4"
- 1-1/4" hole diameter
- Flange 2-3/8" x 2-3/8"
- 1/2" connection
- Water flow rate limited to max. 8.2 gpm
- Internal backflow preventer.
- Diverter cannot be deactivated



Cyprum

Discontinued items available through 30.09.2020

Dimensional drawing



All dimensions in mm / inch = mm x 0,0394

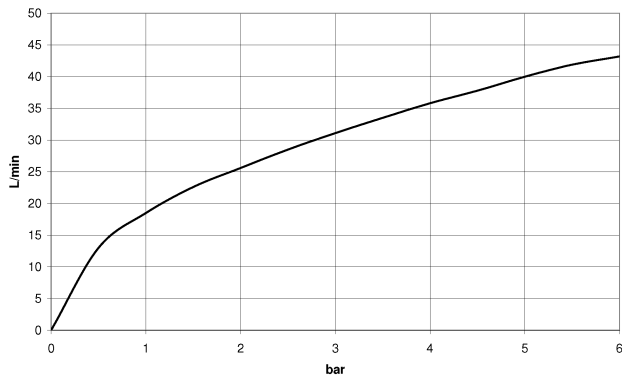


Bathtub - MEM

Tub spout with diverter for deck-mounted installation - Cyprum

Article number: 13 512 782-49

Flow rate chart





Bathtub - MEM

Tub spout with diverter for deck-mounted installation - Cyprum

Article number: 13 512 782-49

Other surface finishes



polished chrome
13 512 782-00



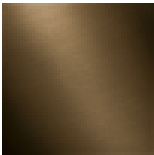
platinum matte
13 512 782-06



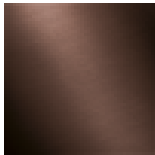
platinum
13 512 782-08



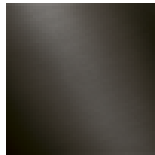
13 512 782-09



Dark Brass matte
13 512 782-16



Dark Bronze matte
13 512 782-17



Dark Platinum matte
13 512 782-99

More custom finish options are available via special production (xTra Service). Please see our finish matrix for availability and pricing or contact a Dornbracht representative.