



Sink - MEM

Lavatory spout, deck-mounted without drain - polished chrome

Article number: 13 716 782-00 0010

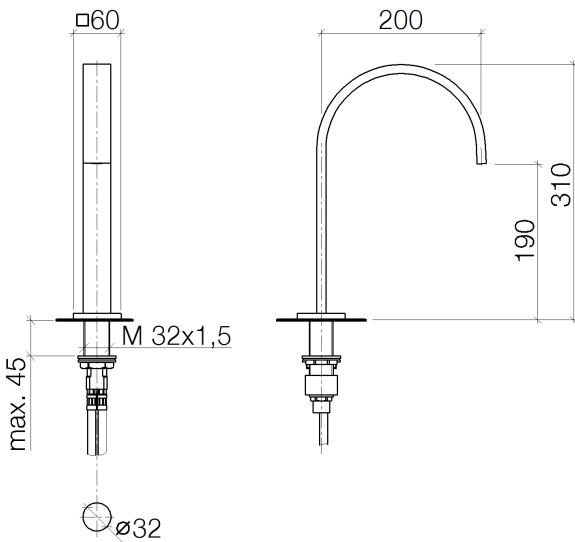


- 7-7/8" Projection
- Rigid spout
- Rectangular aerated stream
- Total height 12-1/4"
- Height to aerator/spout outlet 7-1/2"
- 1-3/8" hole diameter
- Flange 2-3/8" x 2-3/8"
- 1/2" connection
- Water flow rate limited to max. 1.2 gpm
- lead-free



polished chrome

Dimensional drawing



All dimensions in mm / inch = mm x 0,0394

Model/program/technical modifications and error excepted
For more information see: www.dornbracht.com + 49 (0) 2371 433-460 mail@dornbrachtgroup.de

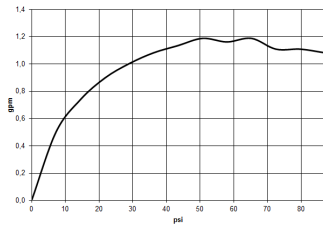


Sink - MEM

Lavatory spout, deck-mounted without drain - polished chrome

Article number: 13 716 782-00 0010

Flow rate chart





Sink - MEM

Lavatory spout, deck-mounted without drain - polished chrome

Article number: 13 716 782-00 0010

Other surface finishes



platinum matte

13 716 782-06 0010



platinum

13 716 782-08 0010



Brushed Durabronz

13 716 782-28 0010

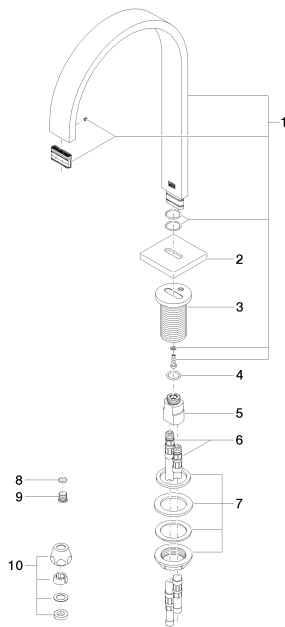


Dark Platinum matte

13 716 782-99 0010

More custom finish options are available via special production (xTra Service). Please see our finish matrix for availability and pricing or contact a Dornbracht representative.

Spare parts list



Number	Item Number	Designation	Number of units
1	90 28 22 155 02-00	spout	1
2	09 27 78 034-00	rosette	1
3	09 11 10 054 10 90	connection	1
4	09 14 10 130 90	seal	1
5	09 11 10 055 10 90	connection	1
6	04 30 04 016 00 90	hose	2
7	04 23 10 009 01 90	fixing set	1
8	09 14 10 060 90	seal	1
9	09 31 20 065 90	plug	1
10	04 23 30 040 00-00	threaded connector	2