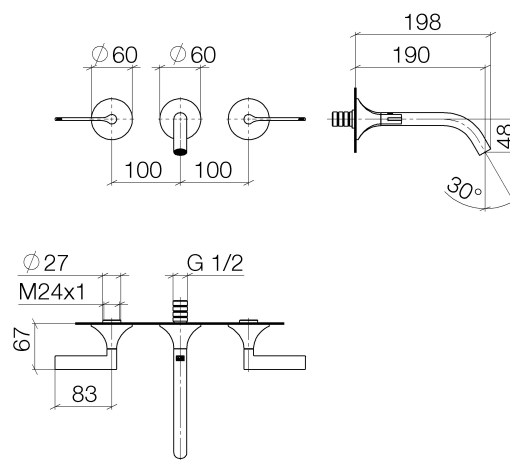




**Product specifications**

- **190 mm projection**
- fixed spout
- circular, air-enriched flow
- hole diameter valve 37 mm
- hole diameter spout 37 mm
- rosettes Ø 60 mm
- max. flow 5.7 l/min
- lead-free



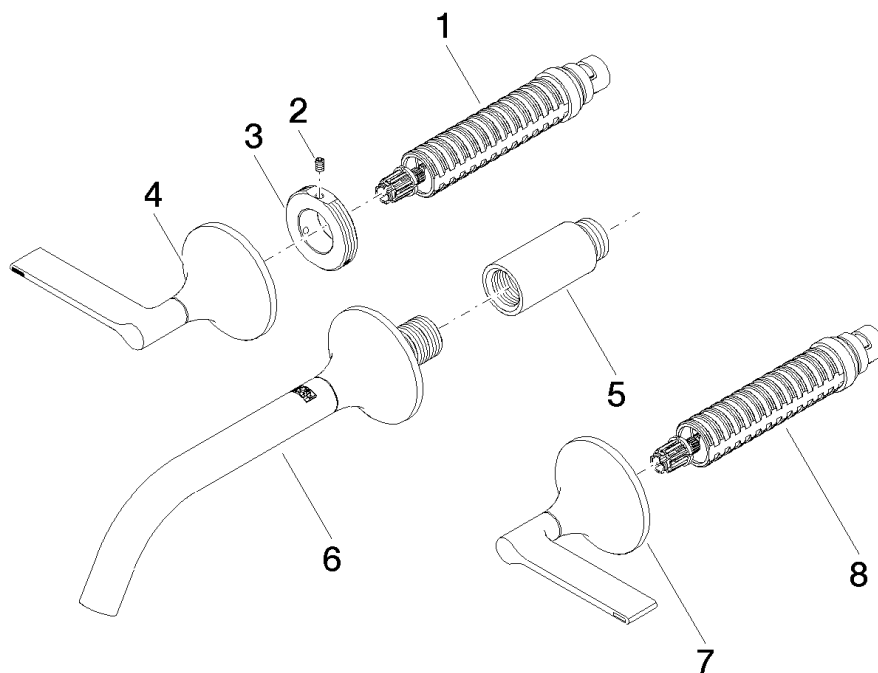
**Surfaces**

- chrome 36712819-00
- platinum matt 36712819-06
- 36712819-99

**Accessories required**

- Concealed wall-mounted mixer Centred spout; 35 707 970
- Concealed wall-mounted mixer variable positioning; 35 712 970

**Exploded assembly drawing**



**Order quantity**

<b>No.</b>	<b>Article number</b>	<b>Name</b>	<b>Installation quantity</b>
1	9090031570090	top	1
2	09311100890	pin	2
3	09210216390	disc	2
4	90208001300ff	handle ( hot )	1
5	0924030811090	extension	1
6	13800809ff	spout	1
7	90208001200ff	handle ( cold )	1
8	9090031560090	top	1

**Flow rate chart**

