

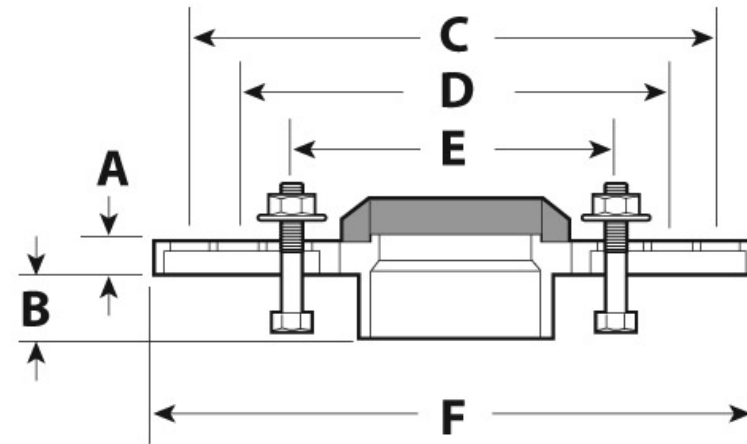


Submittal Sheet

Part Description:  
 2" PVC DWV Urinal Flange Kit with an  
 Adjustable 4" to 7" Center X 2" Hub

Part Number:  
 213663

Approvals and Listings maintained by:  
 Canplas Industries Ltd  
 Canada: 1-800-461-5300 USA: 1-888-461-5307



Part #	Part UPC	Colour	Size (inches)	Ctn Qty	Ctn Bar Code	Ctn. Wt (Kgs)	Ctn. Wt (lbs)	Skid Cubic (m)	Skid Cubic (ft)	Ctns/Skid
213663	662671213808	GREY	2	20	10662671213805	3.65	8.03	1.79	63.37	72

Dimensions (inches)

A	B	C	D	E	F
0.40	7.05	7.05	5.57	4.01	8.12