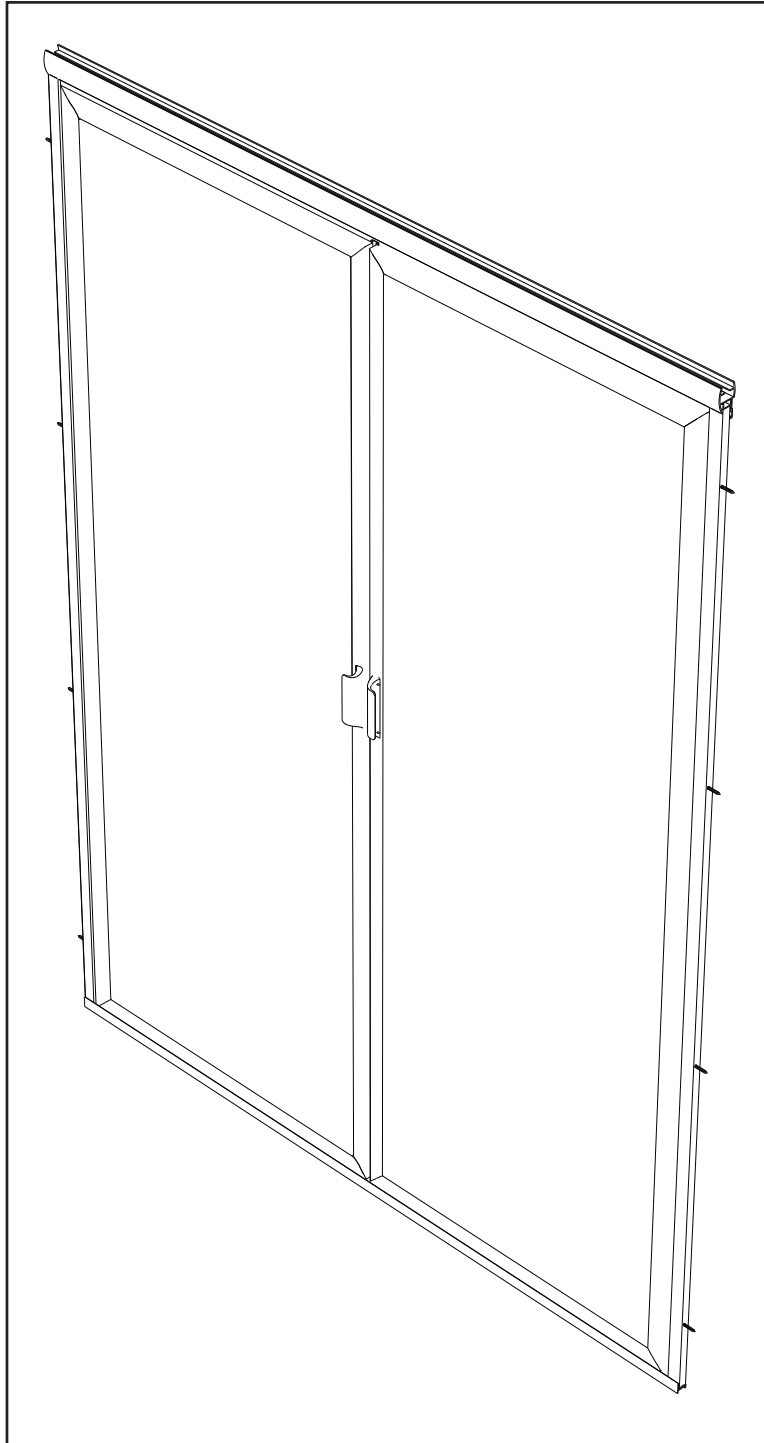
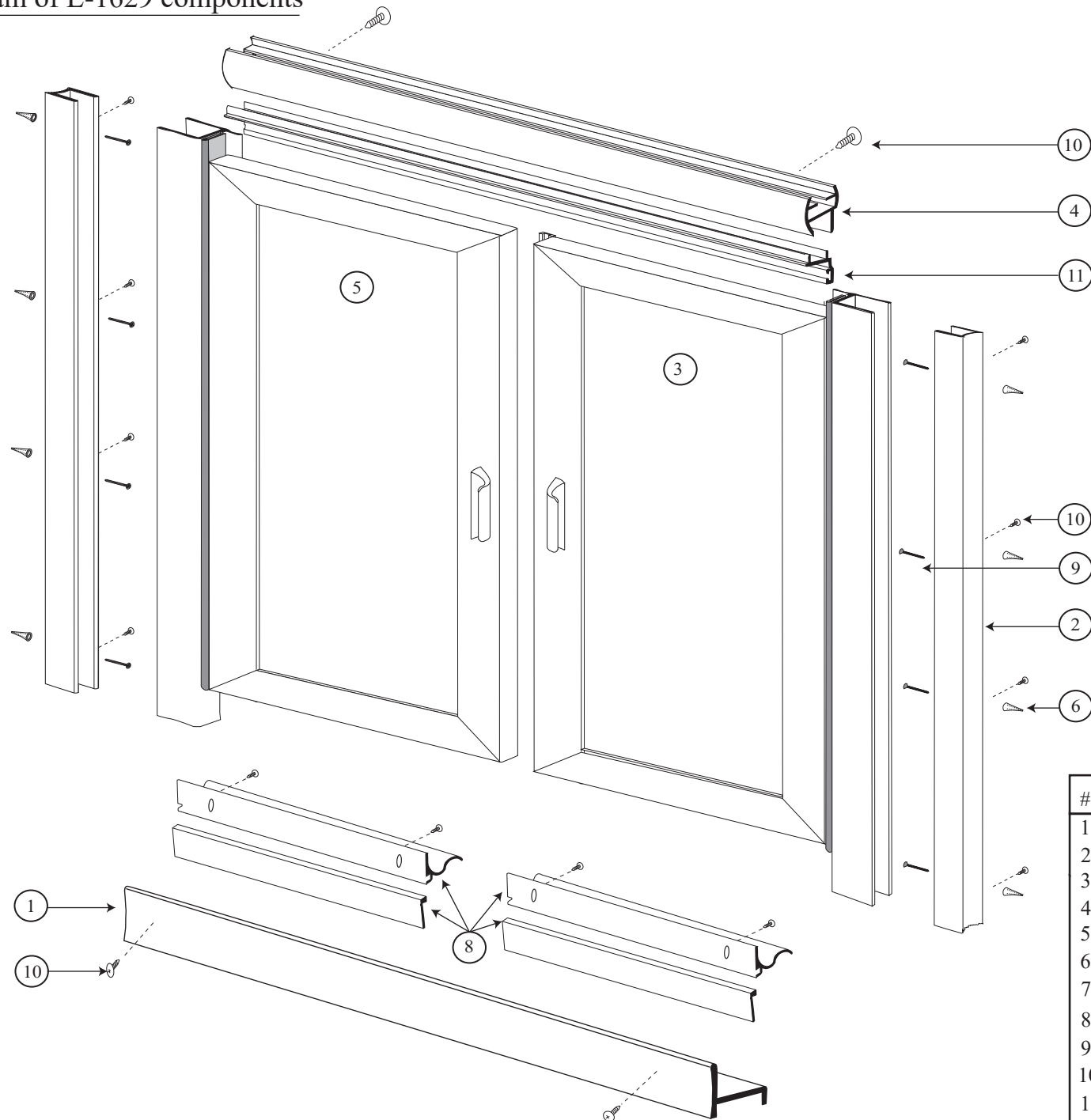


L-1629

# Lucette Hinged Framed Door Installation Guide



Detailed diagram of L-1629 components

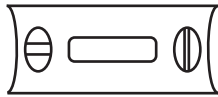


#	Part Name	Qty
1	Threshold	1
2	Wall channel upright	2
3	Striker glass door	1
4	Header	1
5	Active glass door	1
6	Plastic wall mount anchors	8
7	Door handle assembly	2
8	Drip pan and vinyl	2
9	1-1/4" wall mount flat head screws	8
10	3/8" panhead screws	16
11	Magnetic header cap	1

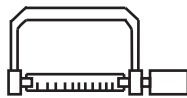
**Tools required**



Tape Measure



Level



Hacksaw



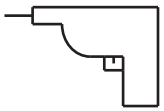
Safety glasses



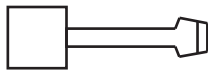
Drill bits (2) (#32 metal bit,  
3/16" carbide masonry bit)



Masking tape



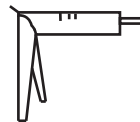
Drill



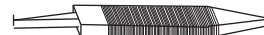
Flat head and  
Phillips head  
Screwdriver



Pencil/Marker



Caulking gun



Metalwork file

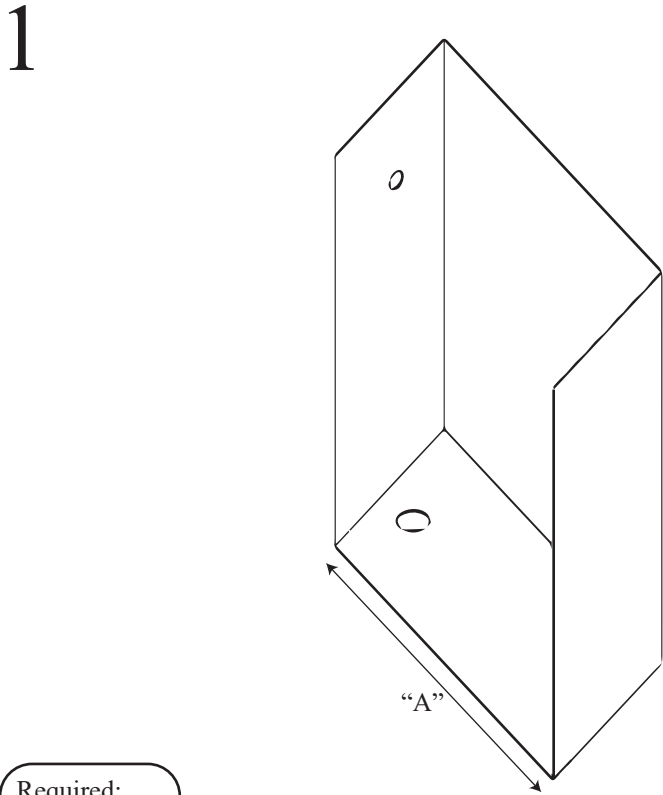


Scissors



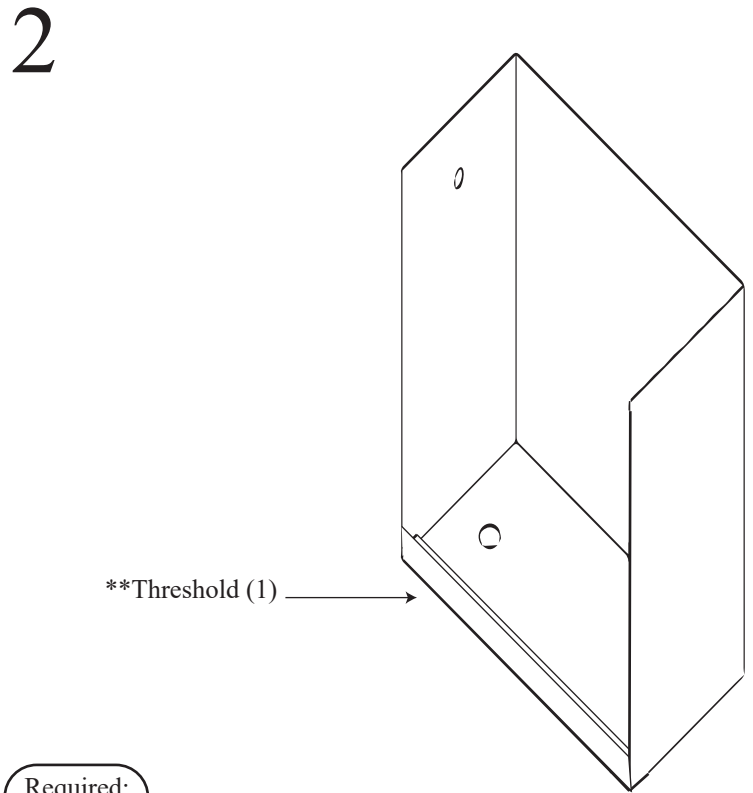
**WARNINGS**

- \*\*Before starting, please read instructions carefully and thoroughly; then proceed step by step.
- \*\*Please wear safety glasses and safety gloves whenever drilling or cutting tile or handling metal/glass parts.
- \*\*When drilling through tile, carefully break through glazed surface only with sharp tool and then drill slowly.
- \*\*Wall uprights must be installed level and plumb. Do not follow grout lines.
- \*\*To insure complete customer satisfaction Century Bathworks recommends installation by a professional.
- \*\*Risk of injury or product damage. Two people should perform this installation.
- \*\*Do not cut the top and bottom track the same length for this installation.
- \*\*Please carefully unpack all parts for your unit as listed on previous page and also check that you have all the tools as listed above.
- \*\*If any parts are missing or damaged, please contact Century Bathworks or your dealer for replacements.



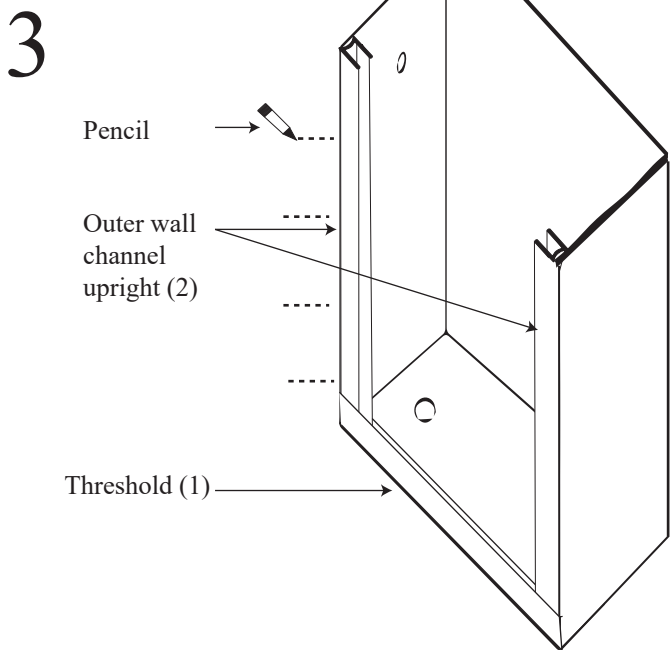
Required:  
Tape measure

- Measure "A" and note distance between the walls at the base.



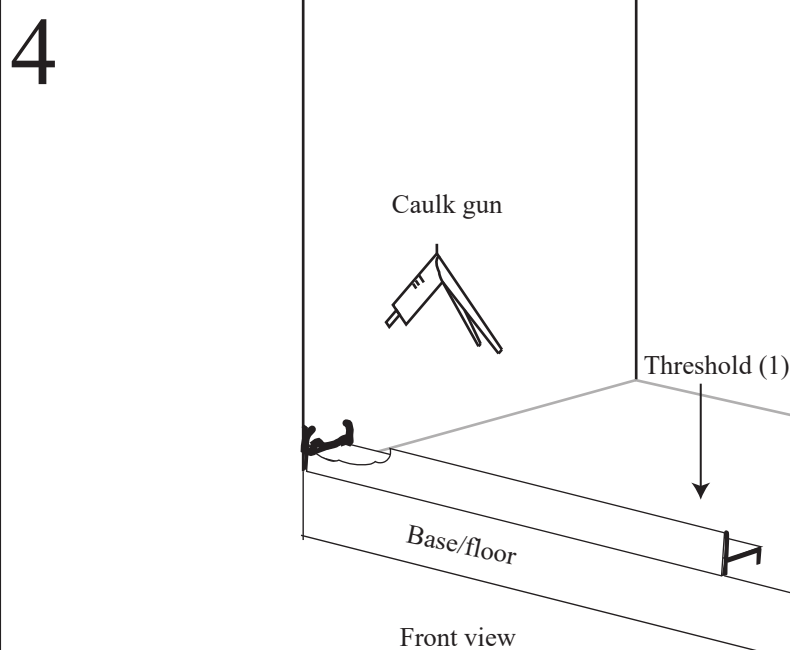
Required:  
Hacksaw

- Consider the length "A" and cut the threshold accordingly.
- Place the threshold on the base as shown.
- \*\* Flat long side of threshold must face to the outside of shower.



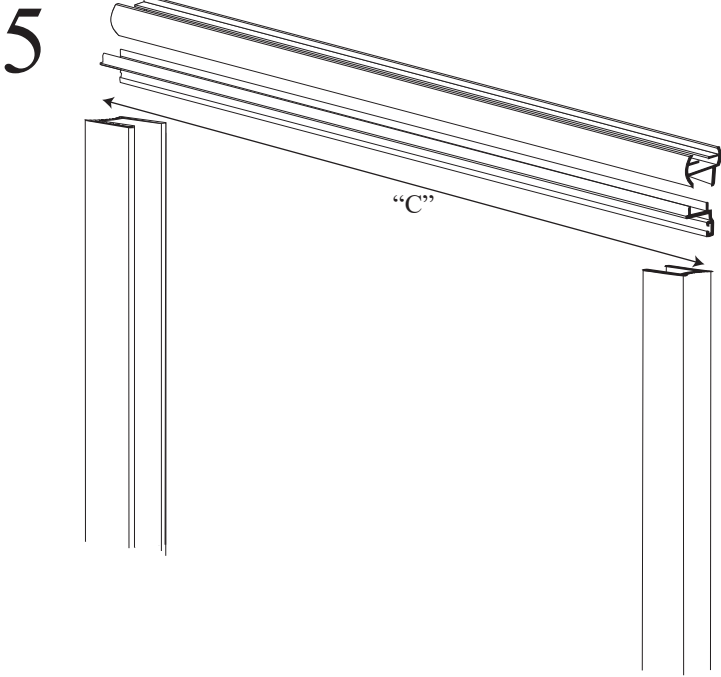
Required:  
Pencil/marker, masking tape, 3/16" carbide masonry bit, drill, level

- Place the wall channel uprights on the threshold against wall.
- Hold in place with masking tape. Make sure it is level and plumb.
- Mark the holes on the wall using a pencil or marker.
- Remove the wall channel uprights and threshold.
- Drill holes with 3/16" carbide-tipped masonry bit.
- Insert plastic wall anchors. Remove all the wall debris.



Required:  
Caulking gun, drill/screwdriver

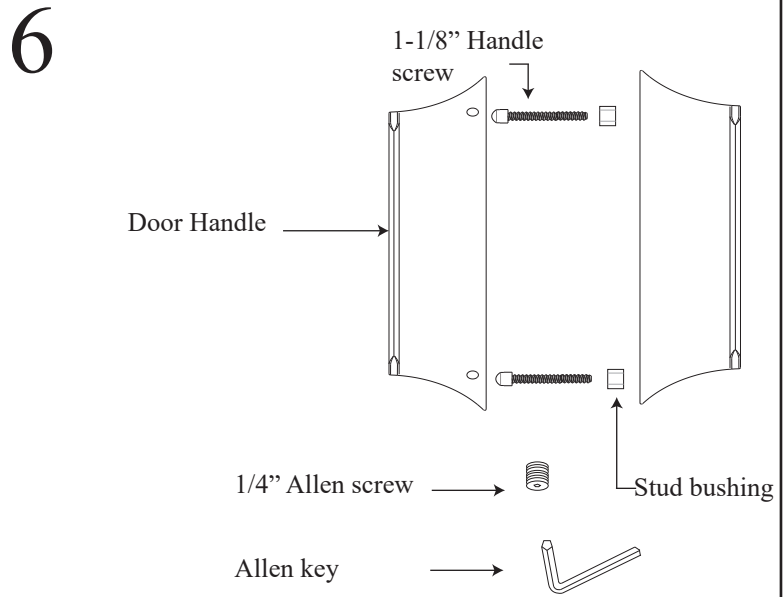
- Again, place the threshold on the base and caulk inside of threshold from the top at each wall and at all the joints.
- After the caulking is done, screw outer wall channel uprights to wall through predrilled holes with 1-1/4" flathead screws.



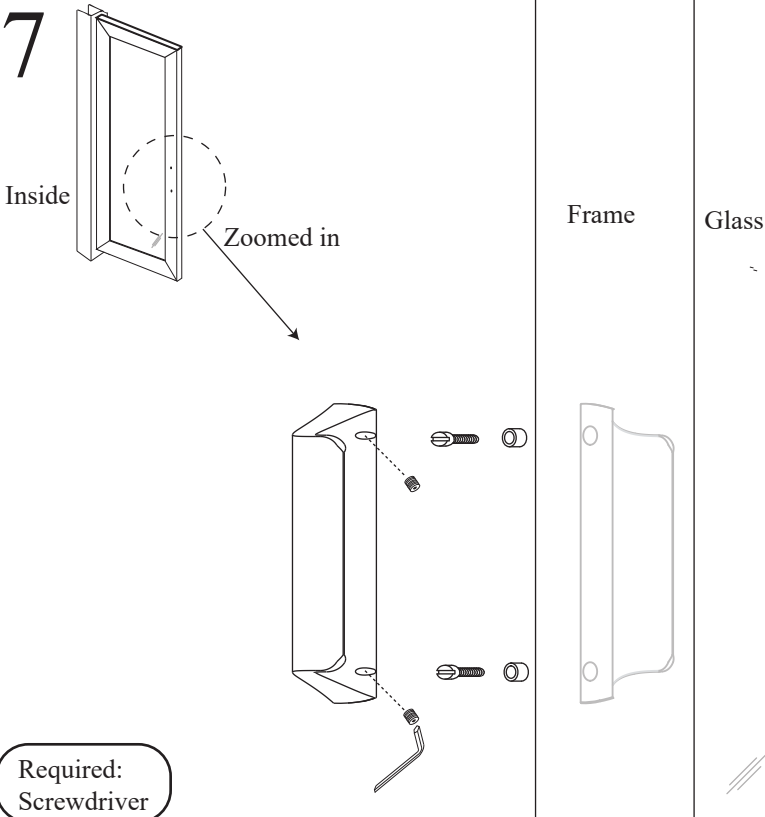
**Required:**

Tape measure, hacksaw, drill, pencil/marker

- Place header and magnetic header cap on top of the unit as shown.
- Measure the length "C" between the wall and cut the header and magnetic header cap to fit. Mark and drill holes through header and wall channel upright.
- Do not screw until step 10.

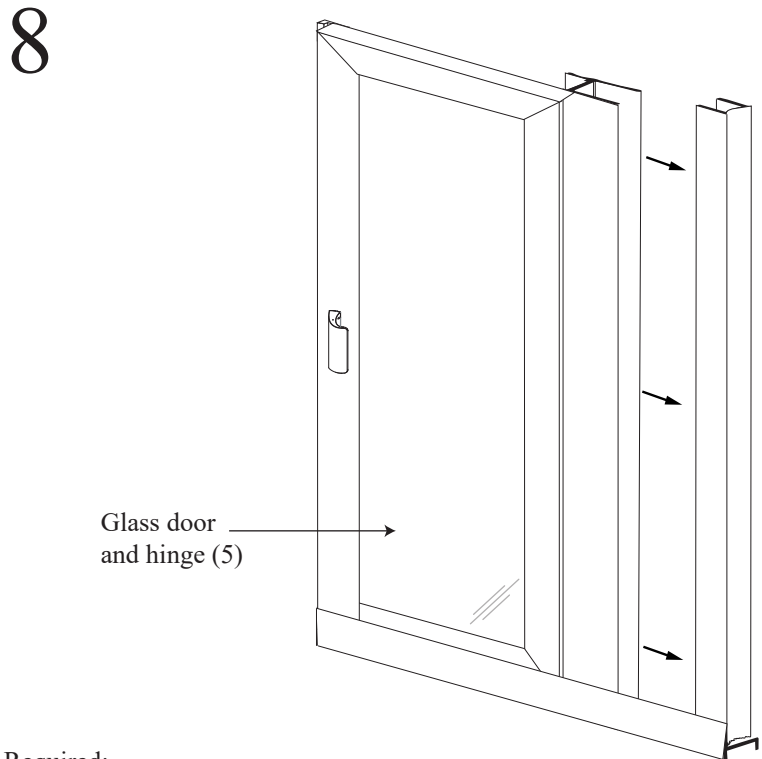


- Unpack the door handle assembly.
- It contains: Door handle- 2 pcs  
1 1/8" Handle screw- 2 pcs  
Stud bushing- 2 pcs  
1/4" allen screw- 2 pcs & Allen key- 1 pc



**Required:**  
Screwdriver

- Insert screw through frame via pre-drilled holes making sure screw head and stud bushing are on inside of door.
- Screw handle with 1-1/8" flathead screws to secure on handle to place.
- Use 1/16 allen wrench to secure 1/4" allen screws into the other handle.

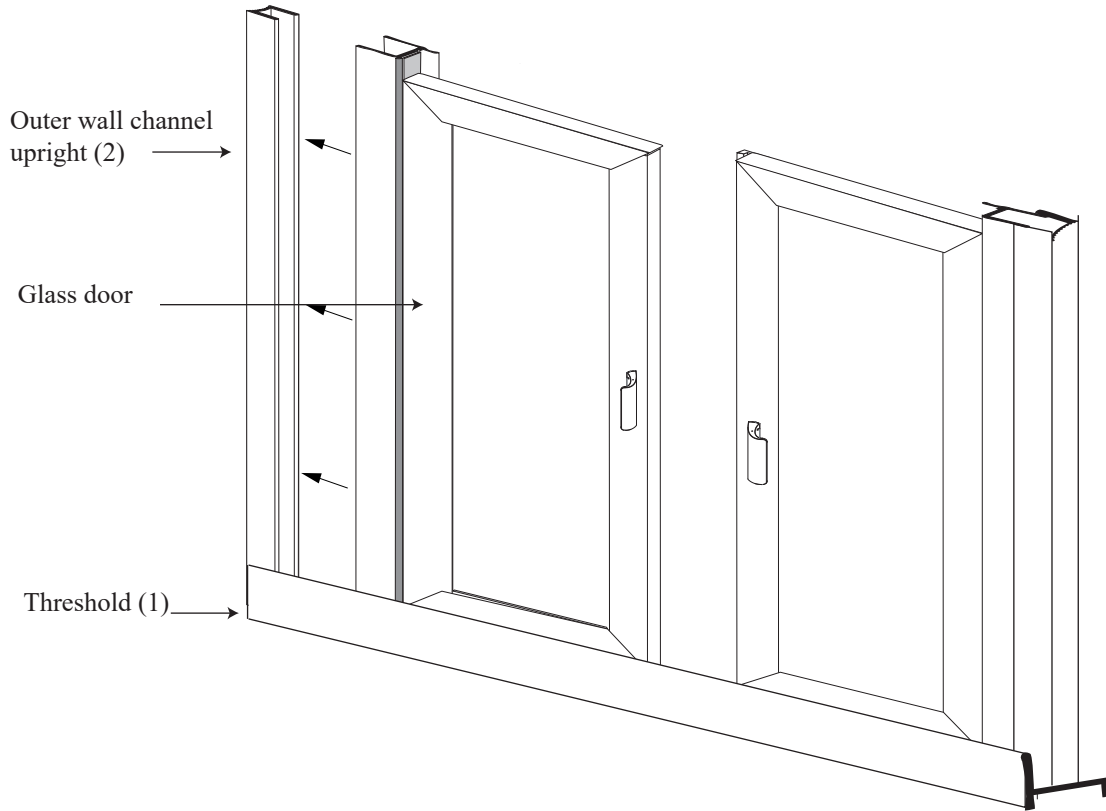


**Required:**

Masking tape, drill, pencil/marker

- Place glass door and hinge piece into outer wall channel upright (based on desired door swing direction) and hold into place with masking tape.
- Mark and drill holes in hinge assembly to line up with pre-drilled holes on outer wall channel upright with #32 metal drill bit.

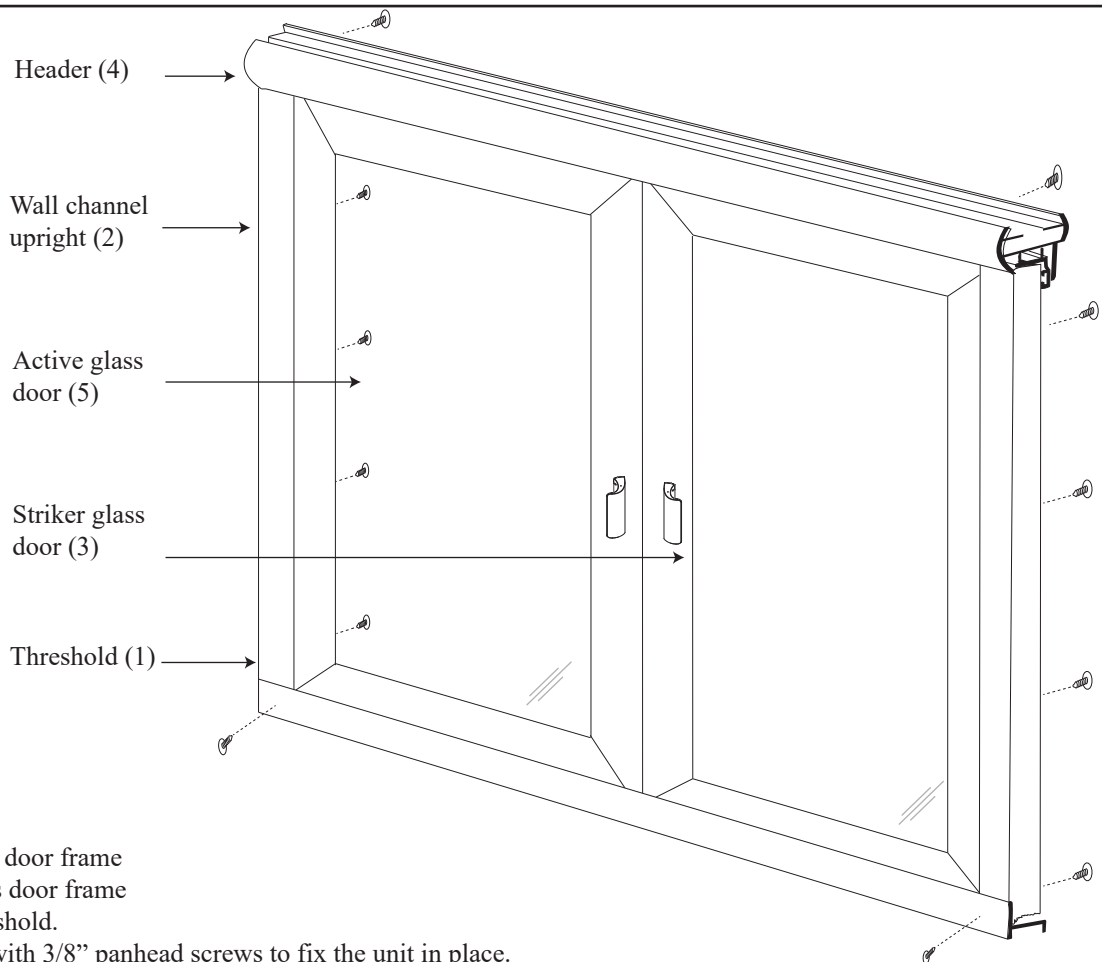
9



Required:  
Masking tape

- Slide the other glass door into the outer wall channel upright and hold in place with masking tape.

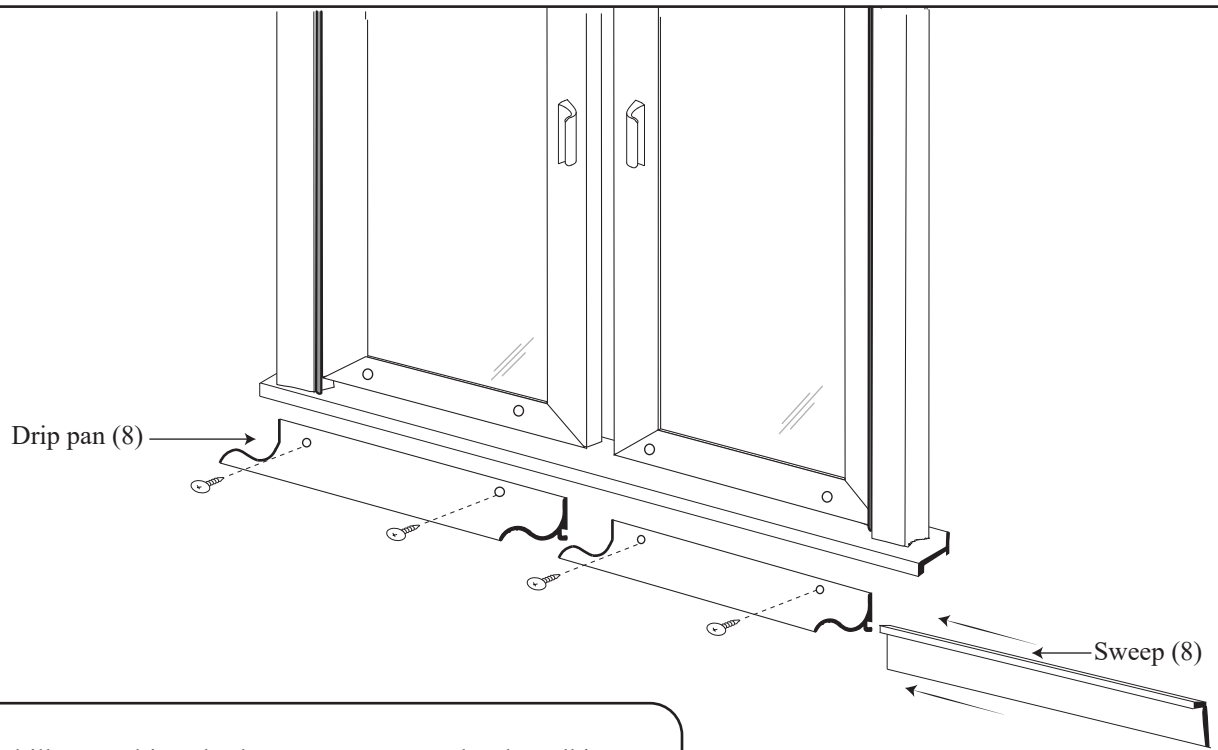
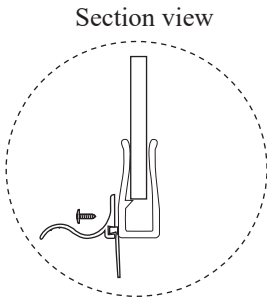
10



Required:  
Screwdriver, drill, pencil/marker

- Mark and drill holes on --  
 wall channel upright + active glass door frame  
 wall channel upright + striker glass door frame  
 wall channel upright + header/threshold.
- Fasten the uprights and header/threshold with 3/8" panhead screws to fix the unit in place.

11

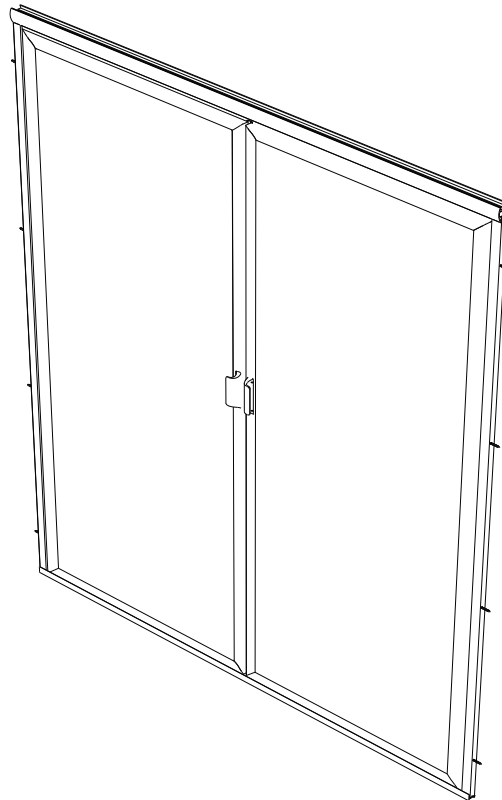


**Required:**

Pencil/ marker, metalwork file, drill, screwdriver, hacksaw, tape measure, level, caulking gun

- Drip pans are supplied for either door swing. Measure from inside of the stall, distance between the door hinge piece and door frame.
- Trim the extra length of the drip pans that would be on the striker side of door. File the cut, smooth and round the edge.
- Adjust position as needed to provide a slight horizontal tilt to the drip pan (with low side toward the hinge side of the door) so that the water runs back into shower.
- Align bottom edge of the drip pans with the bottom edge of the door. Mark and drill holes on bottom door frame to mount drip pans. (Be sure to avoid drilling into glass.) Slide drip pan vinyl sweeps into drip pans as shown. Use screws to fix drip pan to door. Apply silicone to fix sweep.

12



**Required:**

Caulking gun

- On completion of assembly and installation, caulk entire inside of the unit where it meets the wall and the base and the outside of threshold where it meets the walls and base to prevent water leakage.
- Wait for 24 hours before using, for silicone to dry.