



California Faucets®

Morro Bay™

STYLETHERM TRIM ONLY W/ DUAL VOLUME CONTROL

Features

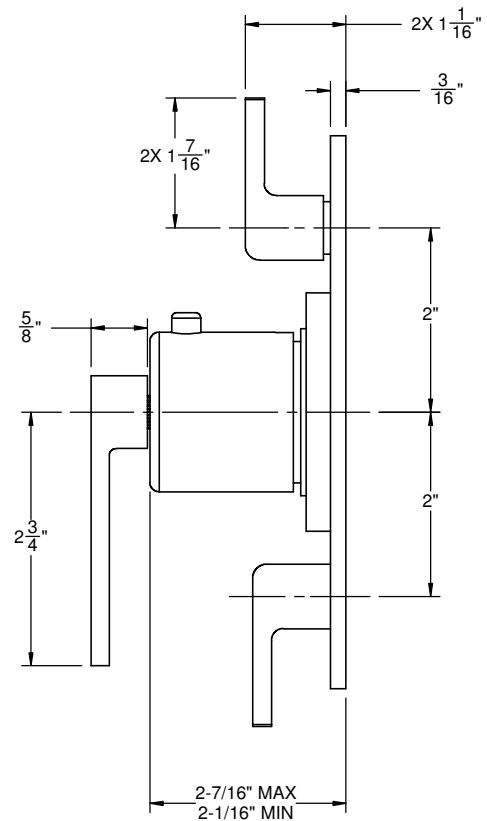
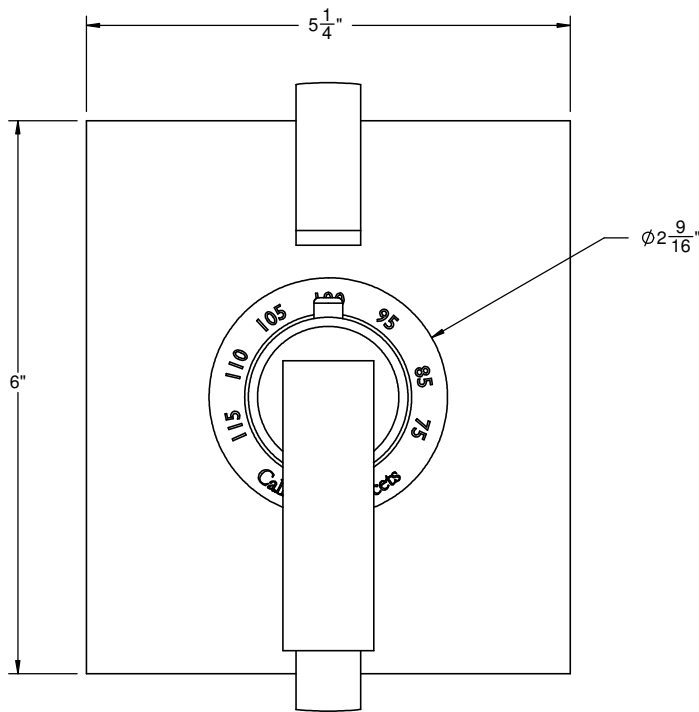
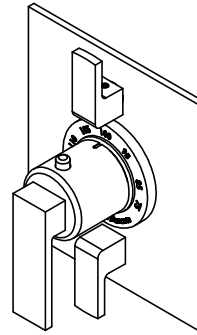
- All brass construction
- 100° F safety stop button with manual override
- Dual integral volume control
- 6" by 5-1/4" rectangular faceplate; flat profile
- Less head, arm, flange and spout
- Engraved brass temperature ring
- Over 30 finishes including 15 PVD finishes

Codes/Standards Applicable

Product meets or exceeds the following:

- ASME A112.18.1/CSA B125.1
- ASSE 1016
- ADA compliant

TO-THF2L-77



ALL DIMENSIONS SHOWN TO NEAREST 1/16"