



California Faucets®

# Tiburon

WALL OR DECK HANDLE TRIM ONLY

TO-65-W

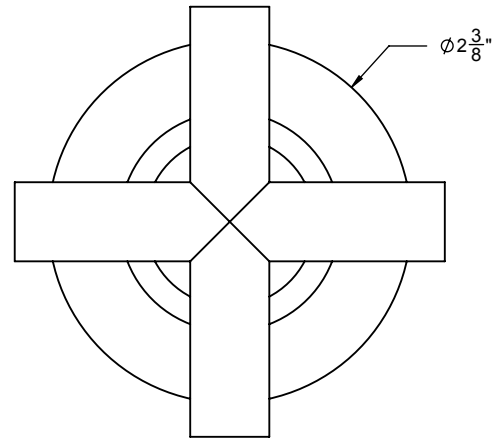
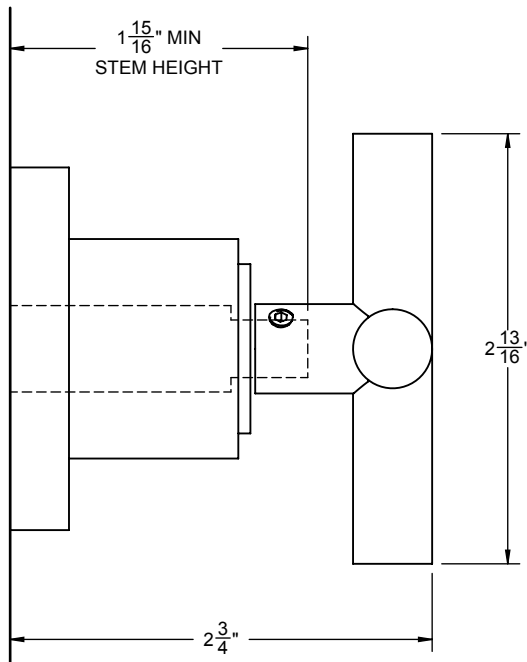
### Features

- Base diameter 2-3/8"
- Use for wall stop, wall diverter or deck diverter
- Rough valve (50W-R, 75-W-R, WDV-R, DDV-R) sold separately
- All brass construction
- Over 30 finishes including 13 PVD finishes



### Codes/Standards Applicable

- Product meets or exceeds the following:
- ASME A112.18.1/CSA B125.1



#### THROUGH-HOLE SPECIFICATIONS

MIN	RECOMMENDED	MAX
$\phi 1"$	$\phi 1\text{-}3/8"$	$\phi 1\text{-}1/2"$