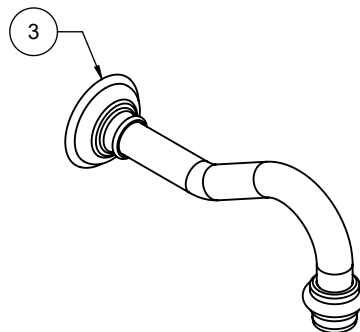
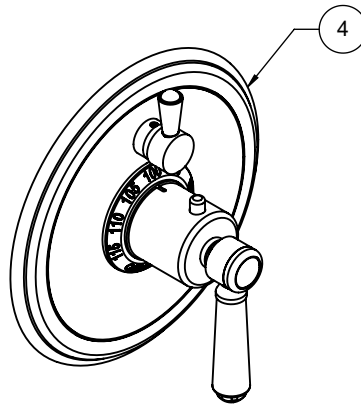
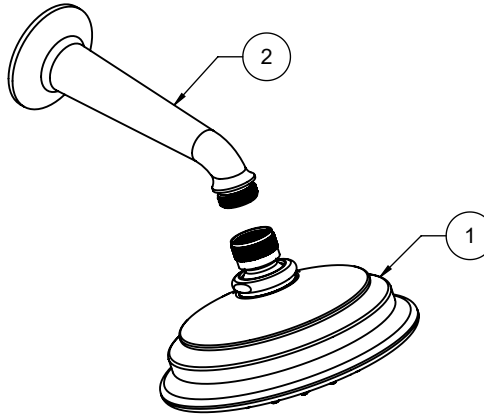




"ZZ" denotes finish, "FR" denotes flow rate

Item	Model	Description	Links
1	SH-073.FR-ZZ	5-5/8" Multi-Function Showerhead	Specification Sheet
2	SH-01.6-ZZ	One Piece 6" Shower Arm & Flange	Specification Sheet
3	TS-67-ZZ	Wall Tub Spout	Specification Sheet
4	TO-TH1L-33-ZZ	StyleTherm® Trim Only with Single Volume Control	Specification Sheet





California Faucets®

SHOWERHEAD

5-5/8" MULTI-FUNCTION TRADITIONAL

Features

- 1/2" FIP inlet
- 3 function: rain, air & massage
- Self-cleaning rubber jets
- Solid brass pivot ball & body
- 5-5/8" diameter, gray face
- Available in 28 finishes including 13 PVD finishes
- Replace .FR with desired max flow rate:
SH-073.25 for 2.5 gpm
SH-073.20 for 2.0 gpm
SH-073.18 for 1.8 gpm

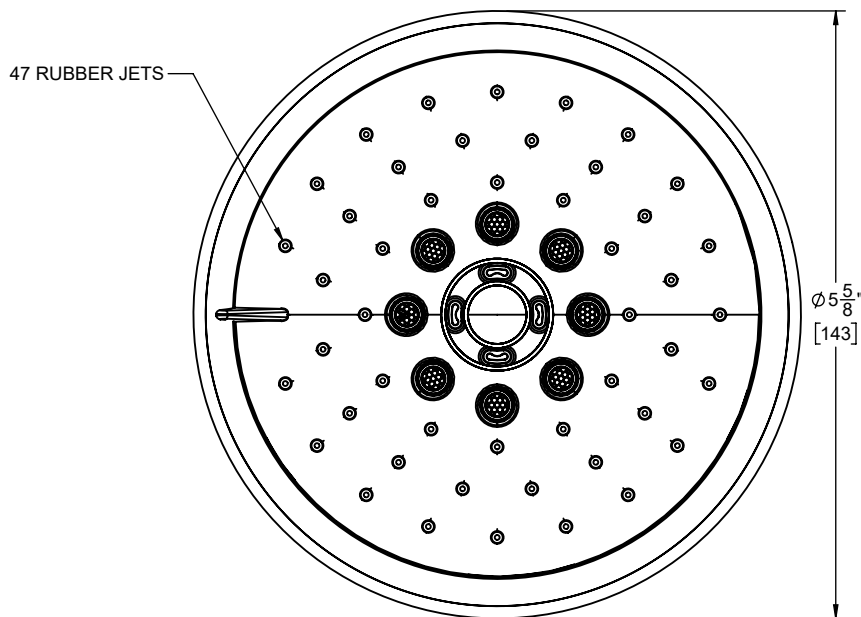
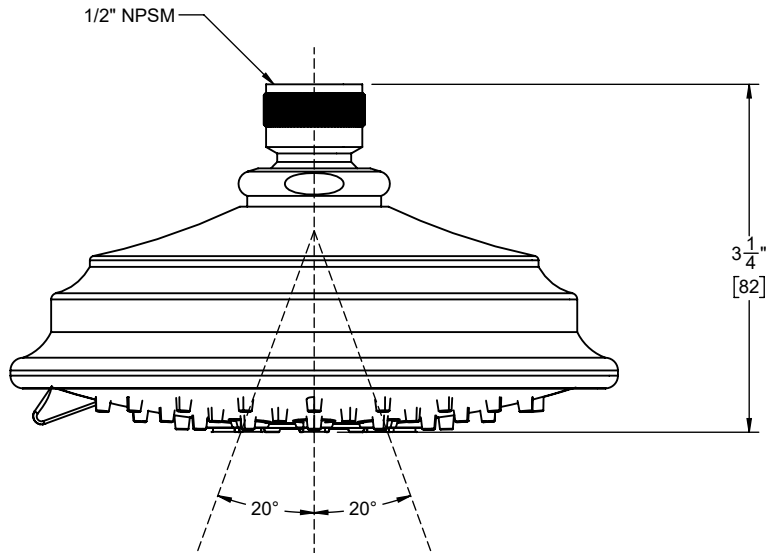
SH-073.25
SH-073.20
SH-073.18



Codes/Standards

Product meets or exceeds the following:

- ASME A112.18.1/CSA B125.1
- CEC (1.8 gpm)
- DOE (2.5, 2.0, & 1.8 gpm)
- Commonwealth of MA
- EPA WaterSense Showerhead (2.0 gpm)



SPECIFICATION SUBJECT TO CHANGE WITHOUT NOTICE

DIMENSIONS SHOWN TO NEAREST 1/16"
[DIMENSIONS SHOWN TO NEAREST 1MM]



California Faucets®

Shower Arm

One Piece 6" Shower Arm & Flange

Features

- Available in 28 finishes including 13 PVD finishes
- All brass construction

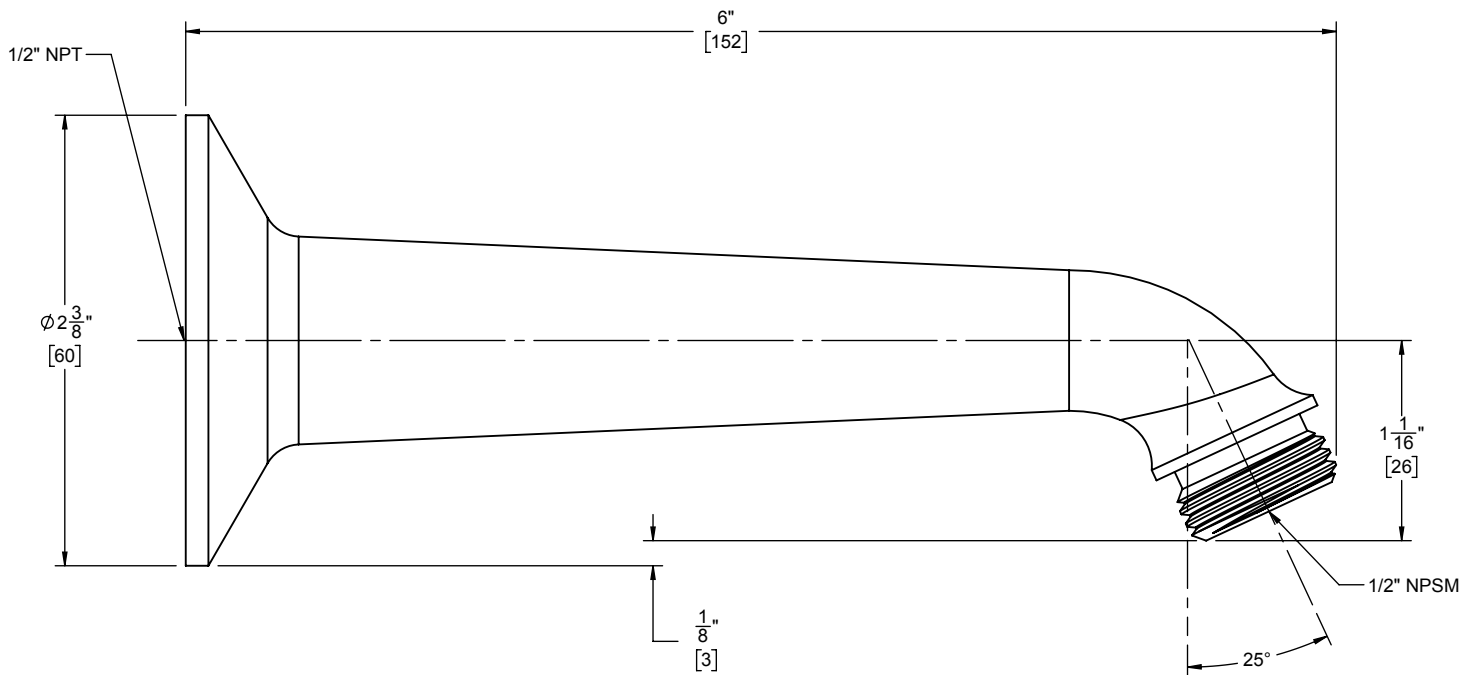
SH-01.6



Codes/Standards

Product meets or exceeds the following:

- ASME A112.18.1/CSA B125.1





Features

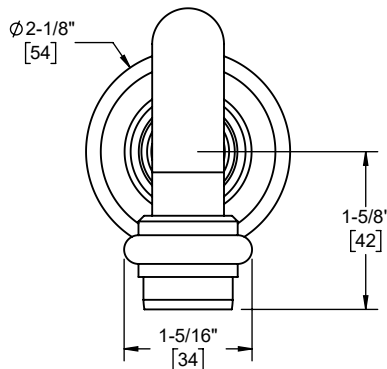
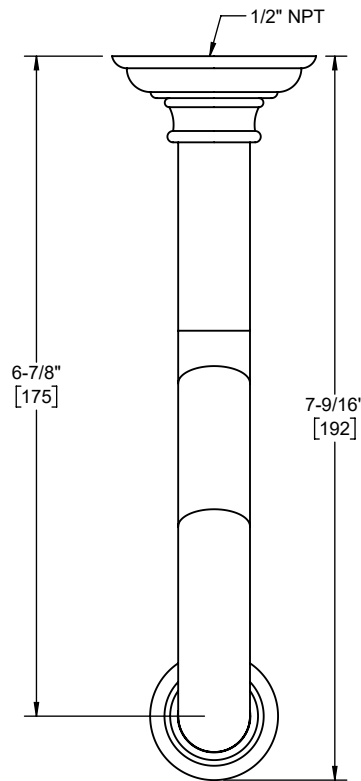
- Available in 28 finishes including 13 PVD finishes
- All brass construction
- 16gpm (60.6 L/min) max flow rate at 60 psi
- For use with StyleTherm, 3-VR, or 2-VR valves



Codes/Standards Applicable

Product meets or exceeds the following:

- ASME A112.18.1/CSA B125.1



Through-Hole Specifications		
Min	Recommended	Max
Ø 1" [25]	Ø 1-1/4" [32]	Ø 1-9/16" [40]

Dimensions are inches, rounded to 1/16"
[Dimensions in brackets are mm, rounded to 1mm]



California Faucets®

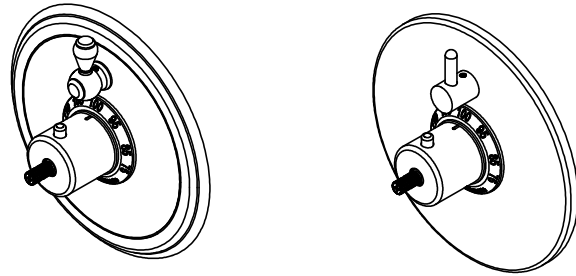
StyleTherm®

1/2" Thermostatic Valve w/ Single Volume Control Trim Only

Features

- Over 30 finishes including 12 PVD finishes
 - All brass construction
 - Contemporary or traditional faceplate
 - Engraved brass temperature ring
 - 100°F safety stop button with manual override
 - Contemporary or traditional volume control handle
 - Handles to match all California Faucets series
- See www.calfaucets.com for complete selection

TO-TH1L-XX



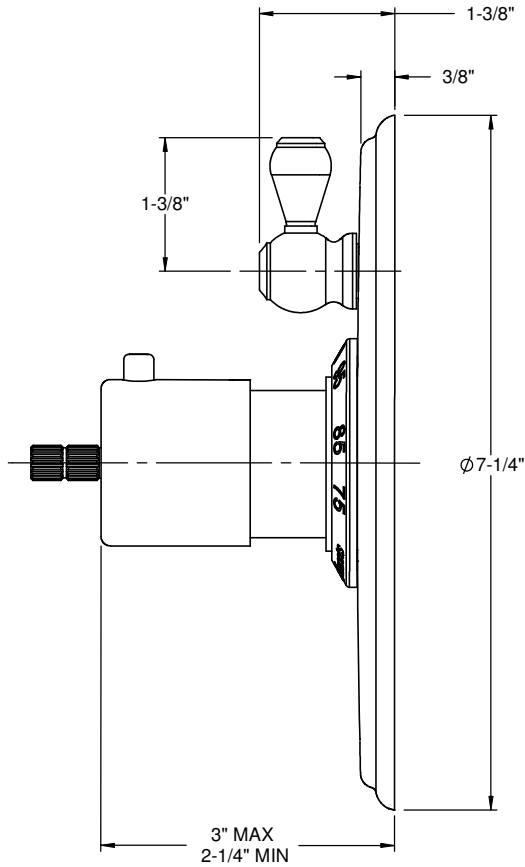
Codes/Standards Applicable

Specified model meets or exceeds the following:

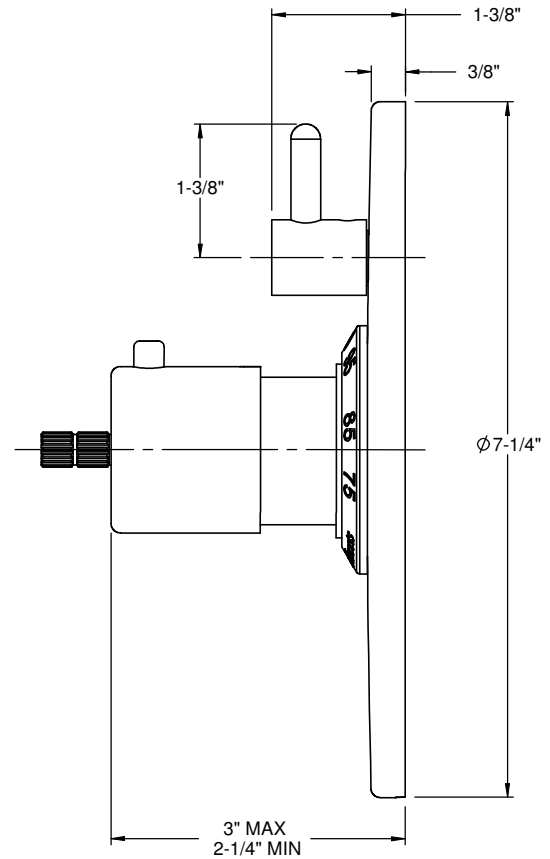
- ASME A112.18.1-2005/CSA B125.1-05
- ASSE 1016
- ADA (with lever handles)
- Listed IAPMO/C UPC®

XX = Series Handle

Traditional Faceplate



Contemporary Faceplate



ALL DIMENSIONS SHOWN TO NEAREST 1/16"