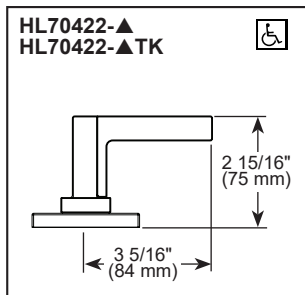
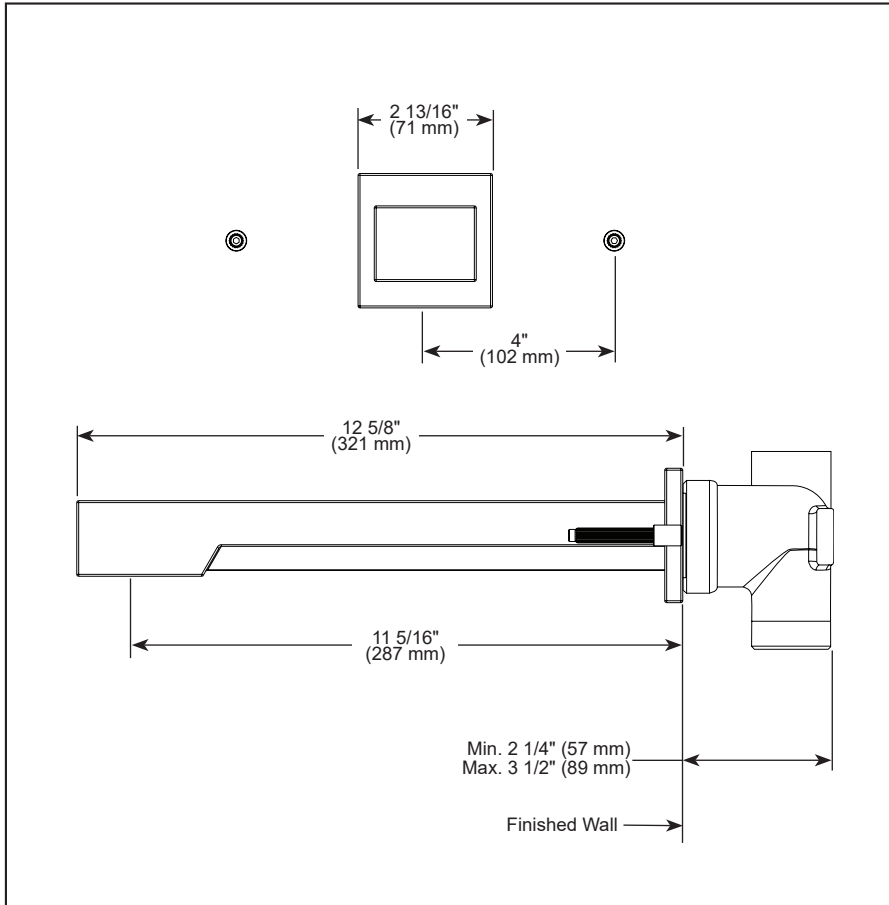


T70422-▲LHP

Submitted Model No.: \_\_\_\_\_

Specific Features: \_\_\_\_\_



▲ Designate proper finish suffix

# BRIZO®

## TWO HANDLE WALL MOUNT TUB FILLER

■ Frank Lloyd Wright® Bath Collection  
by Brizo®

### STANDARD SPECIFICATIONS:

- Max flow rate 9.3 gpm @ 60 psi, 35.2 L/min @ 414 kPa
- Trim only, rough-in R70400 required for installation
- Three hole mount, 8" center-to-center
- Hot and cold ceramic control valves (90° max. rotation)
- Optional RP92777 will accommodate up to max 4 1/2" depth - extension kit sold separately
- Solid brass construction
- Drain not included
- Handles sold separately, available in solid metal or metal with wood lever handles

### WARRANTY

- Parts and Finish - Lifetime limited warranty; or for commercial purchasers, 10 years for multi-family residential (apartments and condominiums) and 5 years for all other commercial uses, in each case from the date of purchase.
- Electronic Parts and Batteries (if applicable) - 5 years from the date of purchase; or for commercial purchasers, 1 year from the date of purchase. No warranty is provided on batteries.

**⚠ WARNING:** Risk of personal injury. Do not use the tub filler as a grab bar or support bar. Install this product according to the installation guide.

### COMPLIES WITH:

- ASME A112.18.1 / CSA B125.1
- ☑ Indicates compliance to ICC/ANSI A117.1

