

BRIZO®

ACCESSORIES

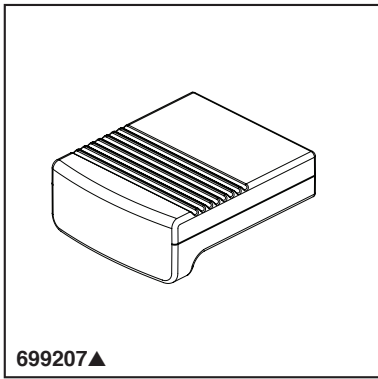
- Kintsu™ Collection
- Bin Knob

STANDARD SPECIFICATIONS:

- Mounting hardware included with product
- All metal construction

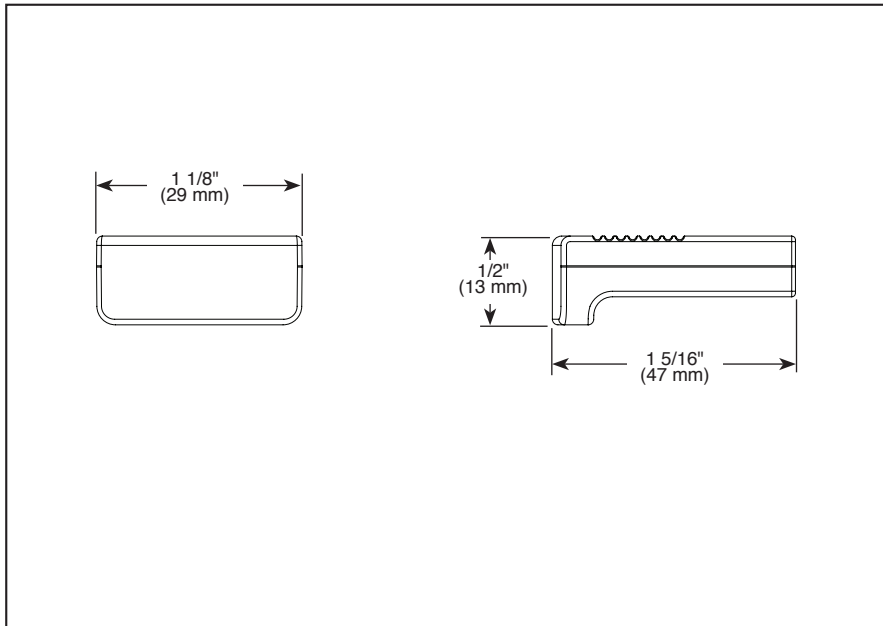
WARRANTY

- Parts and Finish - Lifetime limited warranty; or for commercial purchasers, 10 years for multi-family residential (apartments and condominiums) and 5 years for all other commercial uses, in each case from the date of purchase.
- Electronic Parts and Batteries (if applicable) - 5 years from the date of purchase; or for commercial purchasers, 1 year from the date of purchase. No warranty is provided on batteries.



Submitted Model No.: _____

Specific Features: _____



▲ Designate proper finish suffix