

# BAIN DE VILLE 6632

66" x 32" x 20"

Designed for the urban environment, Bain de Ville immediately brings a touch of modern refinement to any alcove bathroom space. Strong lines, integrated skirt, a wider deck and subtle but purposeful accents make a bold statement.



## PRODUCT NO.

| MODEL          | TMU          | TUB          |
|----------------|--------------|--------------|
| Alcove - Left  | BBVIRA0LT-XX | BBVIRA0LN-XX |
| Alcove - Right | BBVIRA0RT-XX | BBVIRA0RN-XX |

| THERMOMASSEUR (TMU)<br>Hydro-thermo massage • Air jet system | \$5,085  |
|--|----------|
| Jets   | 44       |
| 1 heated backrest  | Included |
| Mia® Control (not installed)                                 | Included |
| BU-Touch Control Application <b>BUTOUCH</b>                  | \$430    |
| Geysair®   | Included |
| AromaCloud® <b>BAROMAC</b>                                   | \$490    |
| AromaFlow*** <b>BAROMAF</b> <b>NEW</b>                       | \$950    |
| Illuzio Chromatherapy <b>BCHRO6</b>                          | \$925    |

| TUB<br>Soaker                          | \$2,760               |
|--|-----------------------|
| AromaCloud® <b>BAROMAC</b>             | \$490                 |
| AromaFlow*** <b>BAROMAF</b> <b>NEW</b> | \$950                 |
| Illuzio Chromatherapy <b>BCHRO6</b>    | \$925                 |
| WarmTouchShell® <b>BWTS</b>            | \$1,125               |
| DOT control                            | Included with therapy |

## FEATURES

|  |                      |              |    |
|--|----------------------|--------------|----|
| Installation type                                      | Alcove (3 walls)     |              |    |
| Integrated skirt & tile flange (specify right or left) | Installed & Included |              |    |
| No. of bathers   |                      | Imp. gallons | 52 |
| US gallons   | 62                   |              |    |

## INTEGRATED WASTE & OVERFLOW **BOVERINI-XX**

|   |                      |
|---|----------------------|
| White <b>01</b> , Biscuit <b>02</b> , Chrome <b>07</b> , Brushed Nickel <b>09</b> , Polished Nickel <b>10</b> , Matte White with UltraVelour finish <b>32</b> | Installed & Included |
|---|----------------------|

## STANDARD COLOR

|                                   |          |
|-----------------------------------|----------|
| White <b>01</b> Biscuit <b>02</b> | Included |
|-----------------------------------|----------|

## OPTIONS (UPCHARGE APPLICABLE)

### FINISH

|  |       |
|--|-------|
| UltraVelour Matte Finish (white only) <b>BVEL1</b> | \$650 |
|--|-------|

### CONTROL (TMU only)

|                            |       |
|----------------------------|-------|
| MiaPlus** <b>BMIAP1-XX</b> | \$285 |
|----------------------------|-------|

### UNIVERSAL ARMRESTS **BGBGU-XX**

|                 |       |
|-----------------|-------|
| White <b>01</b> | \$750 |
|-----------------|-------|

### INTEGRATED WASTE & OVERFLOW **BOVERINI-XX**

|   |       |
|---|-------|
| Matte Black <b>19</b> , Satin Brass <b>18</b> | \$120 |
|---|-------|

### WASTE & OVERFLOW 16" x 35" **BOVER16-XX**

|                  |       |
|------------------|-------|
| Chrome <b>07</b> | \$260 |
|------------------|-------|

|                                     |       |
|-------------------------------------|-------|
| White <b>01</b> , Biscuit <b>02</b> | \$290 |
|-------------------------------------|-------|

|  |       |
|--|-------|
| Brushed Nickel <b>09</b> , Polished Nickel <b>10</b> , Oil-rubbed Bronze <b>11</b> | \$400 |
|--|-------|

### IF REQUIRED BY CONSTRUCTION CODE

|  |       |
|--|-------|
| Brass waste & overflow kit** <b>BDRCOB</b> | \$240 |
|--|-------|

|                                |      |
|--------------------------------|------|
| Brass waste kit** <b>BDRCB</b> | \$60 |
|--------------------------------|------|

|  |       |
|--|-------|
| 16" x 35" Cable driven brass waste & overflow kit <b>BOVERBR</b> | \$240 |
|--|-------|



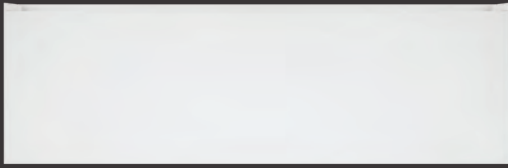
With the AromaCloud® and/or Control on the deck, a complete shower door cannot be installed.

Don't forget to specify the finish of the integrated waste & overflow.

\* The MiaPlus® Control is included when purchasing Chromatherapy on a TMU.

\*\* When ordered with integrated waste & overflow.

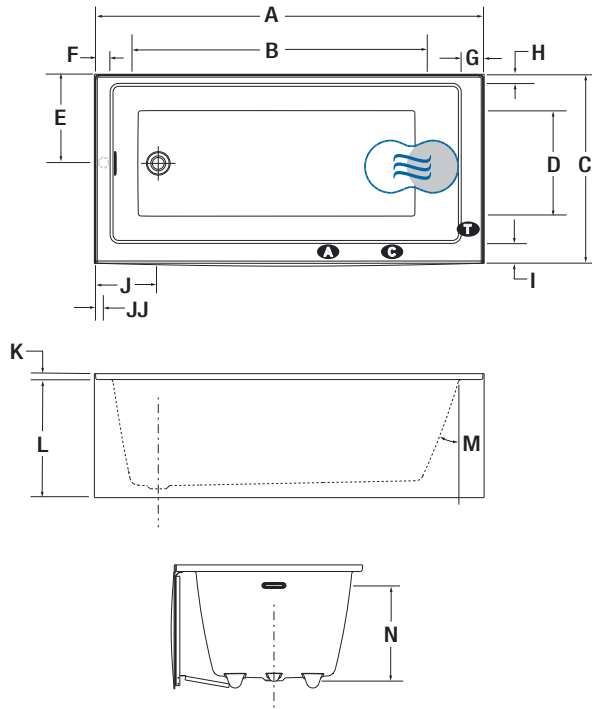
\*\*\* When ordering an AromaFlow, an Integrated waste & overflow is mandatory (Included). Specify the finish of the waste.



## BAIN DE VILLE 6632



### INSTALLATION



| LETTER | DESCRIPTION   | MEASURE         |
|--------|---|-----------------|
| A      | Total length  | 66"             |
| B      | Bathing well length   | 50 5/8"         |
| C      | Total width   | 32"             |
| D      | Bathing well width  | 21 3/8"         |
| E      | Outer edge to center drain (right side)                             | 15 1/8"         |
| F      | Deck width (drain side)   | 3 3/16"         |
| G      | Deck width (backrest)   | 4 3/8"          |
| H      | Deck width (wall side)  | 2"              |
| I      | Deck width (skirt side)   | 3 7/8"          |
| J      | Outer edge to center drain<br>Integrated waste & overflow (front)   | 10 7/8"         |
| JJ     | Outer edge to center of overflow<br>Waste & overflow 16" x 35" only | 2 5/16"         |
| K      | Tile flange height  | 1"              |
| L      | Height from floor to bottom of deck                                 | 20"             |
| M      | Slope of backrest   | 21°             |
| N      | Maximum water level<br>Maximum water level with AromaFlow           | 16"<br>14 5/16" |

- A** AromaCloud® position
- G** Control position when factory-installed (Mia® or DOT)
- T** Turbine position (TMU)
- Indicates heated backrest (TMU)
- ☞ Indicates WarmTouchShell® position (TUB)

### TECHNICAL SPECIFICATIONS

|                                  |   |
|----------------------------------|---|
| <b>Hot water supply required</b> | The hot water supply should be 70% or more of the bath's total water capacity.  |
| <b>Turbine</b>                   | Turbine is factory installed, so access to the pump must be at least 18" x 22". <b>Standard connection is 20 A, 120 V, 60 Hz</b> , dedicated line with a Ground-Fault Circuit Interrupter (GFCI). <b>For any additional option, a second line is needed 15 A, 120 V, 60 Hz</b> , dedicated line with a GFCI. Air vent necessary: 2" x 4" minimum.   |
| <b>Others</b>                    | <ul style="list-style-type: none"> <li>- The Geysair® is located on the same side as the heated backrest. It must <b>NOT be relocated</b>. It must be <b>connected to the hot water supply</b> and be accessible (provide access).</li> <li>- Integrated tile flange is included (specify right or left).</li> <li>- The water level will be lower when an AromaFlow is installed.</li> </ul> |

Our products must be installed by certified professionals only and according to our Owner's Manual as well as federal, provincial/state and local building codes and regulations ([www.bainultra.com/dealers/dealer-documentation-and-catalog](http://www.bainultra.com/dealers/dealer-documentation-and-catalog)).

The specifications shown indicate the outer edge dimension and the inside bathing capacity dimension measured at air jets' height. The manufacturer accepts a 1/4" [0.64 cm] variance. There are variations on each product and specifications are subject to change as we improve upon our product as required. The dimensions needed for site preparation and structure building will differ. BainUltra® assumes no responsibility for preparatory work done prior to the product being on site.

|                                |          |
|--------------------------------|----------|
| <b>Approx. shipping weight</b> | 140 lb   |
| <b>Turbine power</b>           | 550 W    |
| <b>Air heater</b>              | 600 W    |
| <b>WARRANTY</b>                |          |
| Controls-LED-Geysair*          | 5 years  |
| Bath & turbine*                | 20 years |

\* Some restrictions apply | [www.bainultra.com/warranty](http://www.bainultra.com/warranty)