

artos[®]

PS128

OPERATING SPECIFICATIONS

premier series shower set



FEATURES

Solid Brass
3-Outlets

INCLUDES

F903B-58TK
F907-5
F907-60
F905-2 x 3

OPERATING PRESSURE

Minimum: 15 psi
Maximum: 75 psi
Above 90psi it may be necessary to install a pressure reducer

OPERATING TEMPERATURE

Maximum: 176°

FLOW CAPACITY

Hand Shower: 1.8 USGPM
Shower Head: 1.8 USGPM
Body Jets: 1.8 USGPM



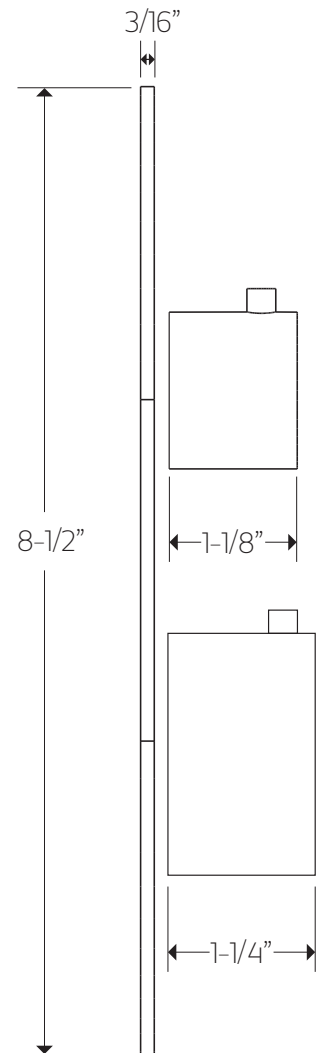
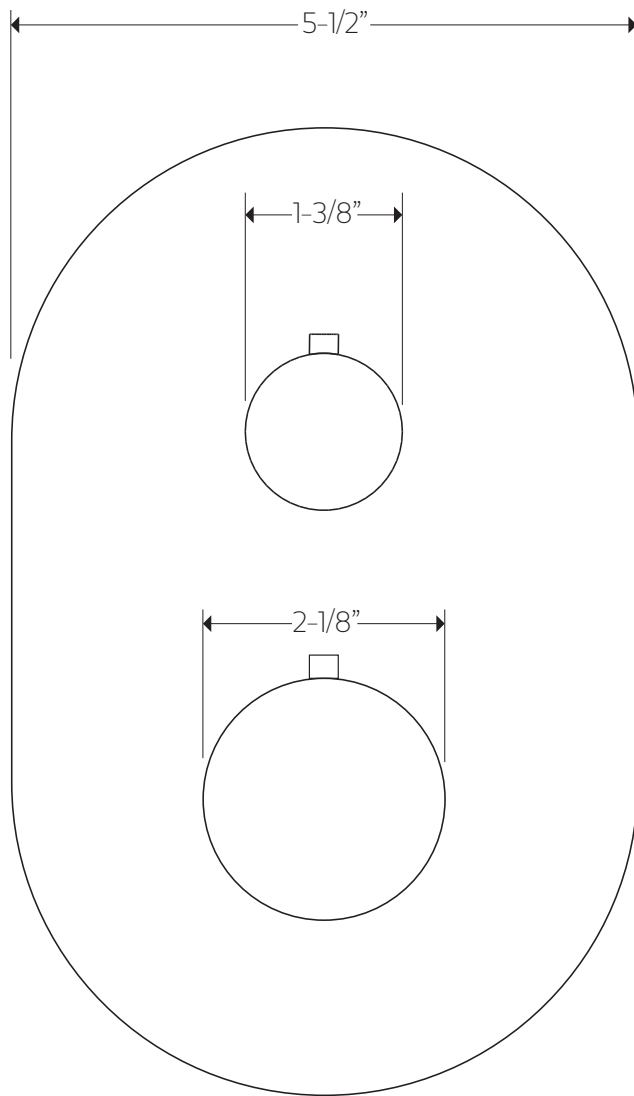
artos[®]

PS128

PRODUCT DIMENSIONS

premier series shower set

for trim kit



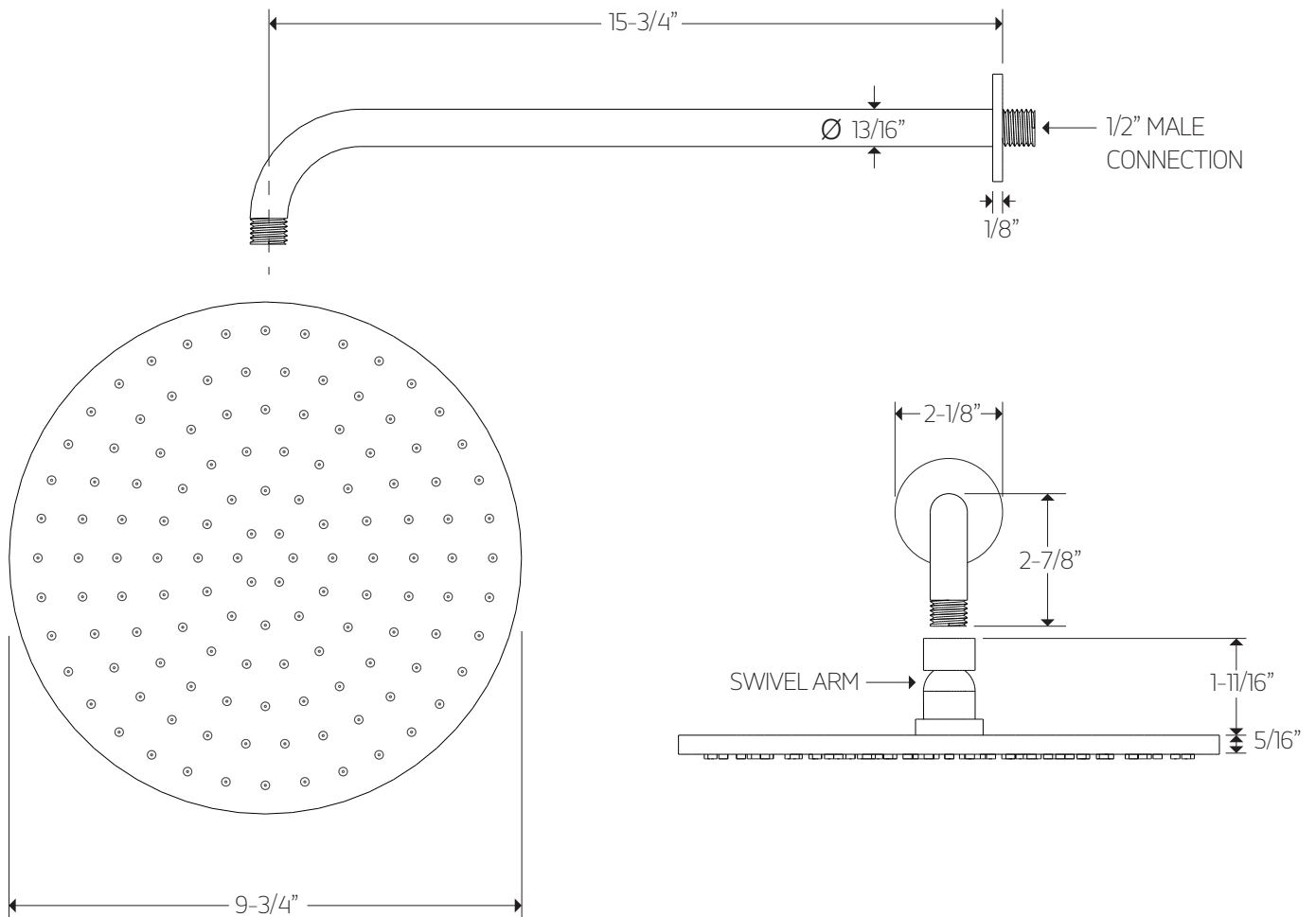
artos[®]

PS128

premier series shower set

PRODUCT DIMENSIONS

for shower head



artos[®]

PS128

PRODUCT DIMENSIONS

premier series shower set

for hand shower

