

artos[®]

C06090W

INSTALLATION GUIDE

cadiz towel warmer,
hardwired

BRUSHED NICKEL(BN)



CHROME(CH)



POLISHED NICKEL(PN)



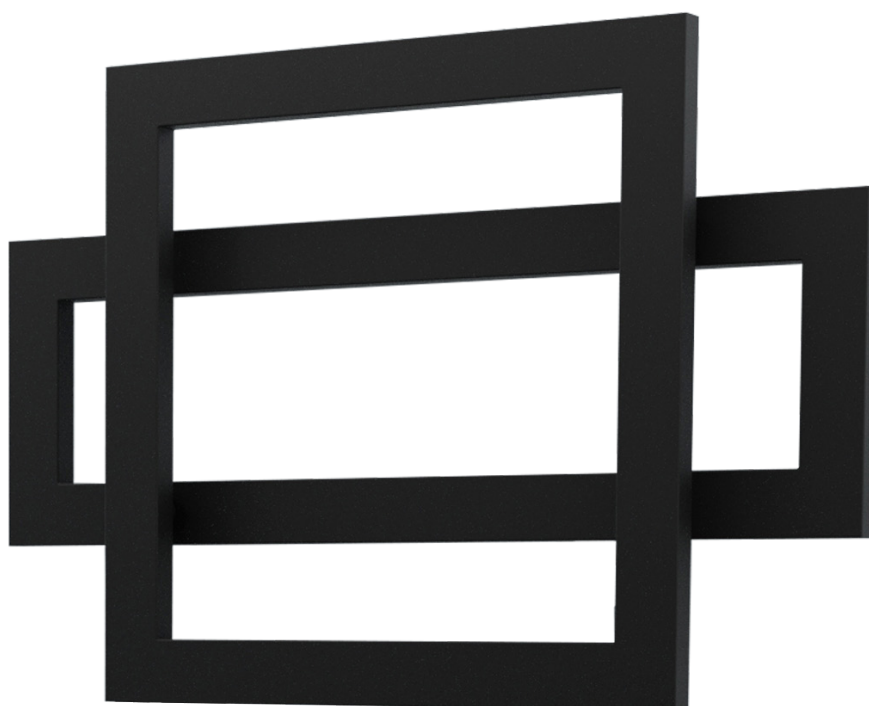
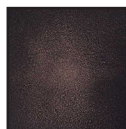
BLACK(BK)



WHITE(WH)



OIL-RUBBED BRONZE(OB)

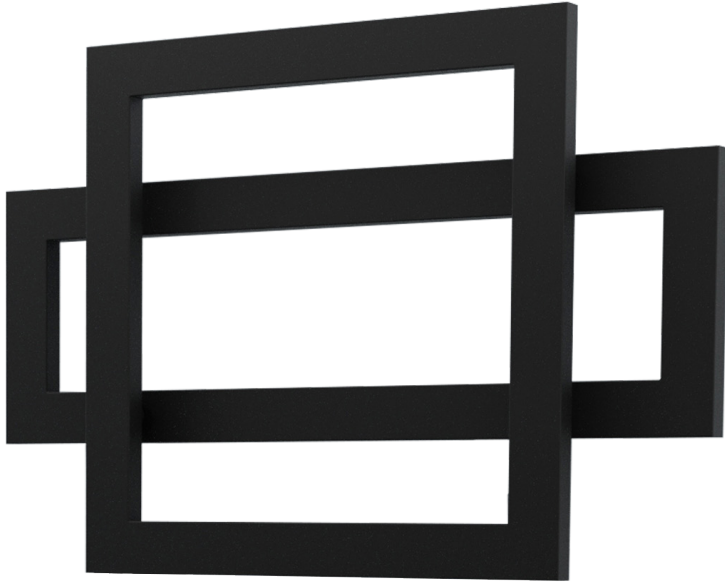


artos[®]

C06090W

OPERATING SPECIFICATIONS

cadiz towel warmer,
hardwired



FEATURES

Towel warming, drying and auxiliary heating.

ELEMENT

300W, 110V

CODES

UL Approved
CSA-US Approved

REQUIREMENTS

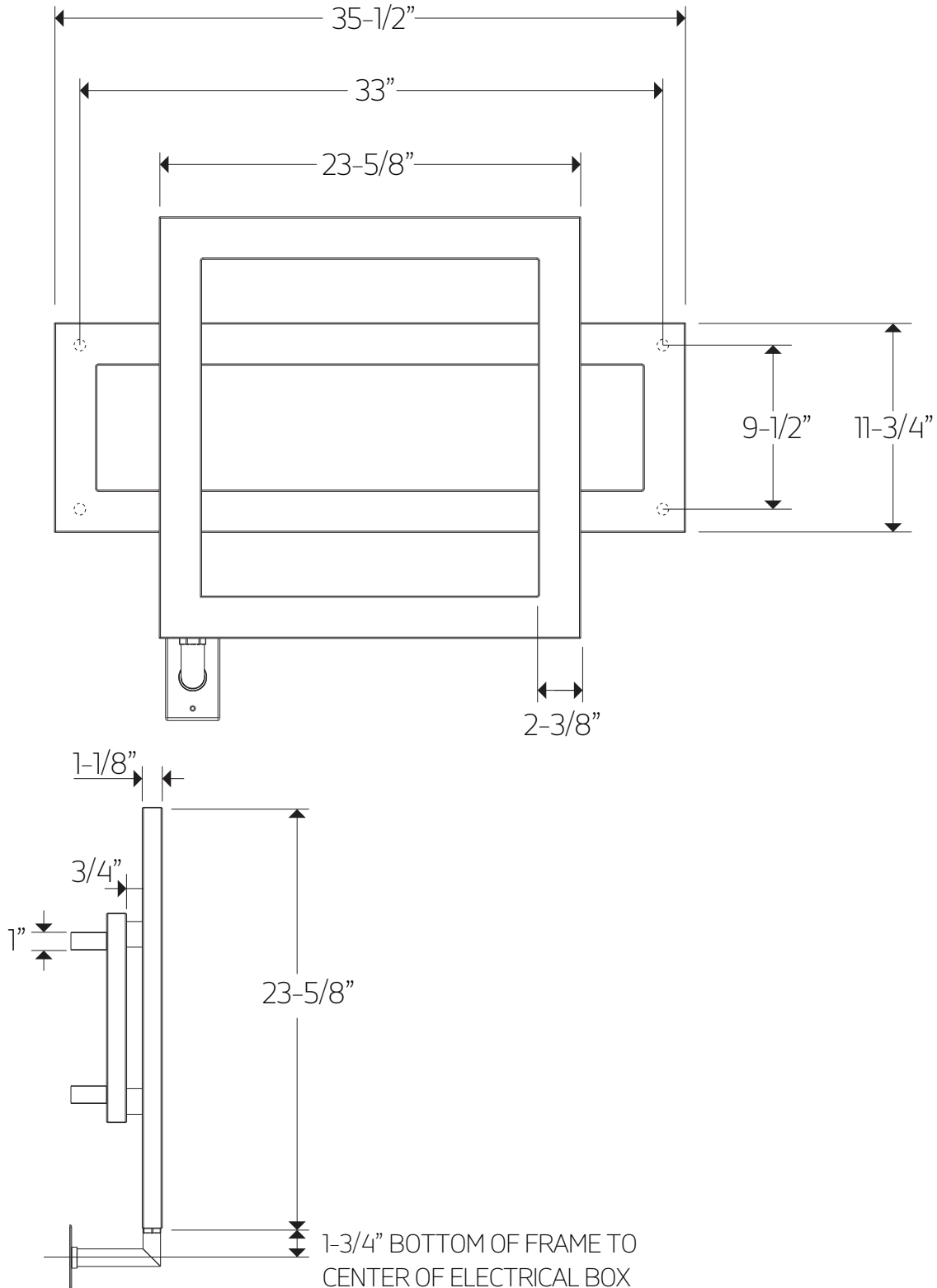
The towel warmer must be installed so that the Element is at the bottom.

artos[®]

C06090W

PRODUCT DIMENSIONS

cadiz towel warmer,
hardwired



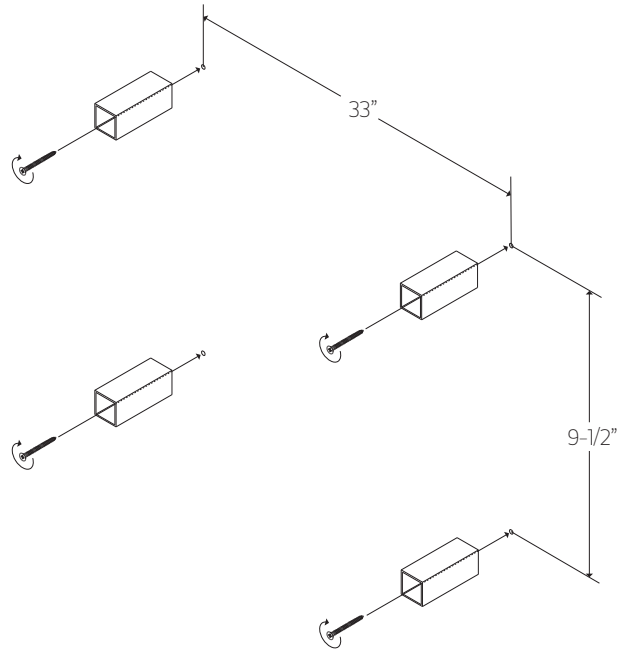
artos[®]

C06090W

cadiz towel warmer,
hardwired

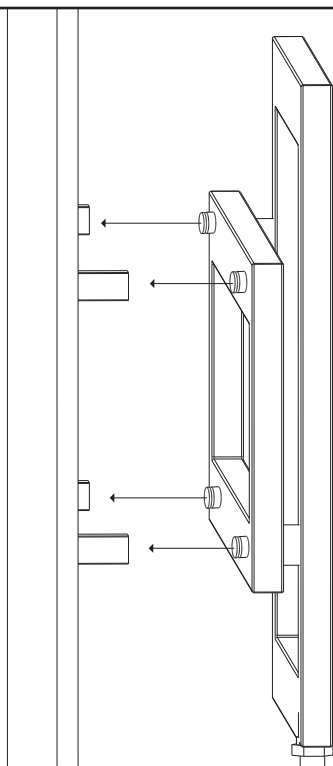
STEP 1

***ALL DIMENSIONS ARE APPROXIMATE. PLEASE MEASURE UNIT BEFORE INSTALLATION**



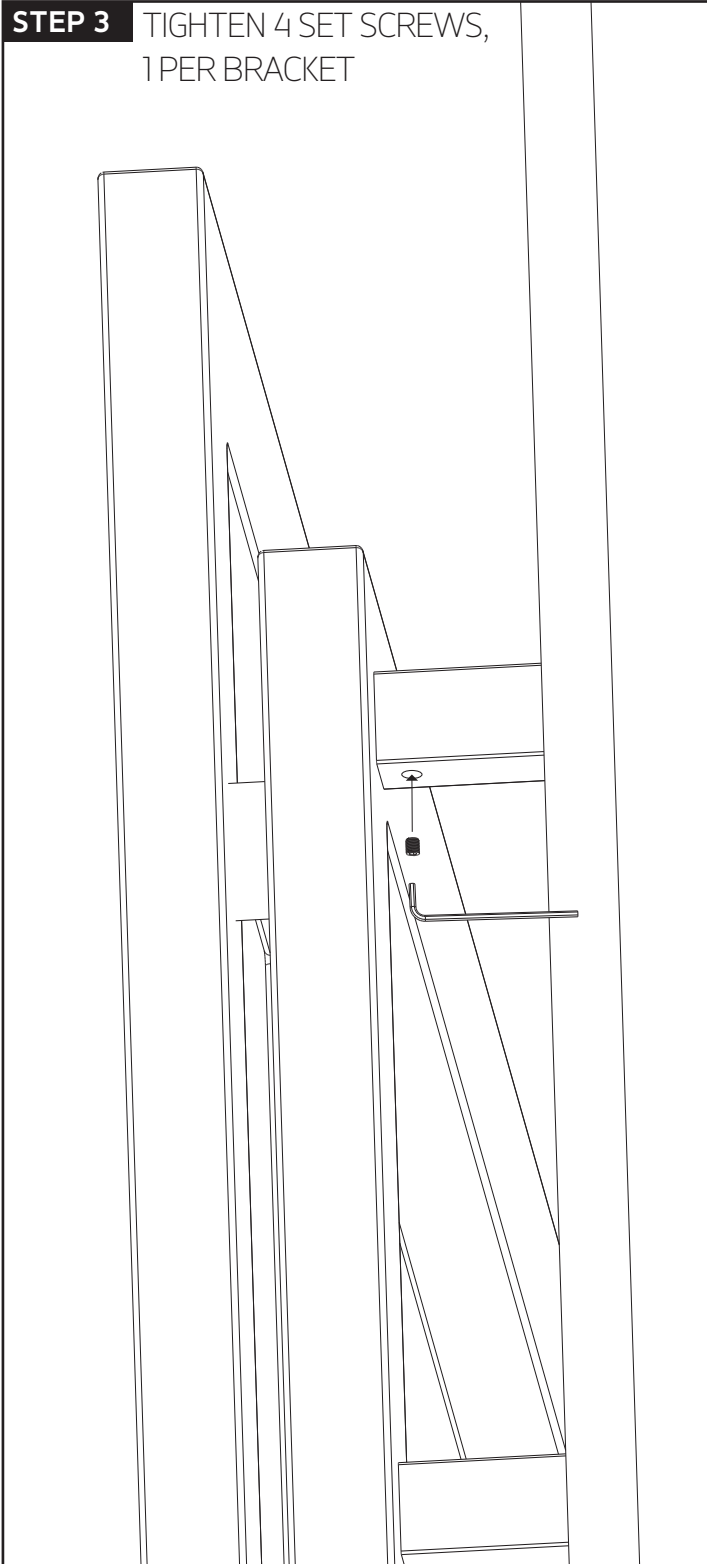
WE RECOMMEND THAT
AT LEAST 2 OF THE
WALL BRACKETS ARE
SECURED INTO A STUD
OR BACKER

STEP 2

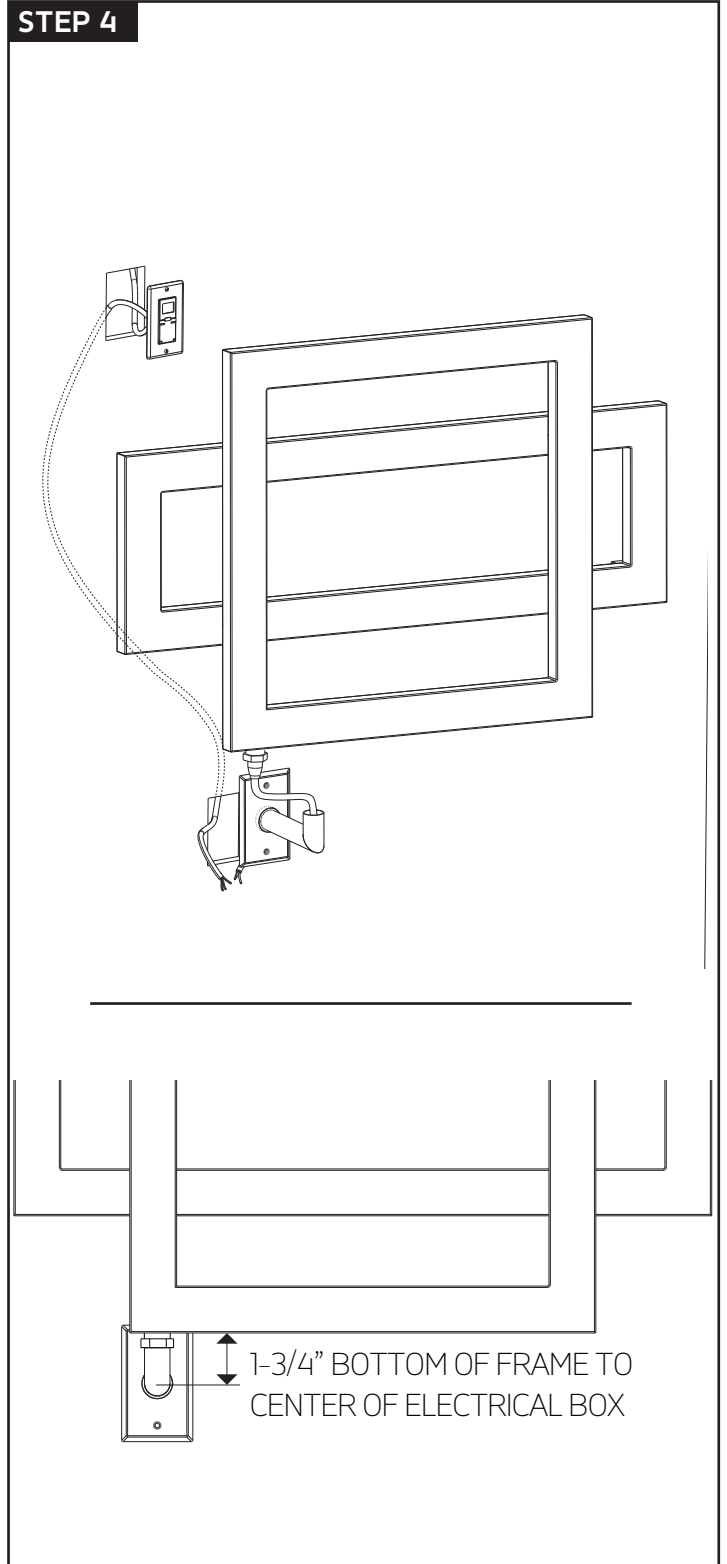


INSTALLATION STEPS

STEP 3 TIGHTEN 4 SET SCREWS,
1 PER BRACKET



STEP 4



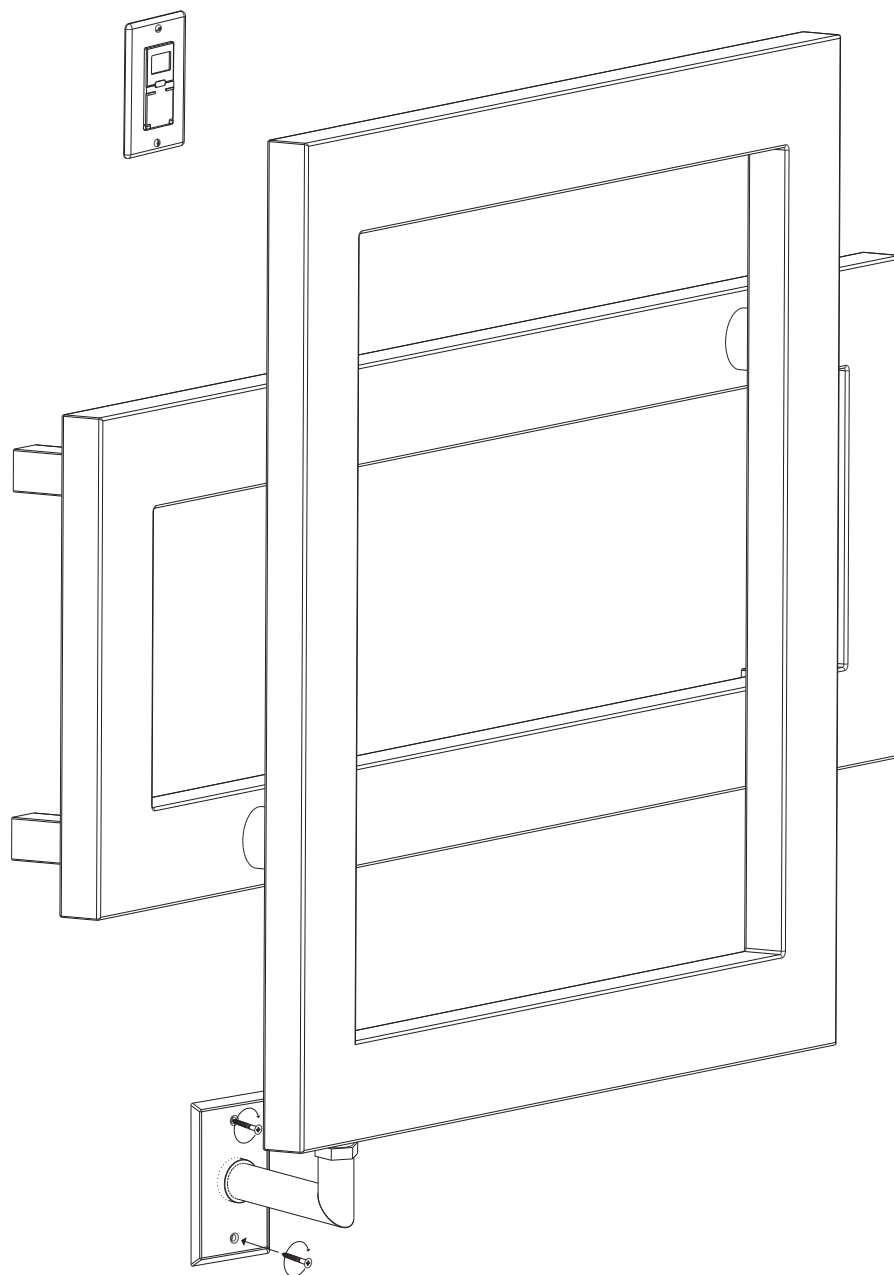
artos[®]

C06090W

cadiz towel warmer,
hardwired

INSTALLATION STEPS

STEP 5

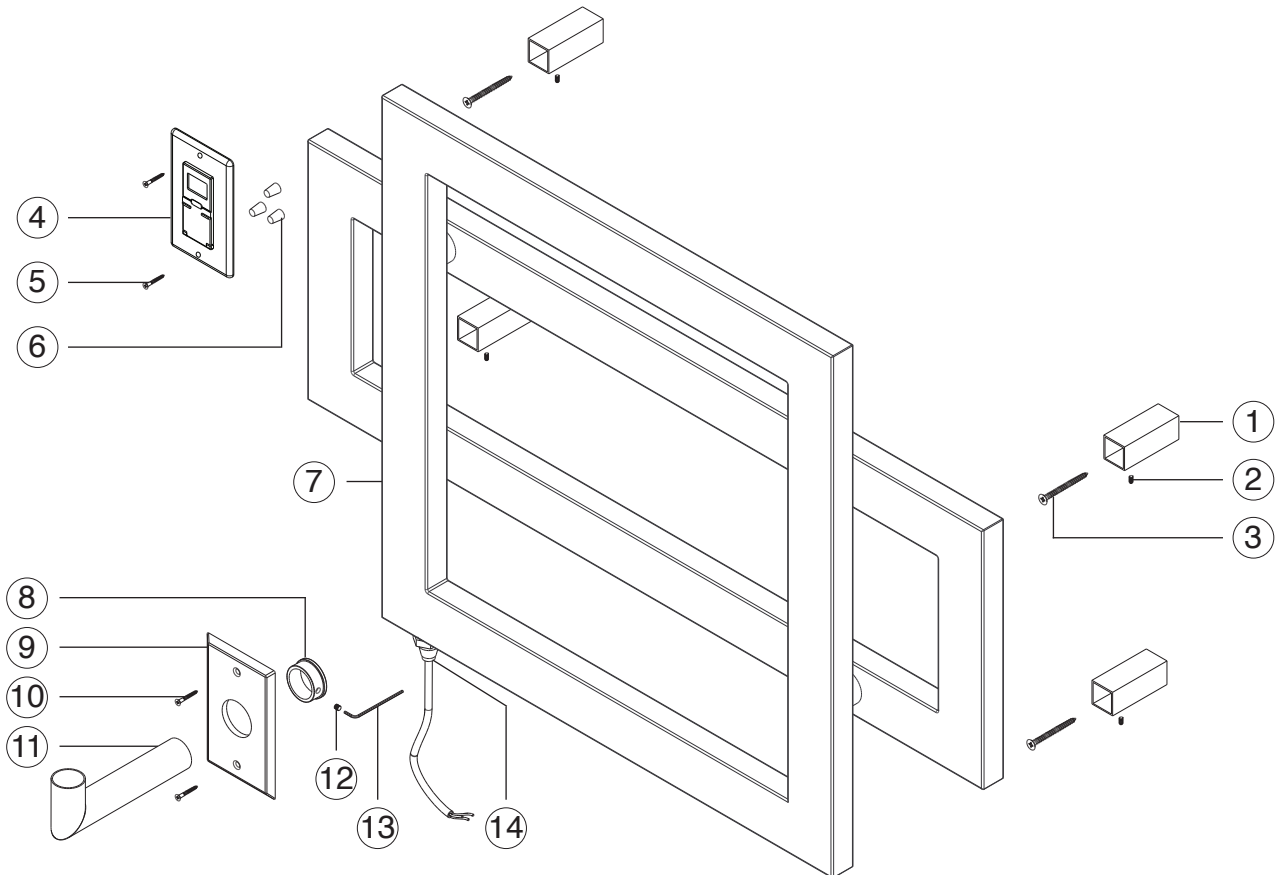


artos[®]

C06090W

PARTS BREAKDOWN

cadiz towel warmer,
hardwired



- ① **WALL BRACKET(4)** C06090W XP1
- ② **WALL BRACKET SET SCREW(4)** C06090W XP2
- ③ **WALL BRACKET SCREW(4)** C06090W XP3
- ④ **TIMER** C06090W XP4
- ⑤ **TIMER SCREWS(2)** C06090W XP5
- ⑥ **WIRE NUTS(3)** C06090W XP6
- ⑦ **TOWEL WARMER** C06090W XP7
- ⑧ **ELBOW SECURING SLEEVE** C06090W XP8
- ⑨ **BACKPLATE** C06090W XP9
- ⑩ **BACKPLATE SCREWS(2)** C06090W XP10
- ⑪ **ELBOW** C06090W XP11
- ⑫ **ELBOW SET SCREW** C06090W XP12
- ⑬ **ALLEN WRENCH** C06090W XP13
- ⑭ **ELEMENT** C06090W XP14

artos®

C06090W

cadiz towel warmer,
hardwired

DECORATIVE TOWEL DRYERS

Artos® Warranty Decorative Towel Dryers

Artos® towel dryers have been manufactured under the highest quality and manufacturing standards.

Artos® towel dryers have a 5-year warranty against leaks and manufacturing defects to the finish. The heating element itself has a 2-year warranty.

- Use a soft, dampened sponge or cloth. On no account should you use a abrasive material such as a brush, scouring pad or steel wool to clean surfaces.
- Test your cleaning agent solution on an inconspicuous area before applying to the entire faucet.
- Wipe surfaces clean and rinse completely with water immediately after applying cleaning agent.
- An ideal cleaning technique is to rinse faucet thoroughly and blot dry any water from the surface after each use.

This warranty applies to installations in the US, Canada and Mexico (North America). Commercial, Industrial or business uses are warranted for a period of one year from the original date of purchase. This warranty is non-transferable and applies exclusively to the original owner or end-user. If a defect is found during normal use, Artos® will, at its election, repair, replace or make an appropriate adjustment. Damage caused by accident, misuse, abuse, improper installation or alteration will void the warranty.

This warranty does not cover replacement parts where damage is caused by normal wear and tear. Labor charges, installation or other incidental or consequential costs will not be covered. Replacement parts that qualify for warranty repair can be obtained by contacting Artos® at 1-877-9ARTOS9 or by e-mail at info@artos.us.com.

Proof of purchase (original sales receipt) from the original consumer purchaser must accompany all warranty claims. When submitting your claim in writing, please provide your name, address and telephone number.

Please register this product online at WWW.ARTOS.US.COM